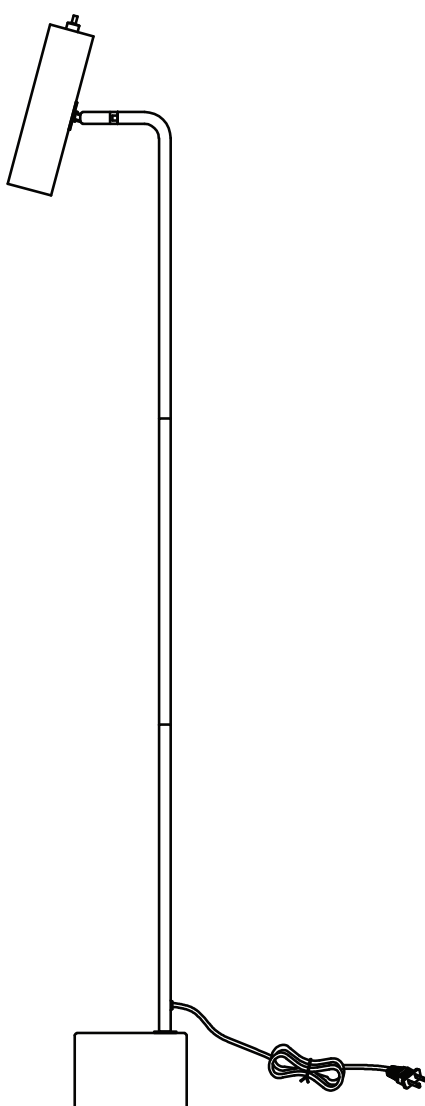


# ARTICLE.

VERSION 1.0

## Assembly Instructions



# CRANE

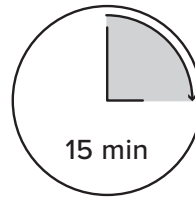
Floor Lamp

## ASSEMBLY INSTRUCTIONS

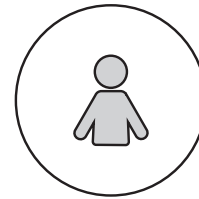
Read these instructions carefully and keep for future reference. Refer to parts inventory for guidance, and ensure you have all pieces before starting.

When assembling, place all parts on a soft, clean, and flat surface such as a carpet to prevent scratches.

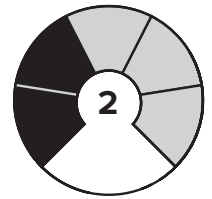
If you're having difficulty, our friendly Customer Care team is always here to help. Call us at **1.888.746.3455** during business hours, email [service@article.com](mailto:service@article.com) or chat live at [article.com](https://www.article.com).



TIME




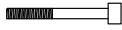



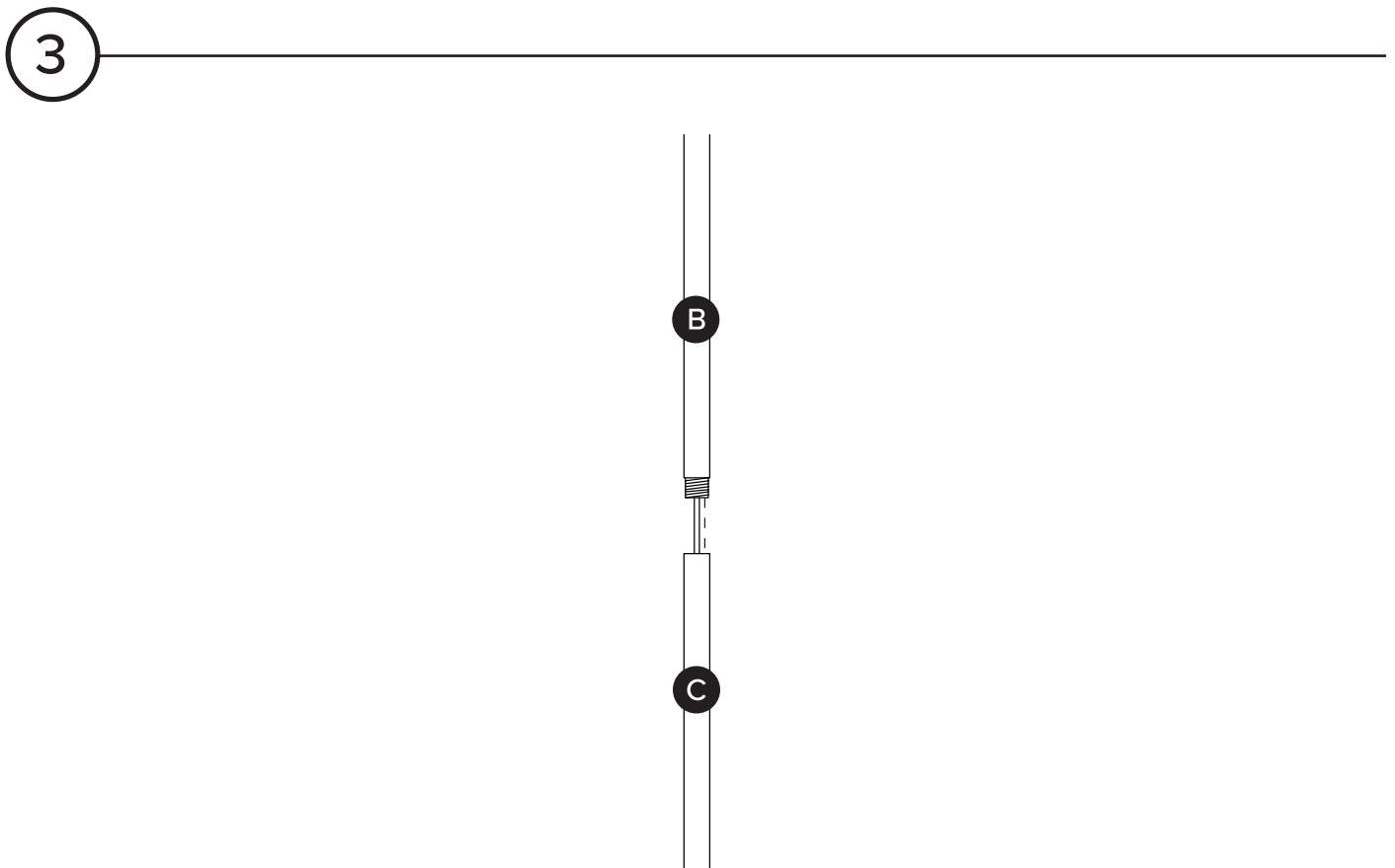
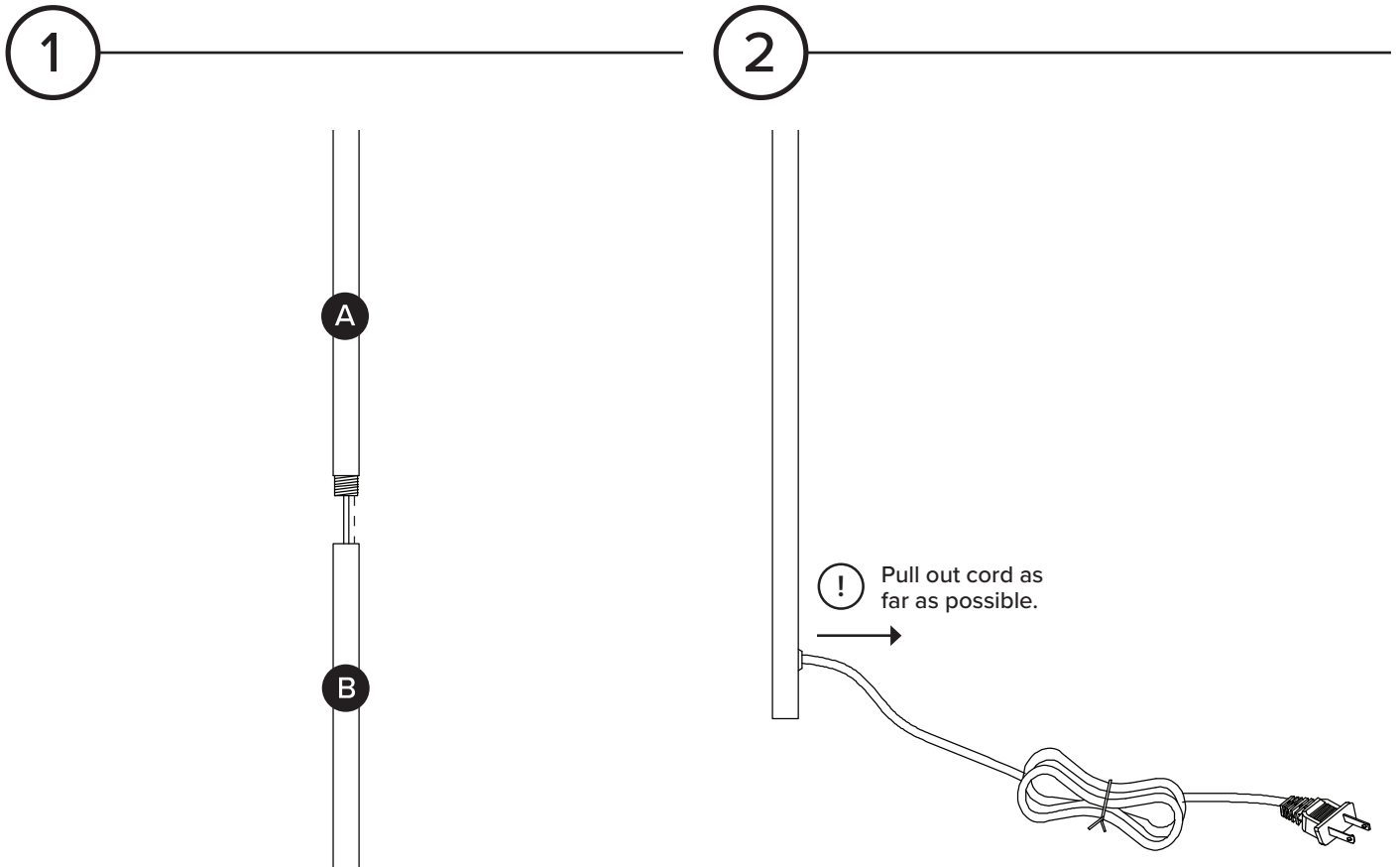
# OF PEOPLE



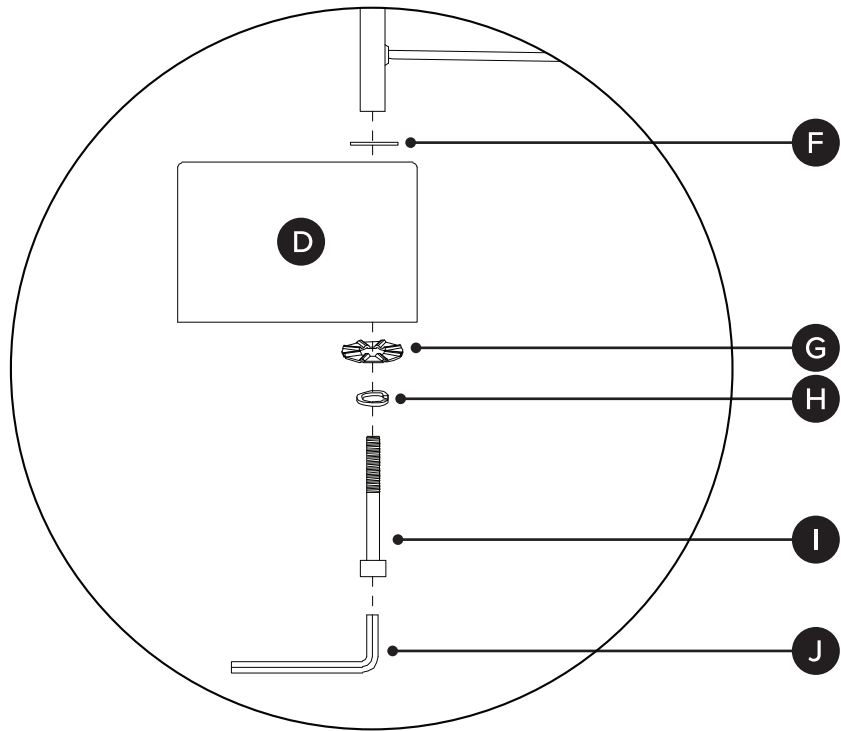
DIFFICULTY

PARTS INVENTORY		
ID	DESCRIPTION	QTY
<b>A</b>	LAMP TOP SEGMENT	1
<b>B</b>	LAMP MIDDLE SEGMENT	1
<b>C</b>	LAMP BOTTOM SEGMENT	1
<b>D</b>	BASE	1
<b>E</b>	BULB	1

PARTS INVENTORY CONT.		
ID	DESCRIPTION	QTY
<b>F</b>	FLAT WASHER 	1
<b>G</b>	WASHER 	1
<b>H</b>	LOCK WASHER 	1
<b>I</b>	BOLT 	1
<b>J</b>	ALLEN KEY 	1



4



5

