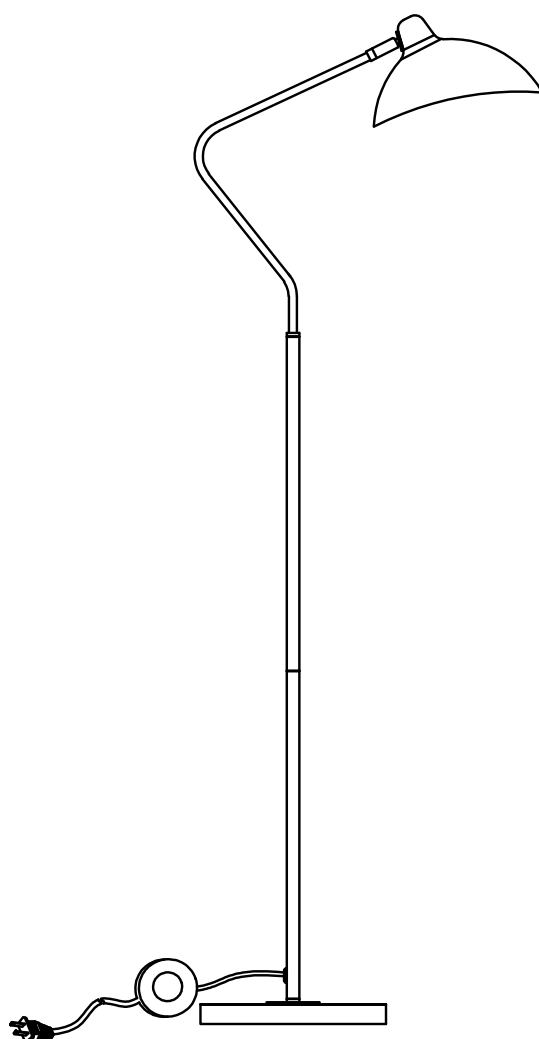


ARTICLE.

VERSION 1.0

Assembly Instructions



LEAP

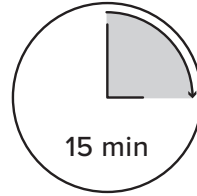
Floor Lamp

ASSEMBLY INSTRUCTIONS

Read these instructions carefully and keep for future reference. Refer to parts inventory for guidance, and ensure you have all pieces before starting.

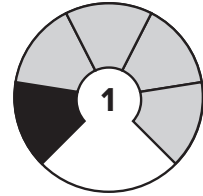
When assembling, place all parts on a soft, clean, and flat surface such as a carpet to prevent scratches.

If you're having difficulty, our friendly Customer Care team is always here to help. Call us at **1.888.746.3455** during business hours, email service@article.com or chat live at [article.com](https://www.article.com).



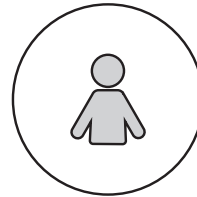
15 min

TIME

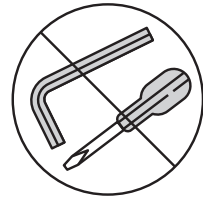


1

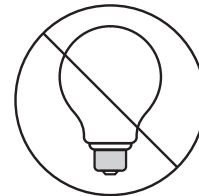
DIFFICULTY



OF PEOPLE



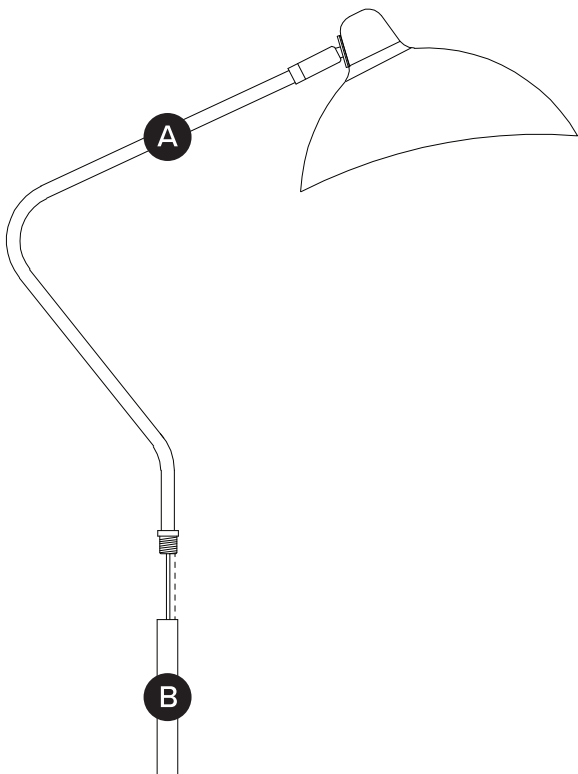
TOOL FREE



BULB NOT INCLUDED
E26 / MAX 40W

PARTS INVENTORY		
ID	DESCRIPTION	QTY
A	LAMP TOP SEGMENT	1
B	LAMP MIDDLE SEGMENT	1
C	LAMP BOTTOM SEGMENT	1
D	BASE	1

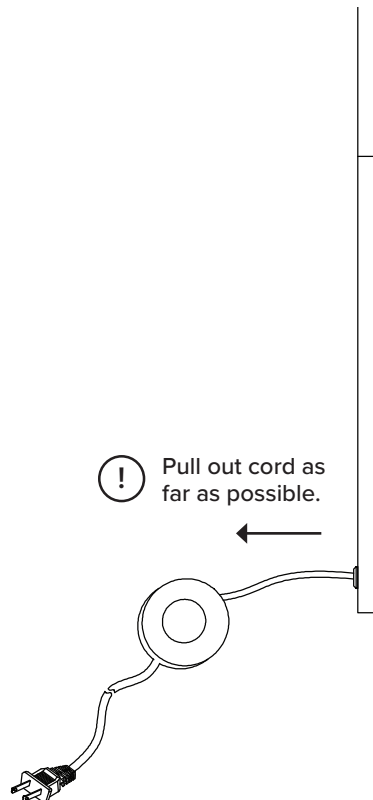
1



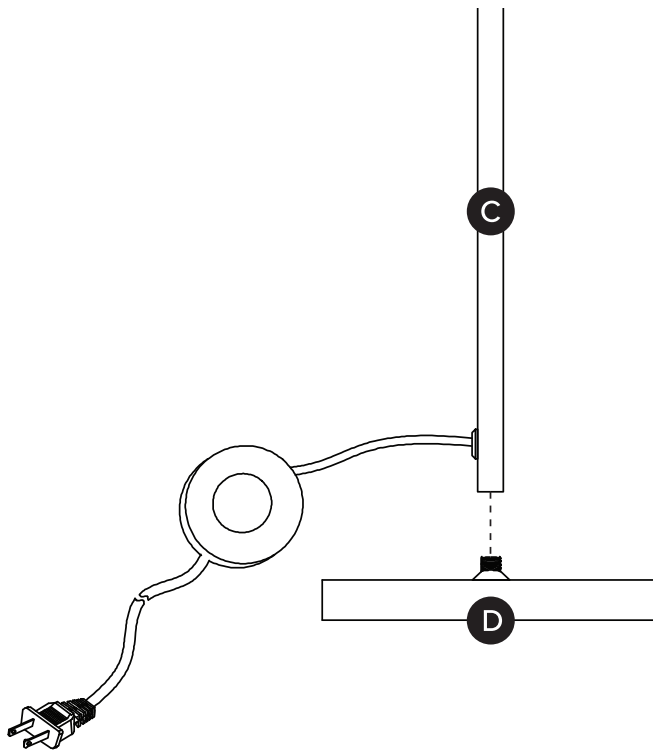
2



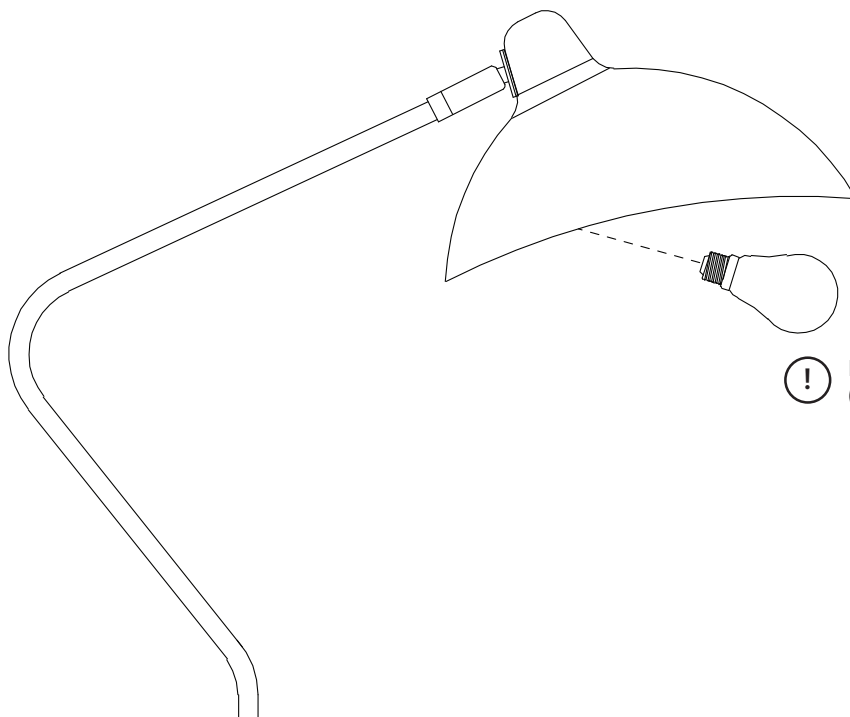
3



4



5



⚠ E26 bulb MAX 40W
(not included)