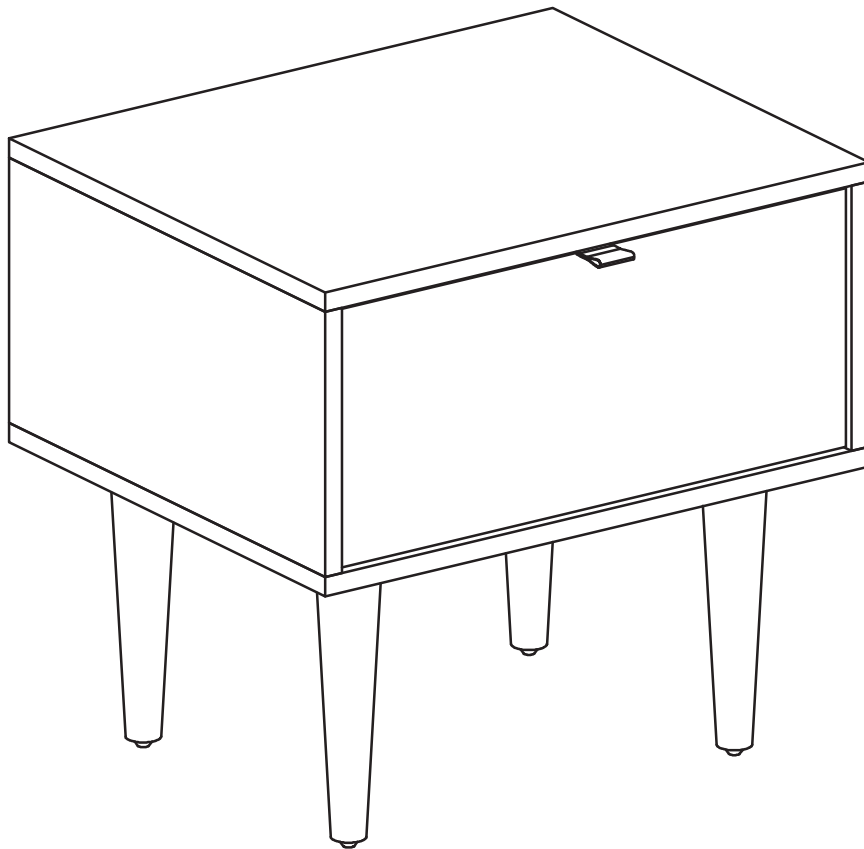


ARTICLE.

VERSION 1.0

Assembly Instructions



ENVELO

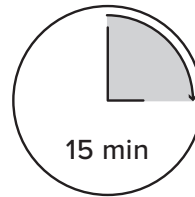
1 Drawer Nightstand

ASSEMBLY INSTRUCTIONS

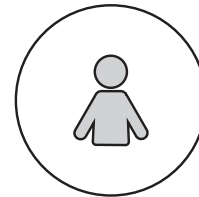
Read these instructions carefully and keep for future reference. Refer to parts inventory for guidance, and ensure you have all pieces before starting.

When assembling, place all parts on a soft, clean, and flat surface such as a carpet to prevent scratches.

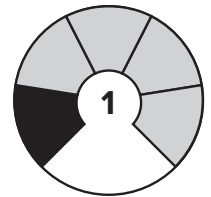
If you're having difficulty, our friendly Customer Care team is always here to help. Call us at **1.888.746.3455** during business hours, email service@article.com or chat live at [article.com](https://www.article.com).





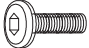
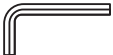
TIME



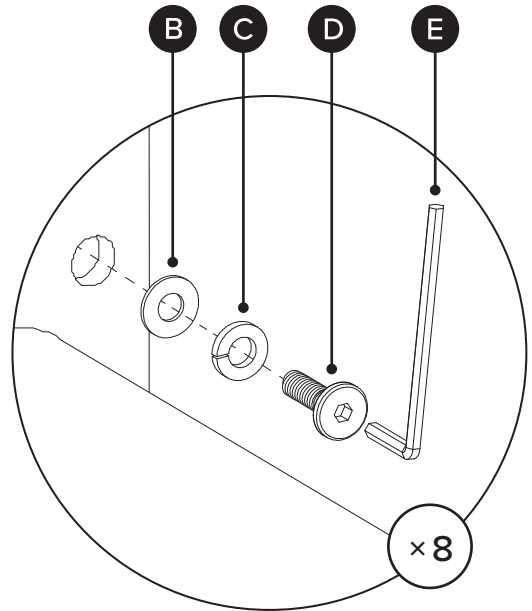
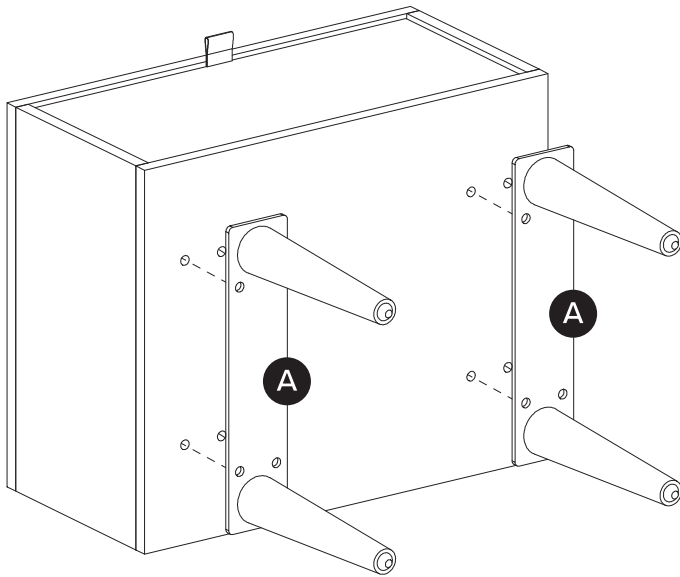
OF PEOPLE



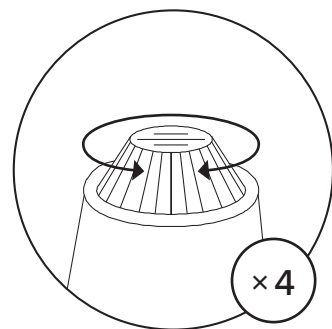
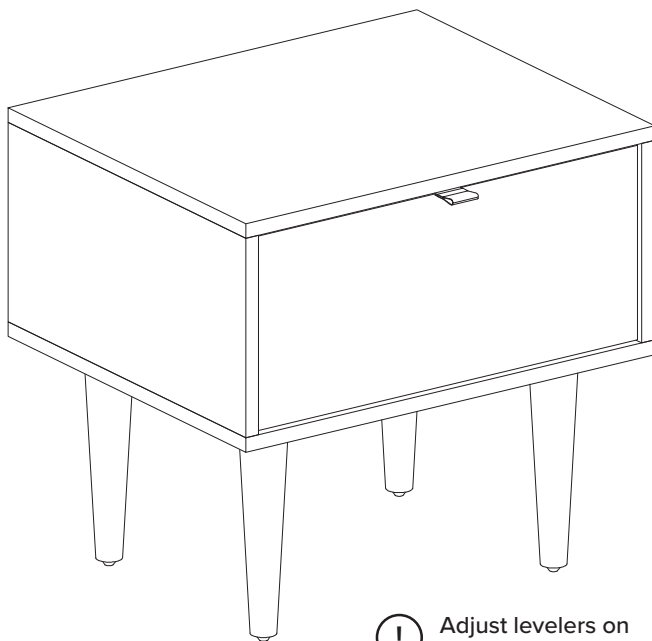
DIFFICULTY

PARTS INVENTORY		
ID	DESCRIPTION	QTY
A	LEGS	2
B	M6 × 18MM WASHER 	8
C	M6 × 12MM LOCK WASHER 	8
D	M6 × 20MM BOLT 	8
E	ALLEN KEY 	1

1



2



! Adjust levelers on legs as needed.