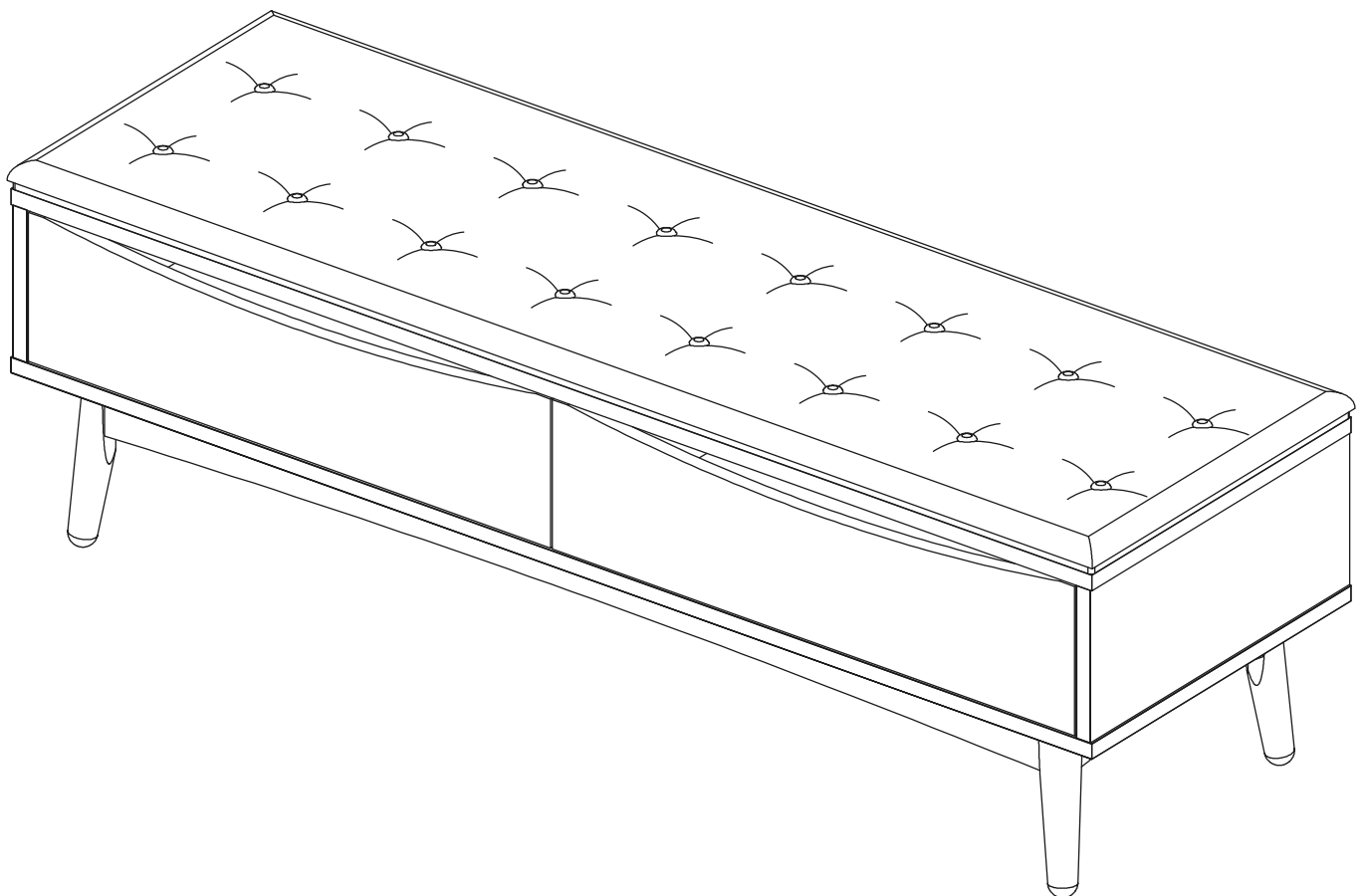


ARTICLE.

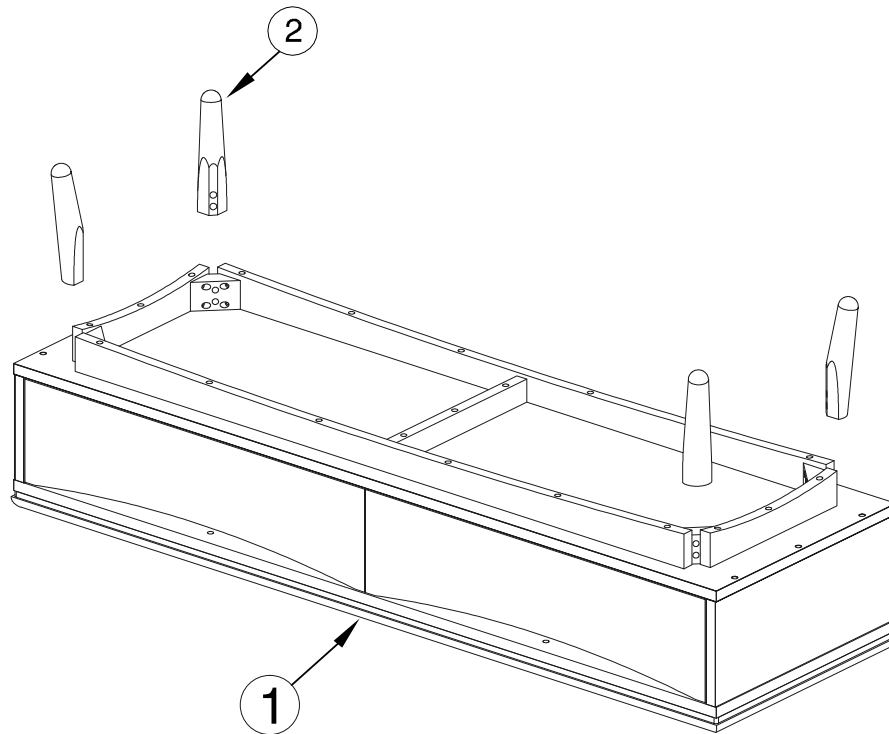
Assembly Instructions

CULLA bench - Walnut

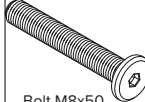


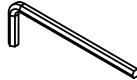


Assembly Instructions

CULLA bench - Walnut



PARTS LIST (Included)		
PART ID	QUANTITY	DIMENSIONS (INCH)
1	1	56.6" x 17.7" x 12.2"
2	4	2" x 2" x 8"

HARDWARE (Included)		
A = 08 PCS  Bolt M8x50 M0.3"x2"	B = 08 PCS  Ø12 x H2 Ø0.5"xH0.1"	C = 08 PCS  Ø19 x H1 Ø0.7"xH0.1"
D = 01 PCS  Allen key K4x106 K4 x 4.17"		

Assembly Instructions

CULLA bench - Walnut

