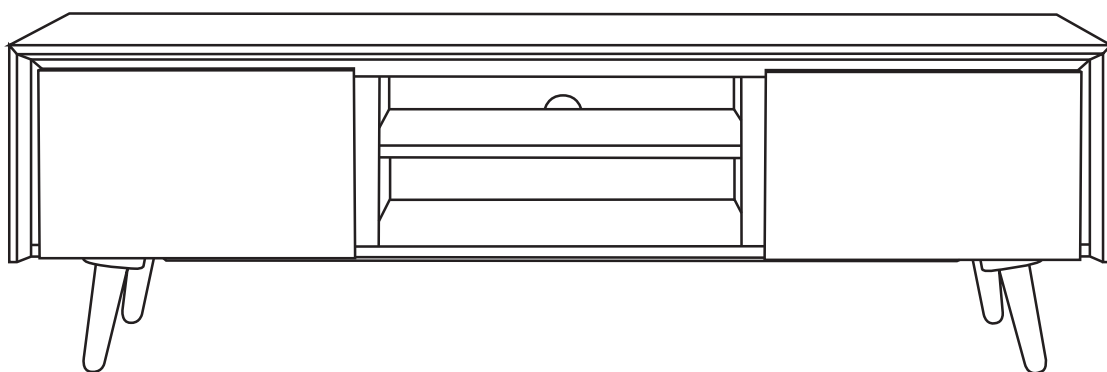


# ARTICLE.

VERSION 1.0

## Assembly Instructions



# SENO

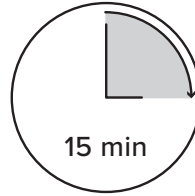
Media Unit

### ASSEMBLY INSTRUCTIONS

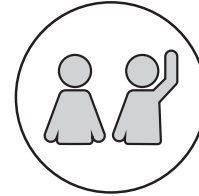
Read these instructions carefully and keep for future reference. Refer to parts inventory for guidance, and ensure you have all pieces before starting.

When assembling, place all parts on a soft, clean, and flat surface such as a carpet to prevent scratches.

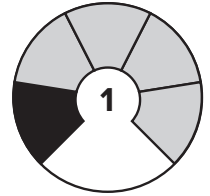
If you're having difficulty, our friendly Customer Care team is always here to help. Call us at **1.888.746.3455** during business hours, email [service@article.com](mailto:service@article.com) or chat live at [article.com](http://article.com).



TIME

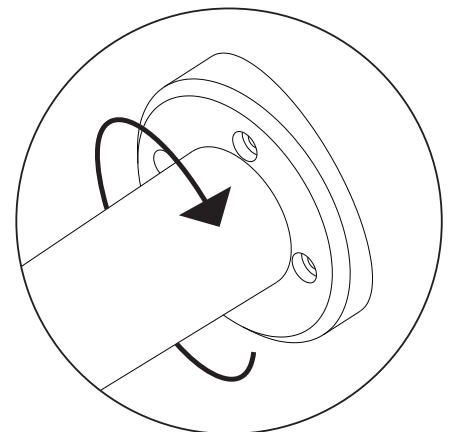
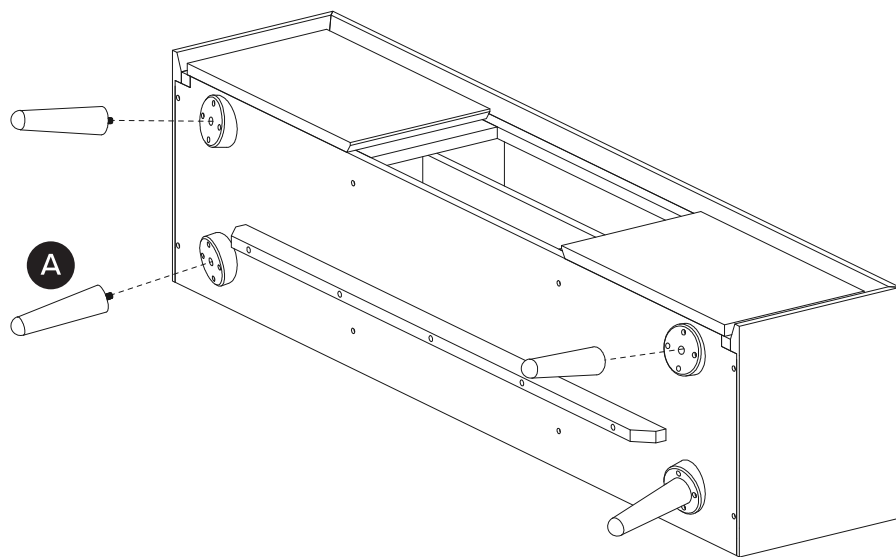


# OF PEOPLE



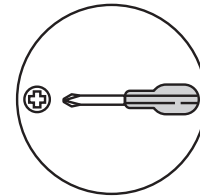
DIFFICULTY

PARTS INVENTORY		
ID	DESCRIPTION	QTY
A	LEGS	4



## DOOR ADJUSTMENT INSTRUCTIONS

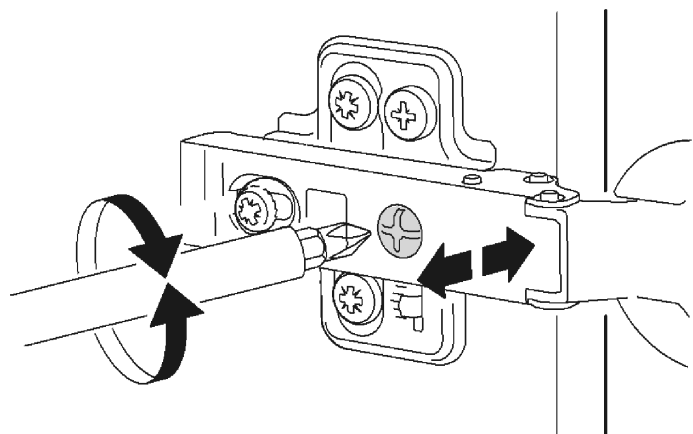
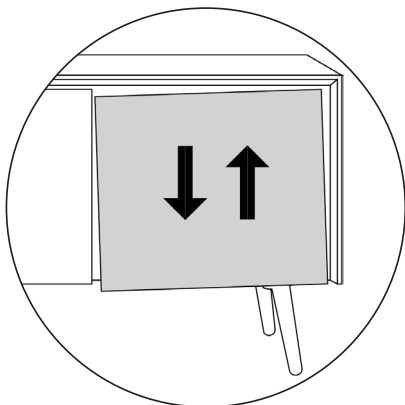
**!** During shipping, the doors of your cabinet may have shifted slightly. This can easily be corrected by tightening a few screws. Always start by adjusting the top hinge on the affected door.



REQUIRED TOOL

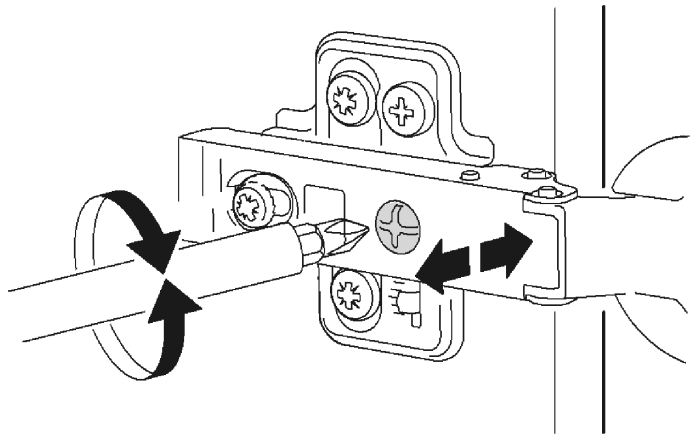
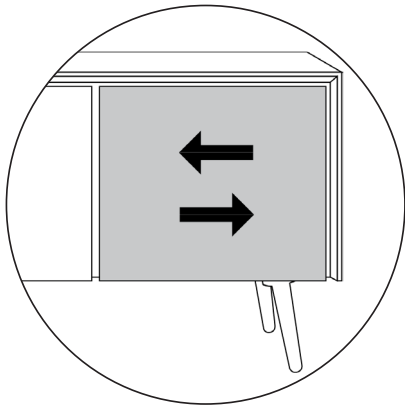
### 2A

If the door is crooked, adjust hinge(s) up or down:



2B

If the door needs adjustment side to side:



2C

If the door needs adjustment forward or backward:

