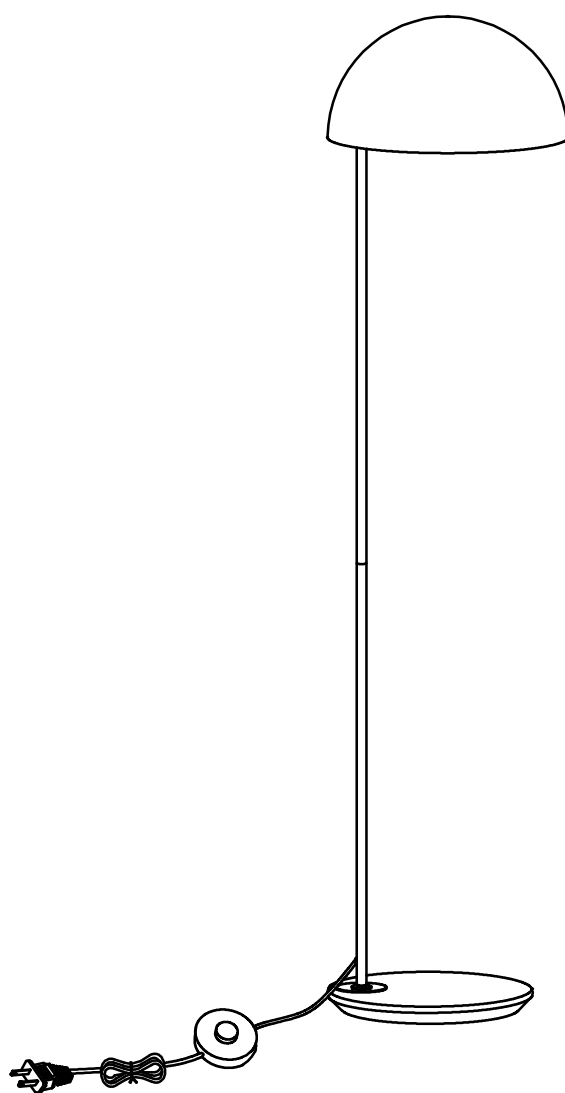


ARTICLE.

VERSION 1.0

Assembly Instructions



SETA

Floor Lamp

ASSEMBLY INSTRUCTIONS

Read these instructions carefully and keep for future reference. Refer to parts inventory for guidance, and ensure you have all pieces before starting.

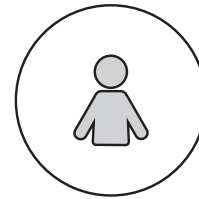
When assembling, place all parts on a soft, clean, and flat surface such as a carpet to prevent scratches.

If you're having difficulty, our friendly Customer Care team is always here to help. Call us at **1.888.746.3455** during business hours, email service@article.com or chat live at [article.com](https://www.article.com).

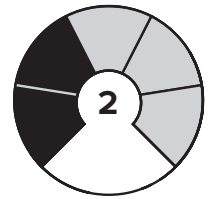


15 min





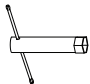

TIME



OF PEOPLE



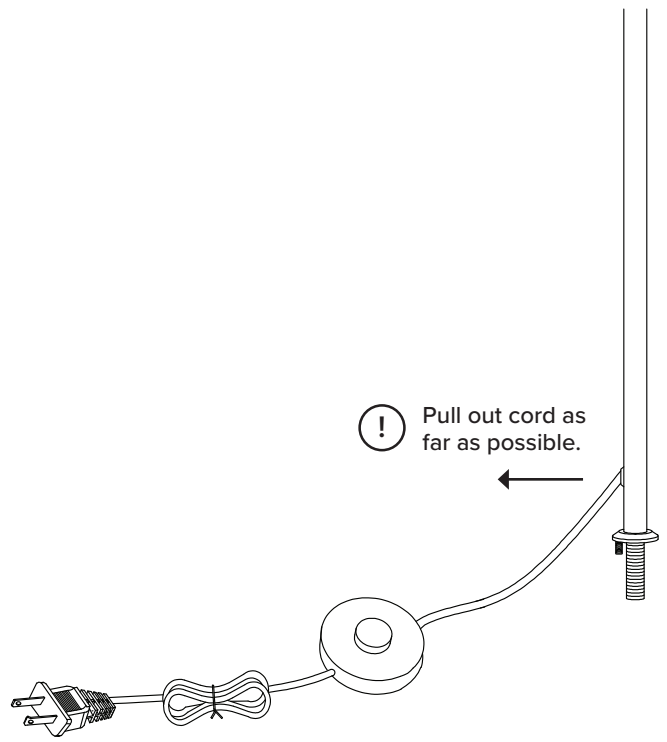
DIFFICULTY

PARTS INVENTORY		
ID	DESCRIPTION	QTY
A	LAMP TOP SEGMENT	1
B	LAMP BOTTOM SEGMENT	1
C	BASE	1
D	SHADE	1
E	LARGE FLAT WASHER 	1
F	WASHER 	1
G	LOCK WASHER 	1
H	NUT 	1
I	SOCKET WRENCH 	1
J	BOLT CAP 	1
K	BULB (E26 6W LED A19)	1

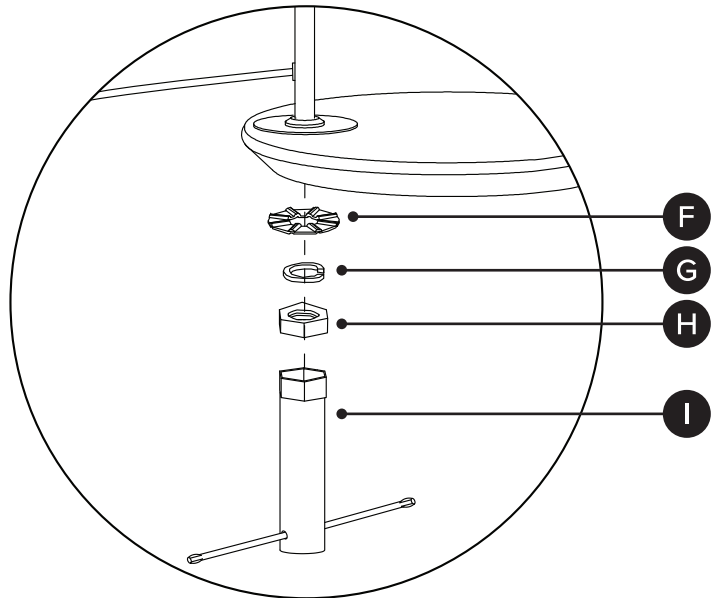
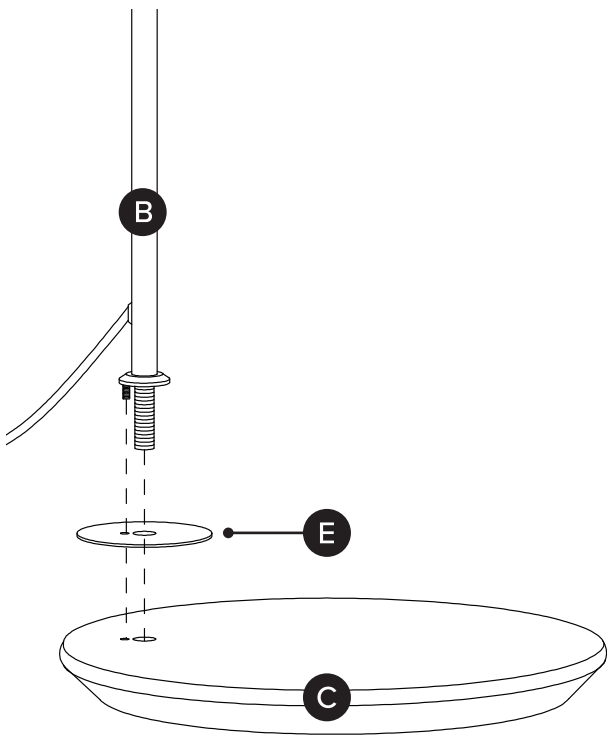
1



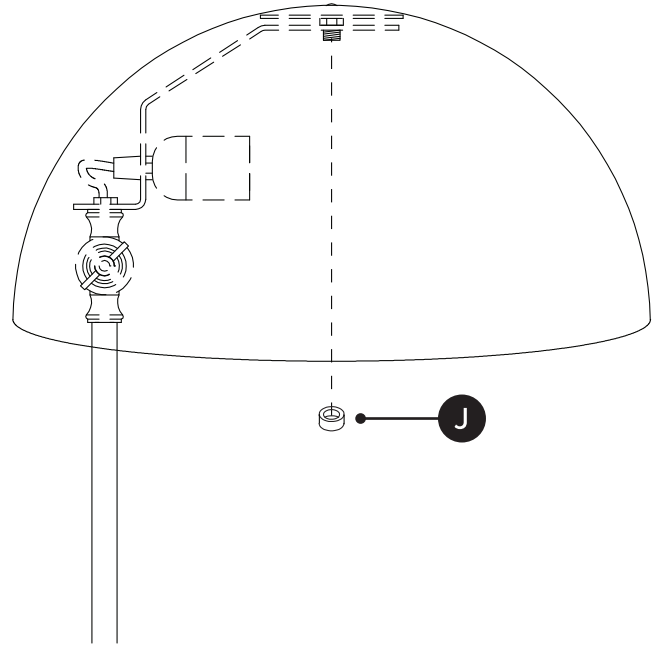
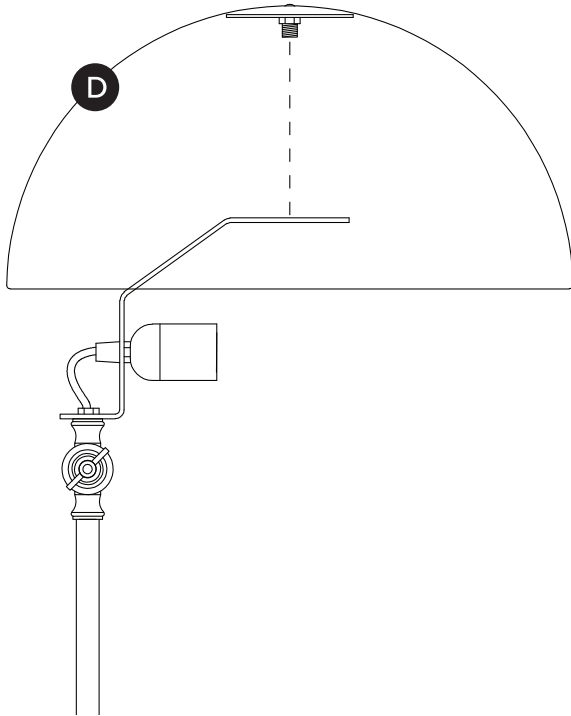
2



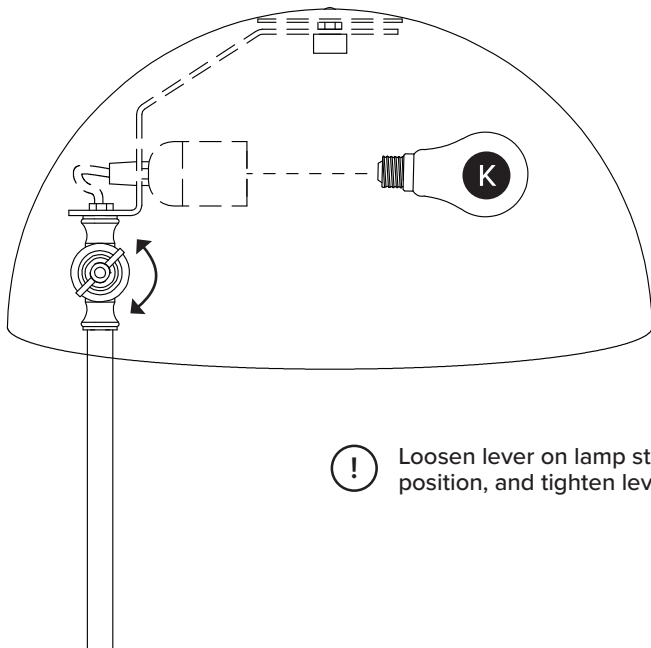
3



4



5



! Loosen lever on lamp stand, adjust shade position, and tighten lever to secure.

