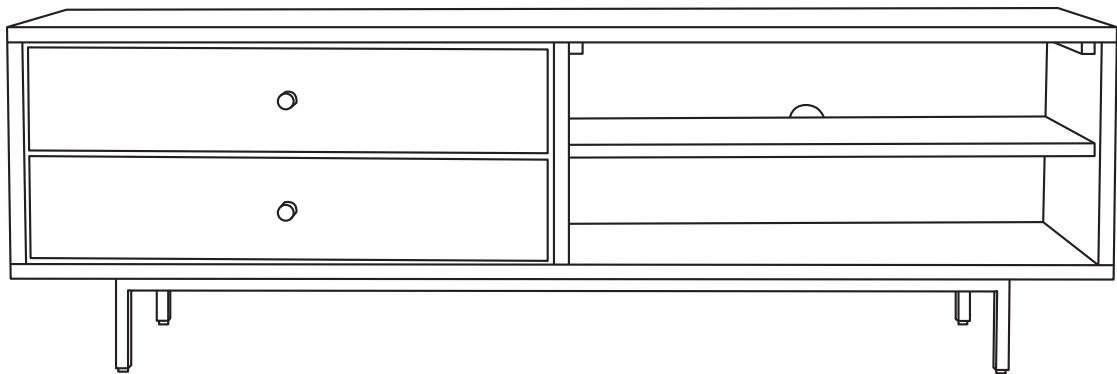


ARTICLE.

VERSION 1.1

Assembly Instructions



BIOS

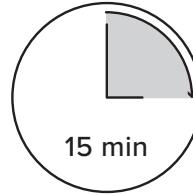
63" Media Unit

ASSEMBLY INSTRUCTIONS

Read these instructions carefully and keep for future reference. Refer to parts inventory for guidance, and ensure you have all pieces before starting.

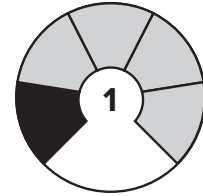
When assembling, place all parts on a soft, clean, and flat surface such as a carpet to prevent scratches.

If you're having difficulty, our friendly Customer Care team is always here to help. Call us at **1.888.746.3455** during business hours, email service@article.com or chat live at article.com.



15 min

TIME

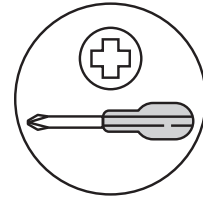


1


DIFFICULTY



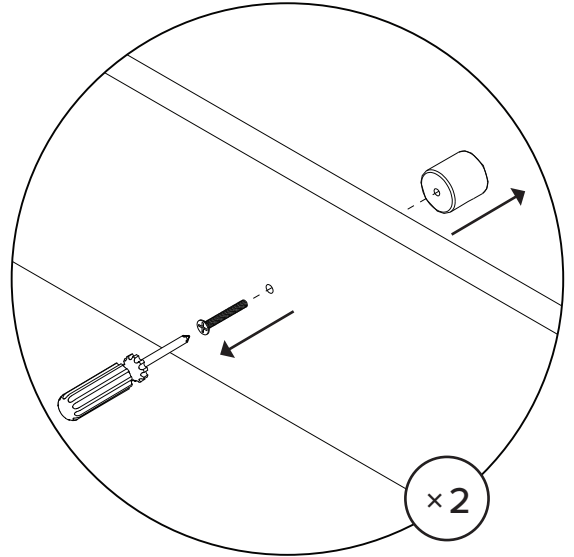
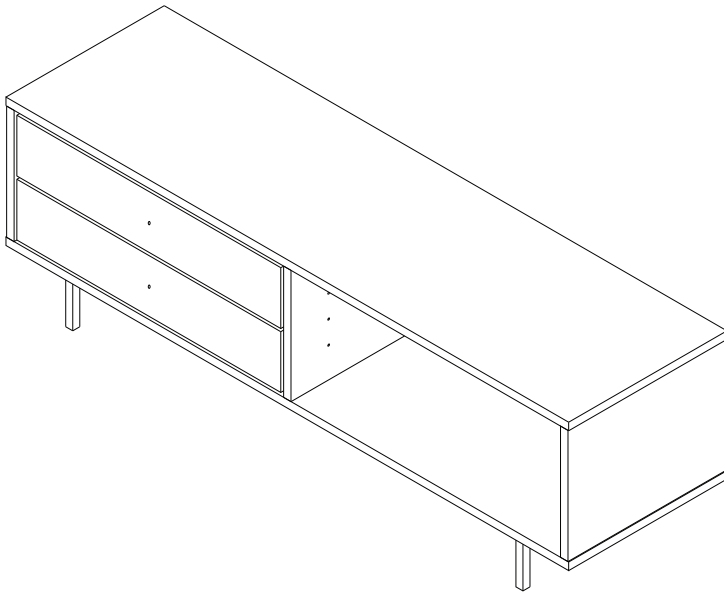
OF PEOPLE



REQUIRED TOOL

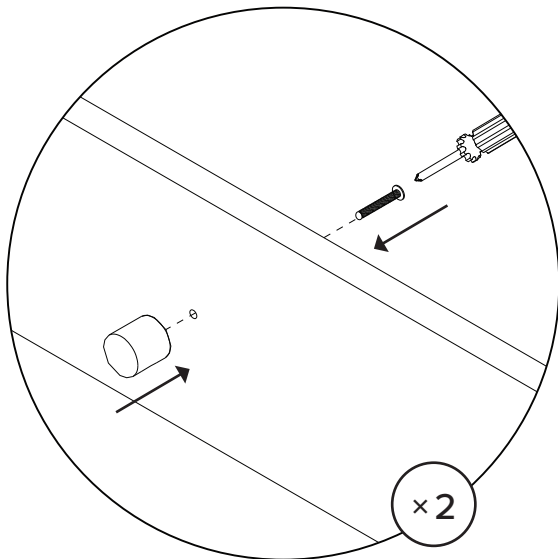
PARTS INVENTORY		
ID	DESCRIPTION	QTY
A	SHELF PIN 	4
B	SHELF	1

1A

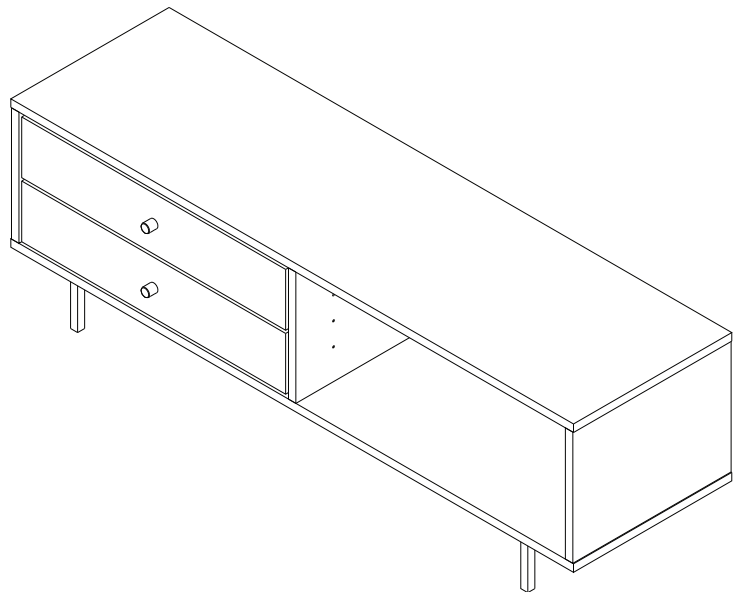


! Unscrew handles from the interior of both drawers.

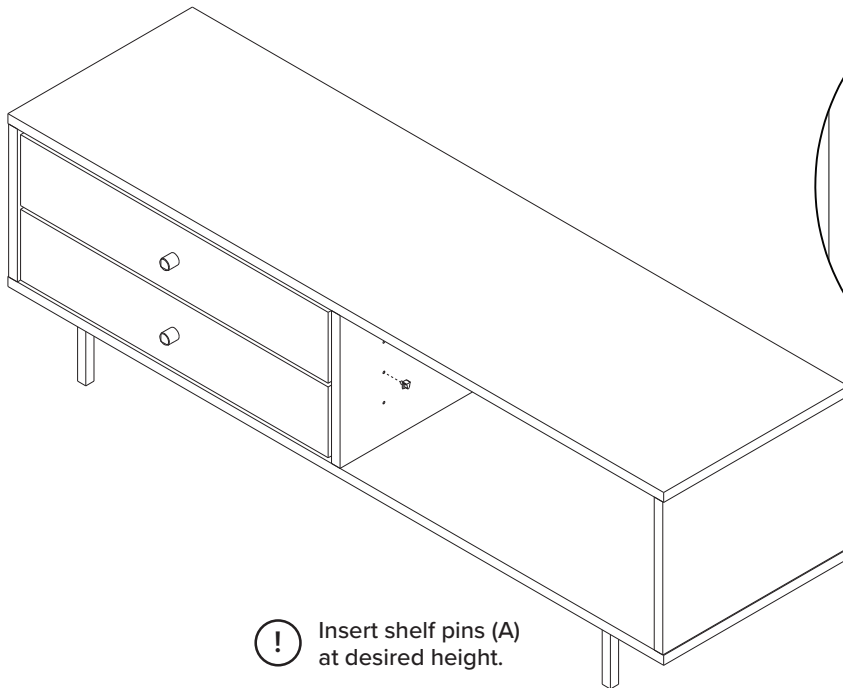
1B



! Reattach handles on the exterior of both drawers.



2A



! Insert shelf pins (A) at desired height.

2B

