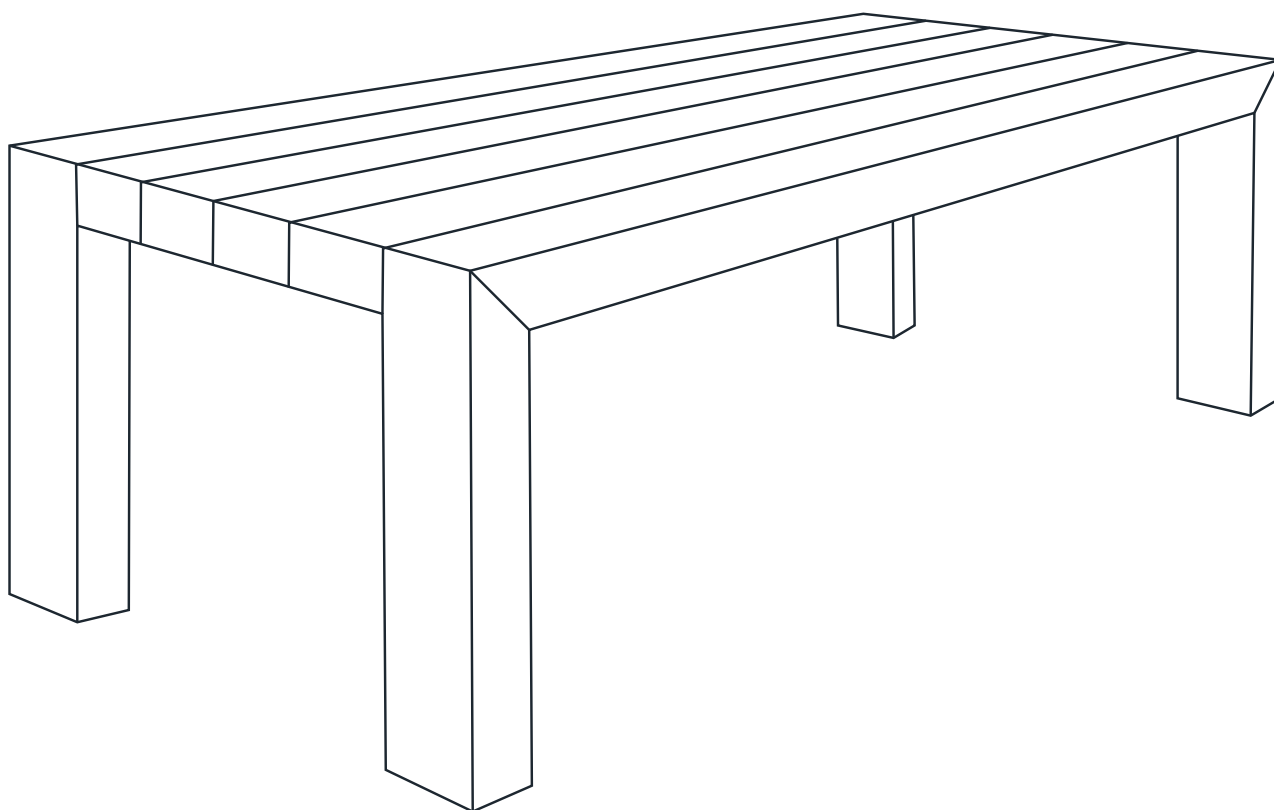


ARTICLE.

VERSION 1.0

Assembly Instructions



ATICA

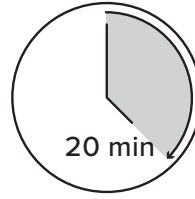
Dining Table

ASSEMBLY INSTRUCTIONS

Read these instructions carefully and keep for future reference. Refer to parts inventory for guidance, and ensure you have all pieces before starting.

When assembling, place all parts on a soft, clean, and flat surface such as a carpet to prevent scratches.

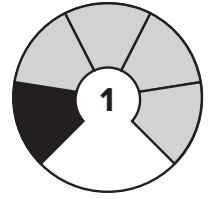
If you're having difficulty, our friendly Customer Care team is always here to help. Call us at **1.888.746.3455** during business hours, email service@article.com or chat live at [article.com](https://www.article.com).



TIME






OF PEOPLE

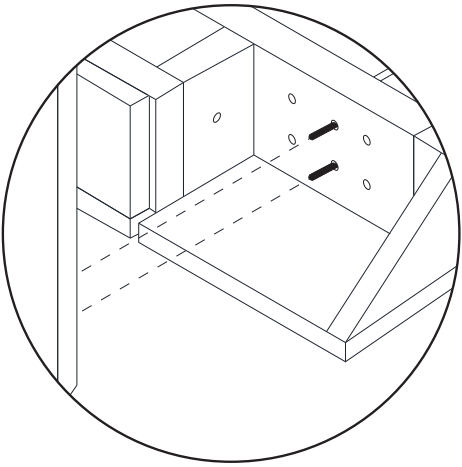
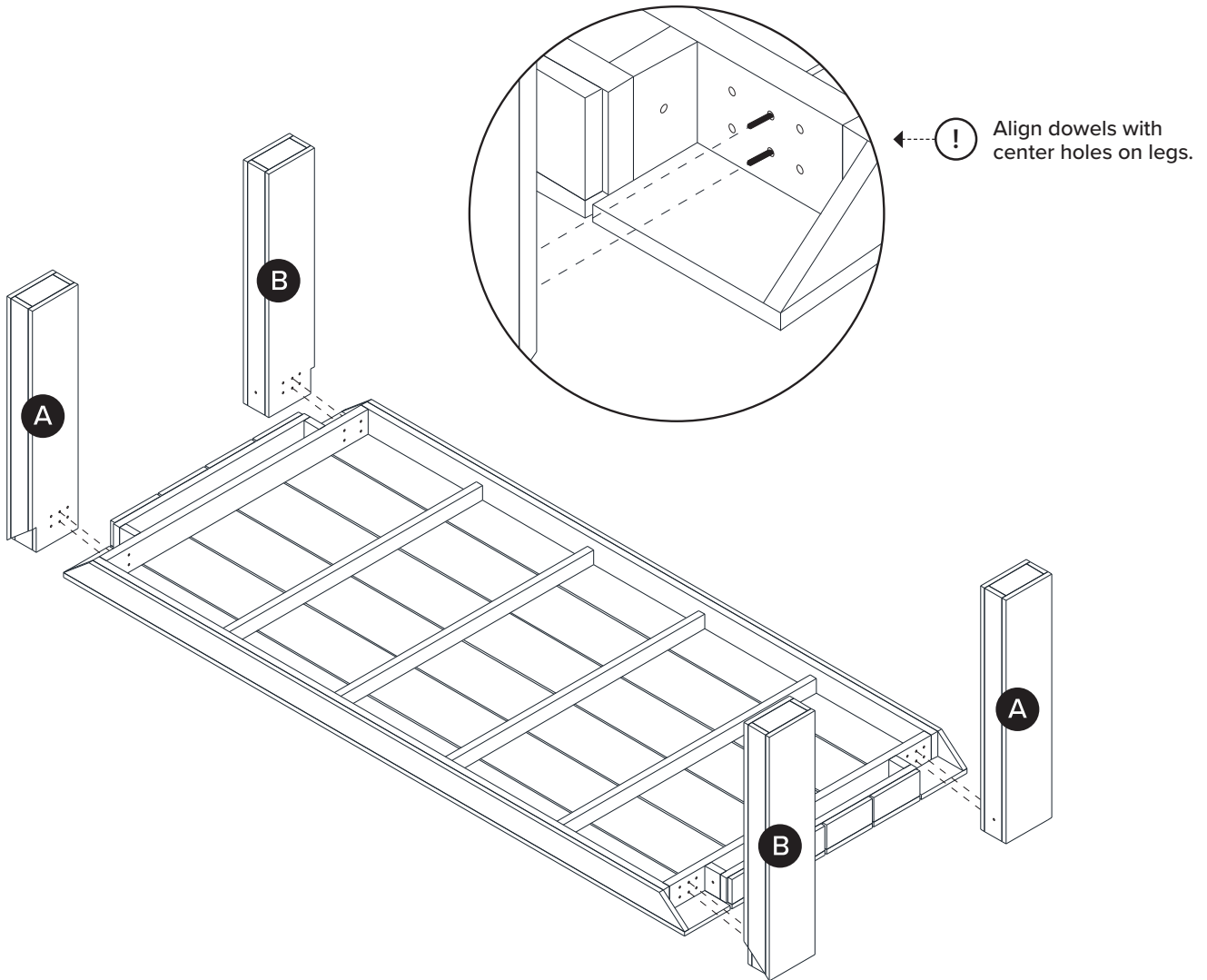


DIFFICULTY

! Hardware may loosen over time, check the bolts regularly and tighten if necessary.

PARTS INVENTORY		
ID	DESCRIPTION	QTY
A	RIGHT LEG	2
B	LEFT LEG	2
C	WASHER 	16
D	M8 × 45MM BOLT 	16
E	ALLEN KEY 	1

1



! Align dowels with center holes on legs.

