
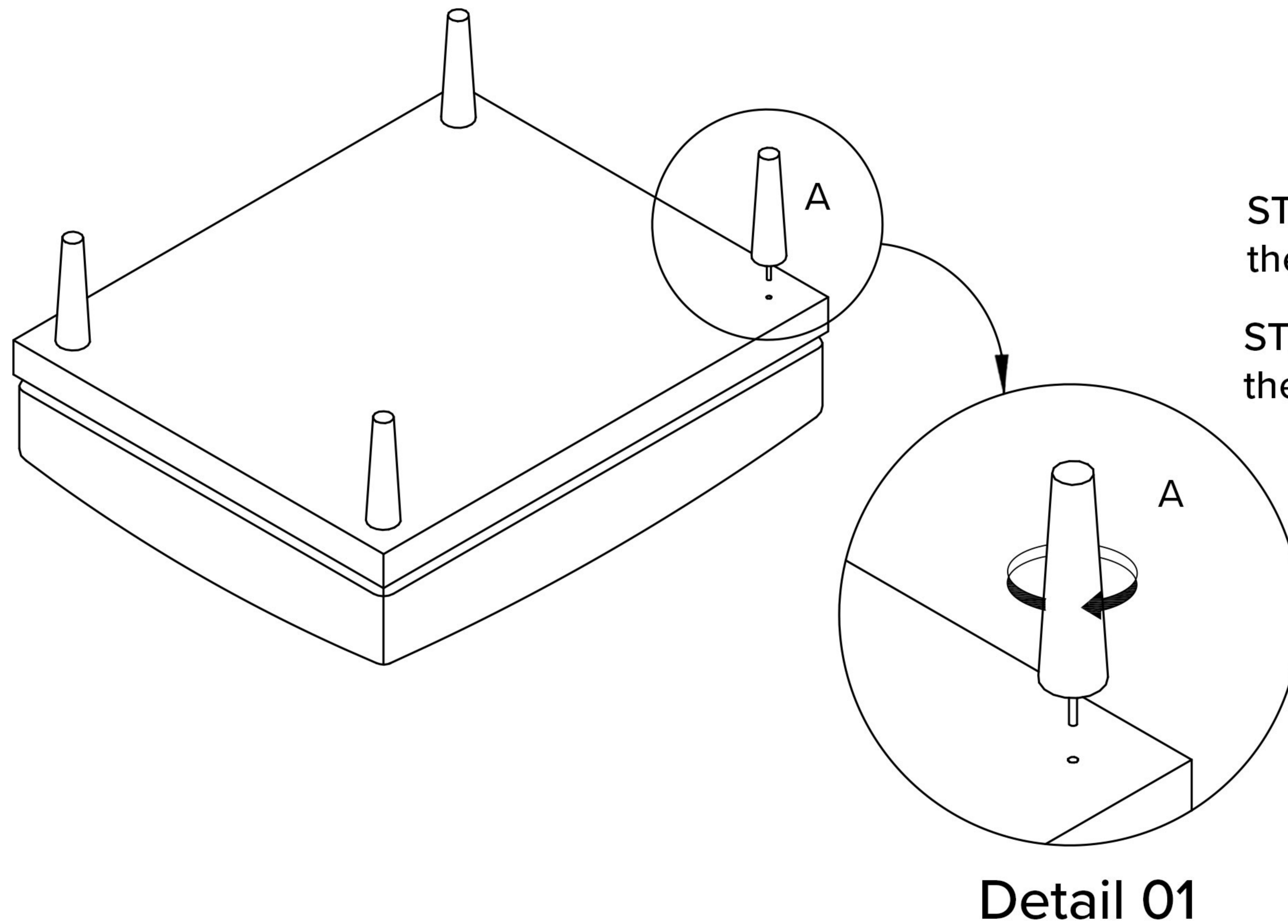


## Assembly Instruction

Burrard ottoman

PARTS LIST (Included)			
	Description		Qty
A	Wooden leg		4



**STEP 1:** Attach a wooden leg (A) to the bottom of the sofa by turning the leg around - see detail 01

**STEP 2:** Attach the remaining legs by following the step 1