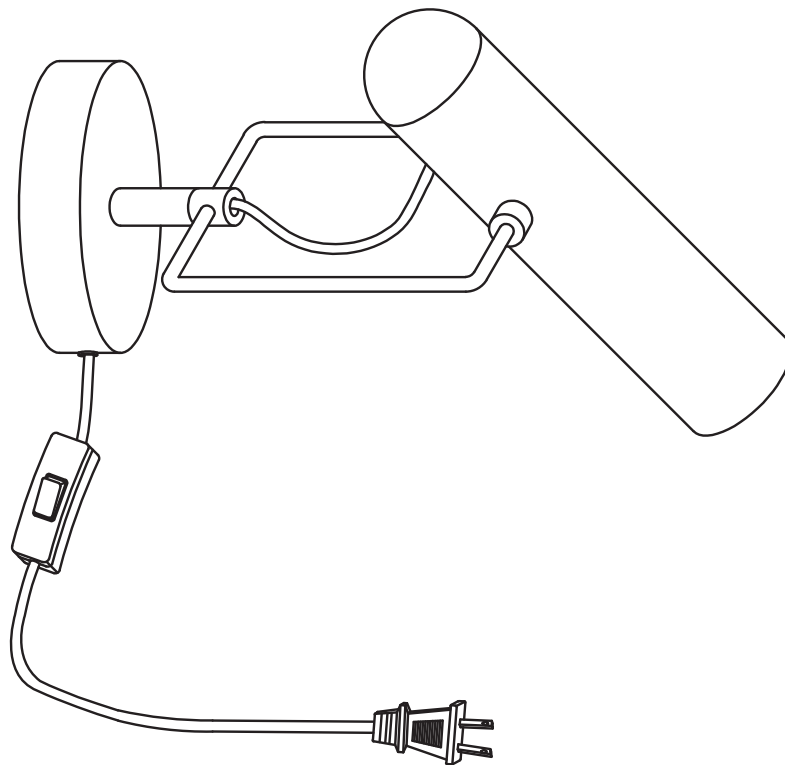


ARTICLE.

VERSION 1.1

Assembly Instructions



BINO

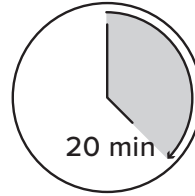
Sconce Lamp

ASSEMBLY INSTRUCTIONS

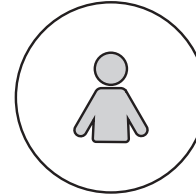
Read these instructions carefully and keep for future reference. Refer to parts inventory for guidance, and ensure you have all pieces before starting.

When assembling, place all parts on a soft, clean, and flat surface such as a carpet to prevent scratches.

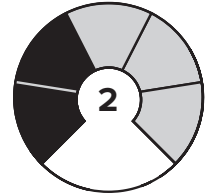
If you're having difficulty, our friendly Customer Care team is always here to help. Call us at **1.888.746.3455** during business hours, email service@article.com or chat live at article.com.



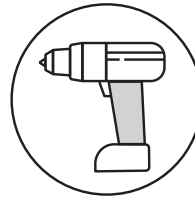
TIME



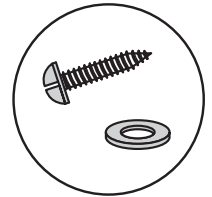
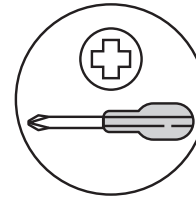
OF PEOPLE




DIFFICULTY



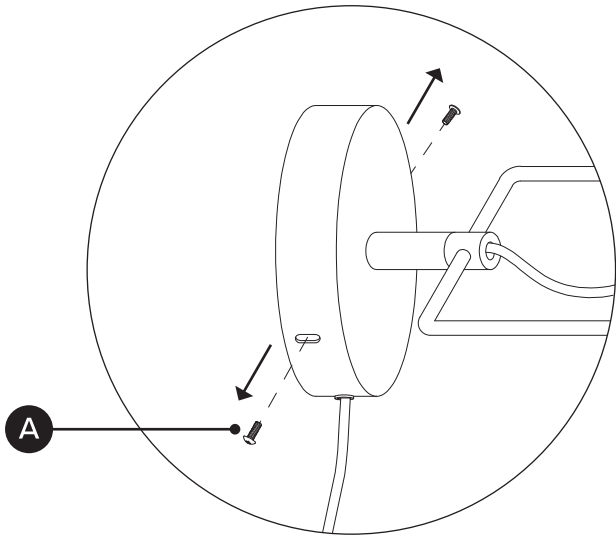
REQUIRED TOOLS



REQUIRED HARDWARE

PARTS INVENTORY		
ID	DESCRIPTION	QTY
A	SCREW (PRE-INSTALLED) 	2
B	BRACKET (PRE-INSTALLED)	1
C	LAMP	1

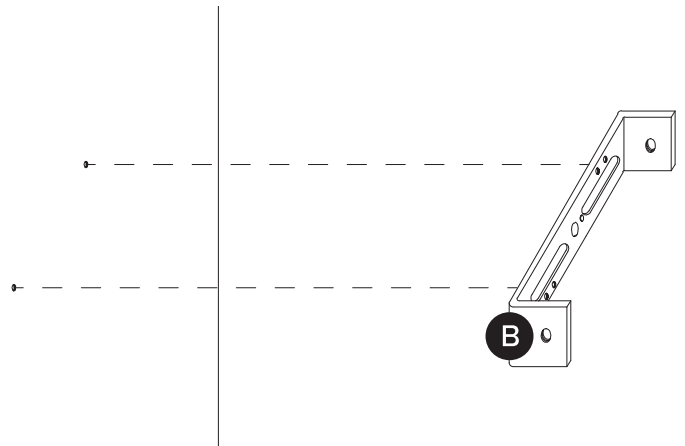
1



! Unscrew bracket (B) from lamp (C) first.

2

! Hardware to attach bracket (B) to wall is not included. Consult with your local hardware store about mounting this lamp to your wall.



3

