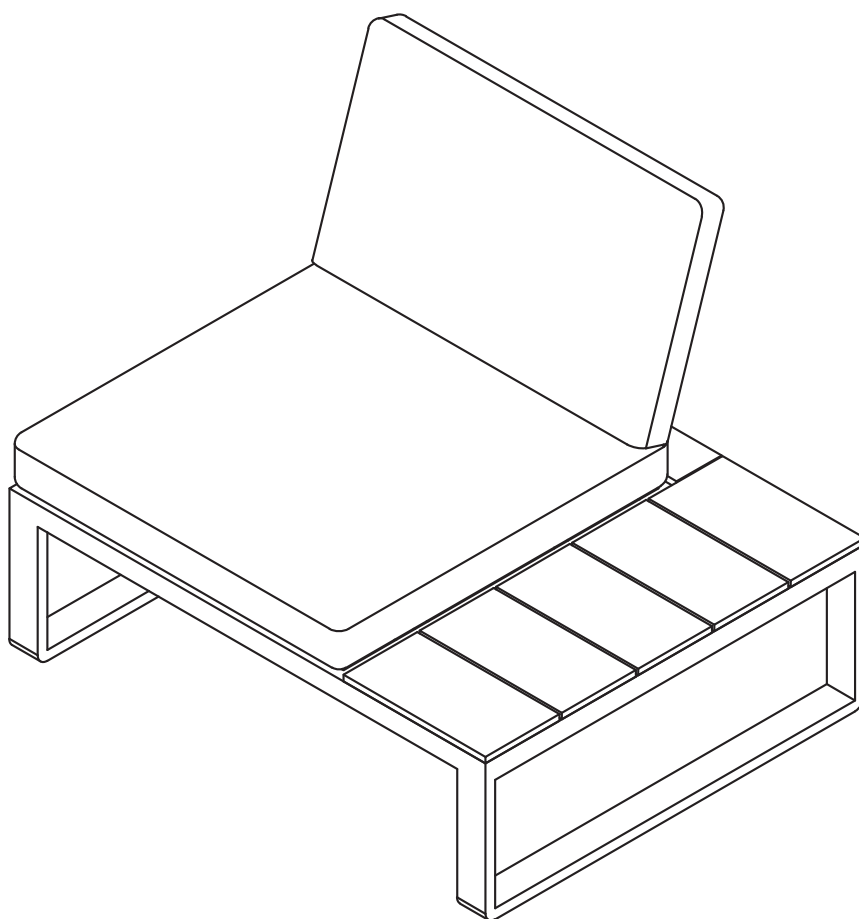


ARTICLE.

VERSION 1.1

Assembly Instructions



KEZIA

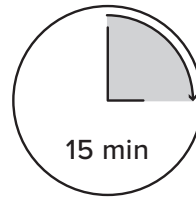
Right Side Chair

ASSEMBLY INSTRUCTIONS

Read these instructions carefully and keep for future reference. Refer to parts inventory for guidance, and ensure you have all pieces before starting.

When assembling, place all parts on a soft, clean, and flat surface such as a carpet to prevent scratches.

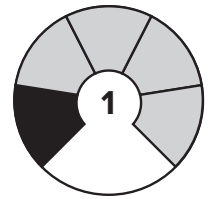
If you're having difficulty, our friendly Customer Care team is always here to help. Call us at **1.888.746.3455** during business hours, email service@article.com or chat live at [article.com](https://www.article.com).



TIME










OF PEOPLE

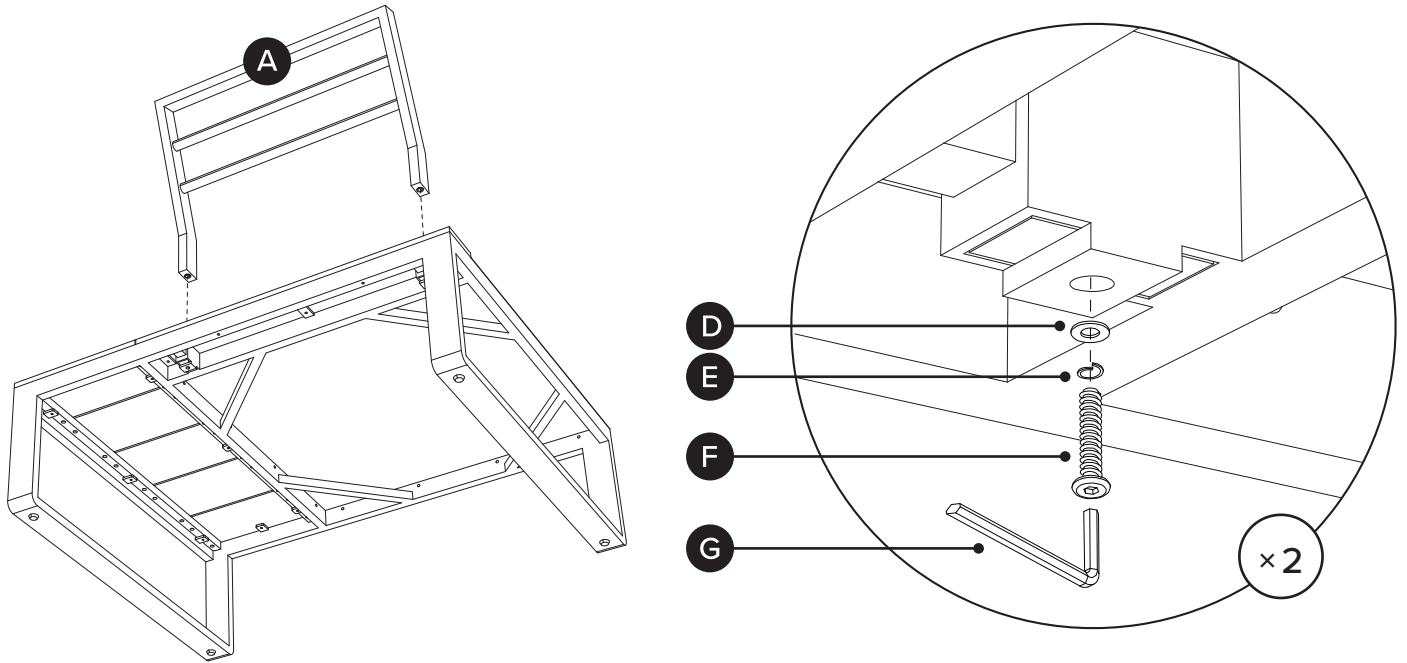


DIFFICULTY

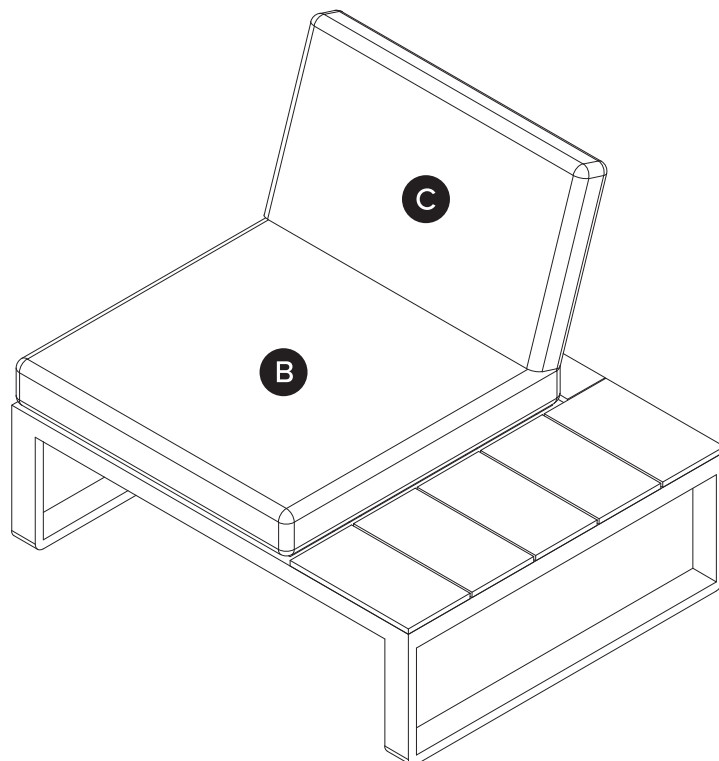
! Hardware may loosen over time, check the bolts regularly and tighten if necessary.

PARTS INVENTORY		
ID	DESCRIPTION	QTY
A	BACKREST	1
B	SEAT CUSHION	1
C	BACK CUSHION	1
D	M6 WASHER 	2
E	M6 LOCK WASHER 	2
F	M6 × 25MM BOLT 	2
G	ALLEN KEY 	1
H	CONNECTOR BRACKET 	1
I	M8 WASHER 	2
J	M8 × 20MM BOLT 	2

1



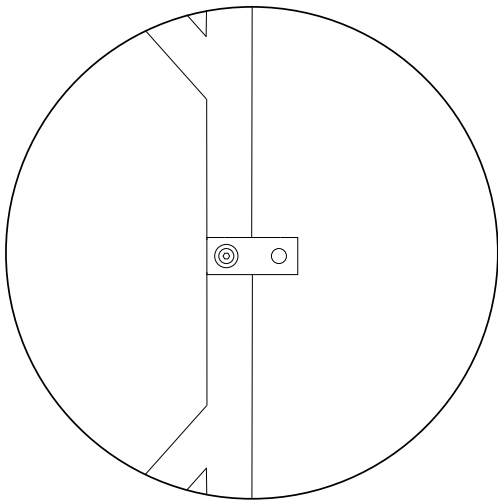
2



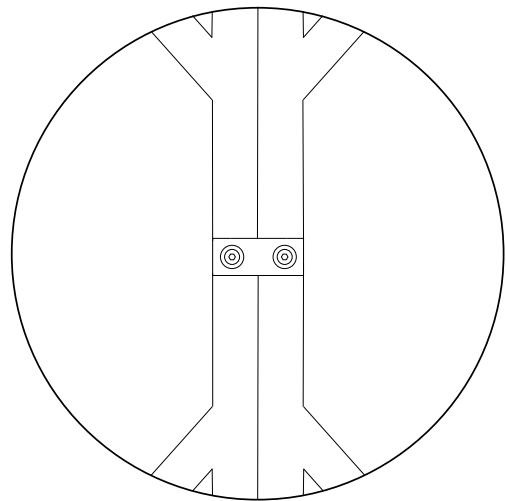


CONNECTING KEZIA MODULES

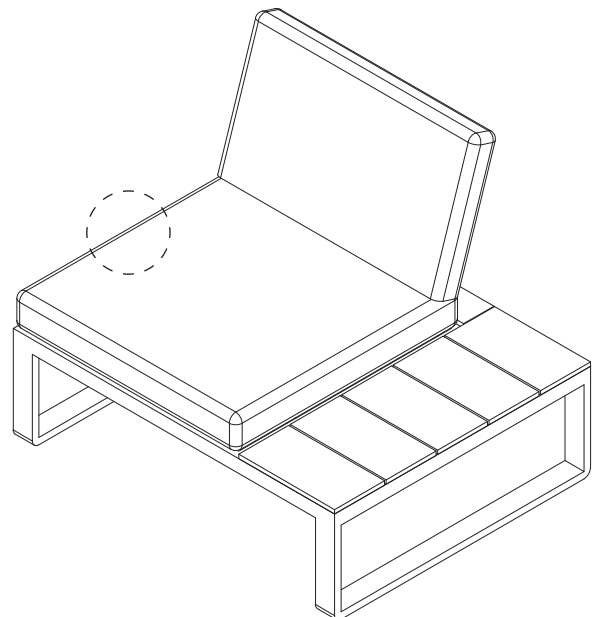
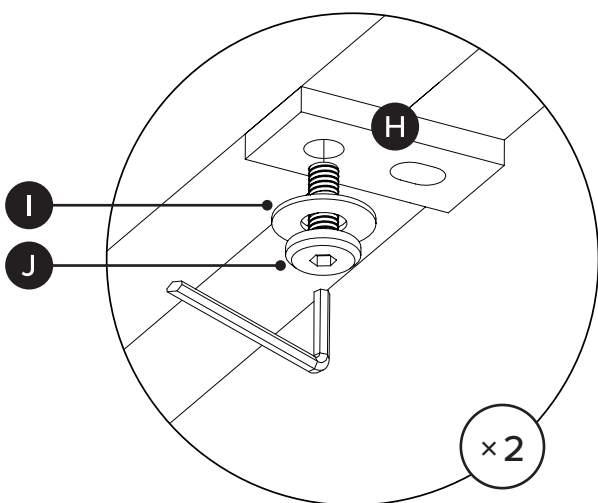
If you'd like to build a custom Kezia configuration, you can link your Kezia modules by using the connector bracket provided.



Attach connector bracket (H) to the underside of one module.



Align modules and attach connector bracket (H) onto other module.



The Kezia right side chair can only be connected on one side.