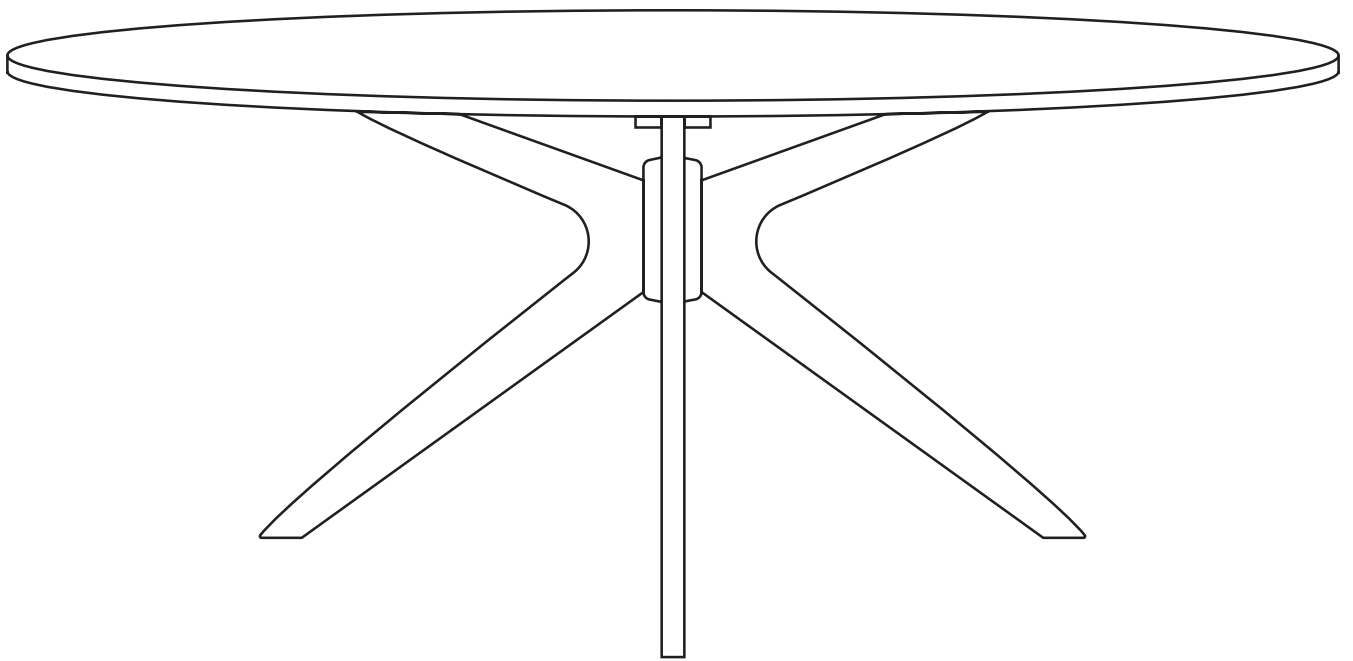


ARTICLE.

VERSION 1.1

Assembly Instructions



CONAN

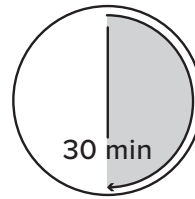
Oval Dining Table

ASSEMBLY INSTRUCTIONS

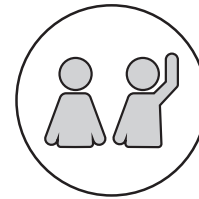
Read these instructions carefully and keep for future reference. Refer to parts inventory for guidance, and ensure you have all pieces before starting.

When assembling, place all parts on a soft, clean, and flat surface such as a carpet to prevent scratches.

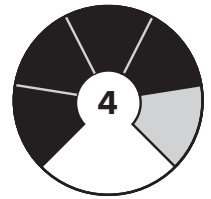
If you're having difficulty, our friendly Customer Care team is always here to help. Call us at **1.888.746.3455** during business hours, email service@article.com or chat live at [article.com](https://www.article.com).



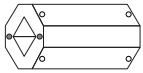







TIME



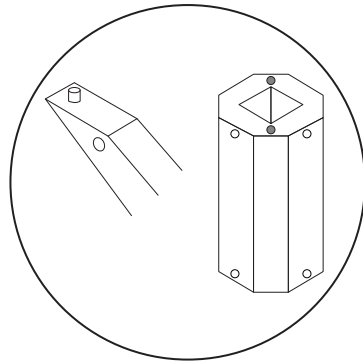
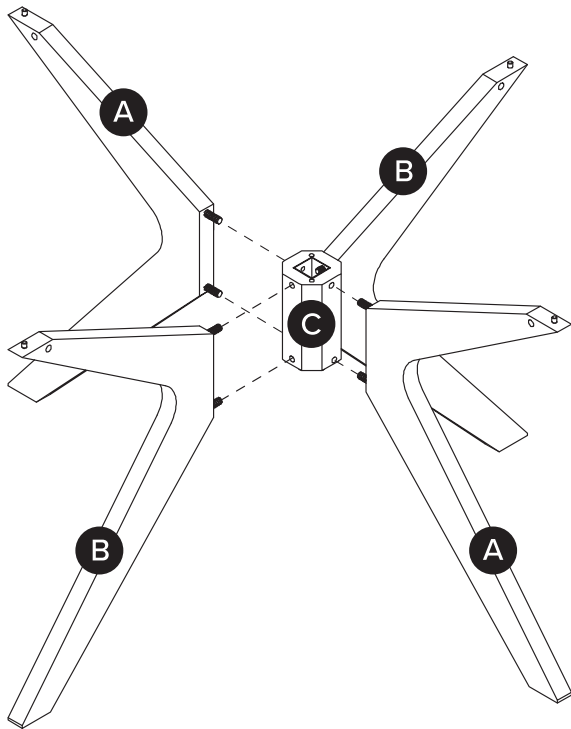
OF PEOPLE



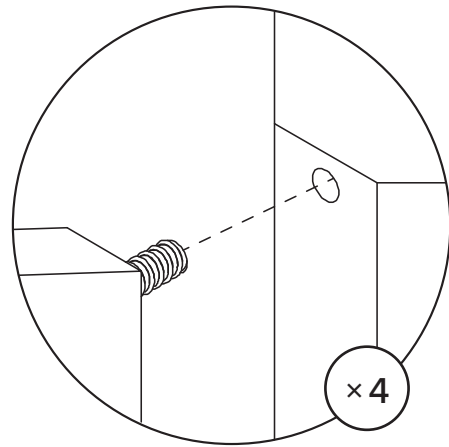
DIFFICULTY

PARTS INVENTORY		
ID	DESCRIPTION	QTY
A	LARGE LEG	2
B	SMALL LEG	2
C	CENTER BLOCK 	1
D	CENTER BLOCK CAP 	1
E	WRENCH 	1
F	HEXNUT 	8
G	ALLEN KEY 	1
H	M6 × 80MM BOLT 	4
I	M6 LOCK WASHER 	4
J	M6 WASHER 	4

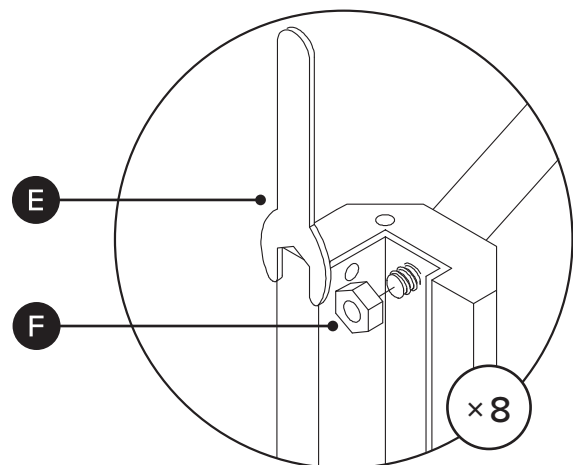
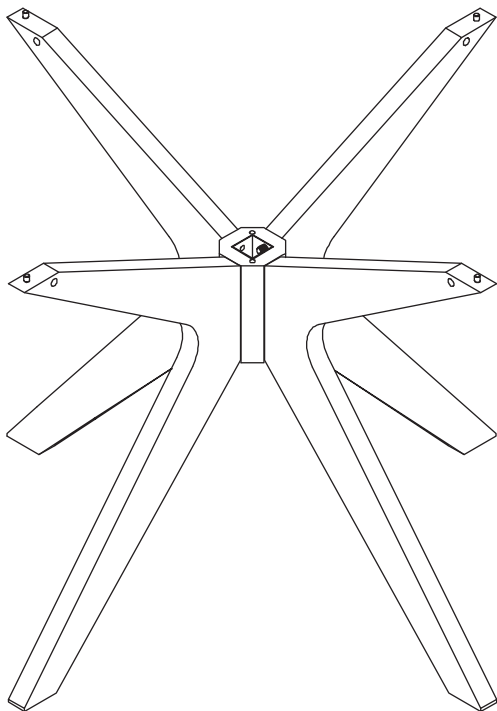
1A



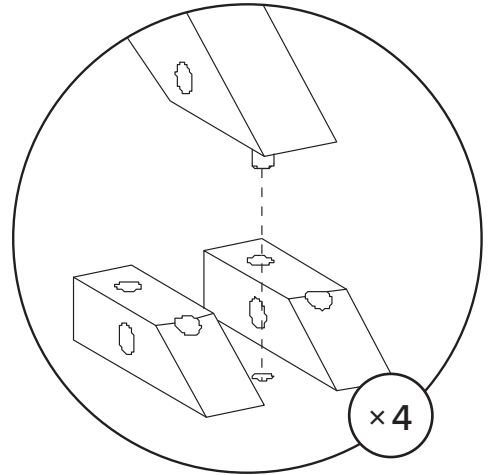
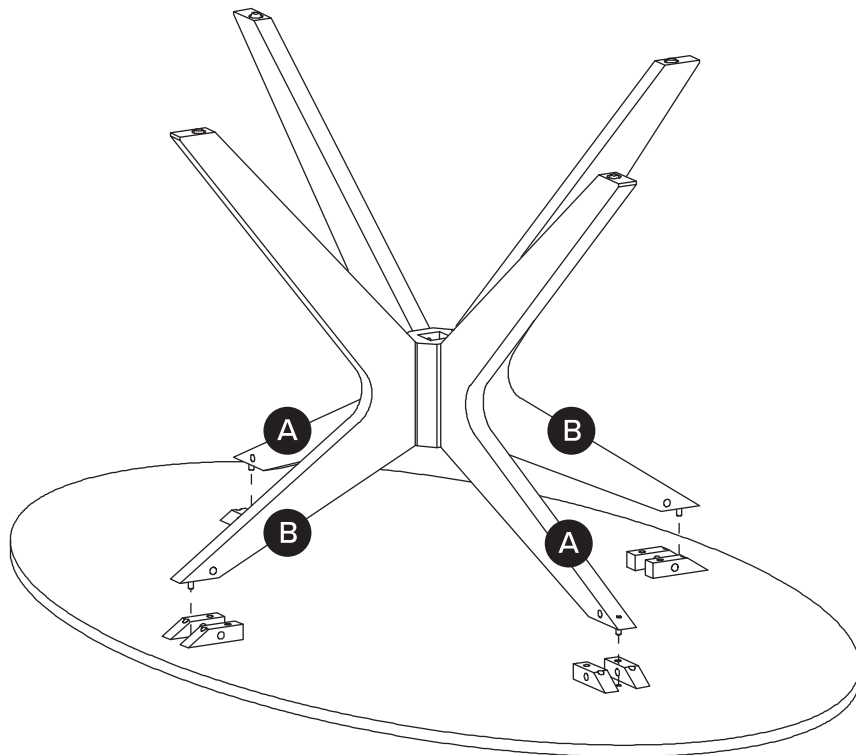
! Holes on top of center block and dowels on legs both face up.



1B

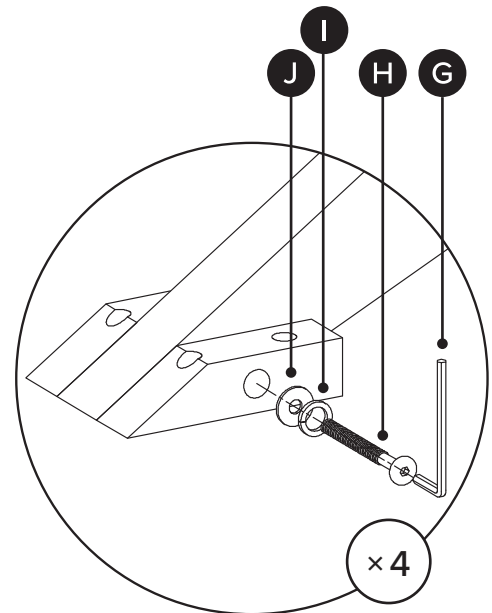
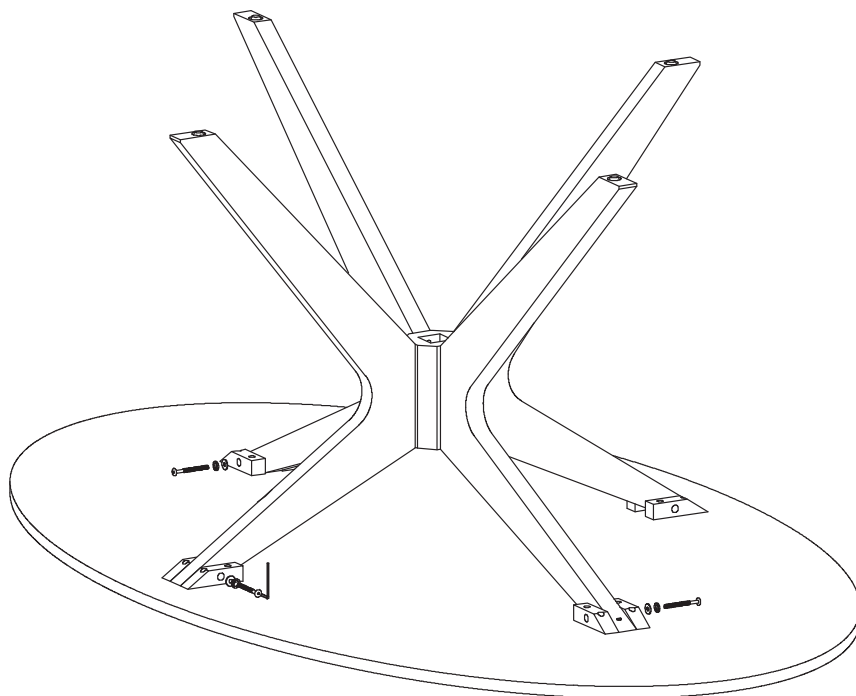


2A

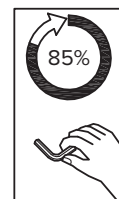


! Align all four legs before tightening bolts.

2B



! Insert bolt into side without threading.



3



! Fully tighten all nuts and bolts after turning upright.

4

