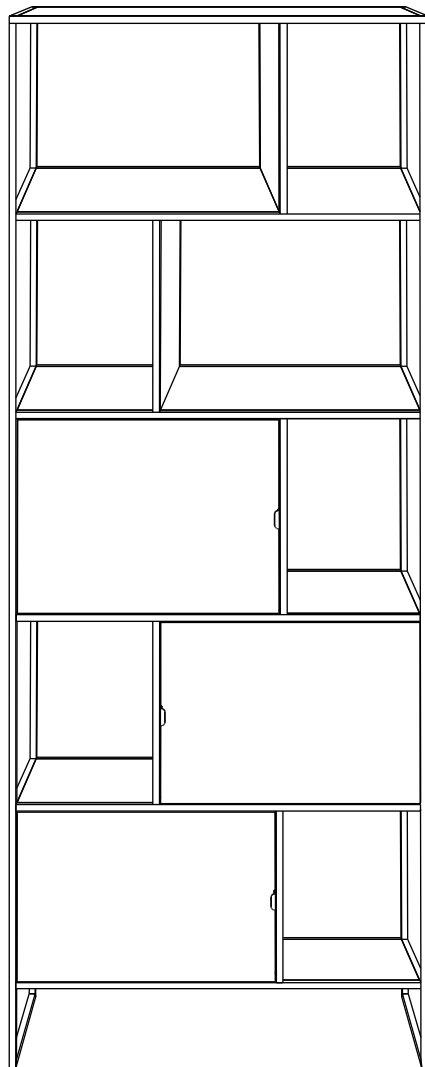


# ARTICLE.

VERSION 1.0

## Assembly Instructions



# RICTU

75" Bookcase



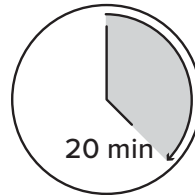
## ANTI-TIP RESTRAINT INSTALLATION

### WARNING!

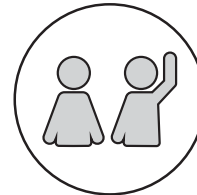
Serious or fatal crushing injuries can occur from furniture tip-over. To help prevent tip-over:

- Install tip-over restraint provided.
- Do not set heavy objects on top of this product, unless the product is specifically designed to accommodate them.
- Never allow children to climb or hang on mirrors, shelves, consoles, or cabinets with doors and/or drawers.

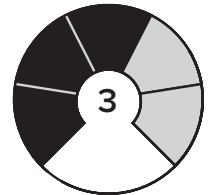
Use of tip-over restraints may only reduce but not eliminate, the risk of tip-over.



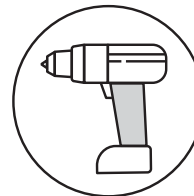
TIME



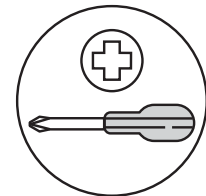
# OF PEOPLE



DIFFICULTY



REQUIRED TOOL  
8MM / 5/16" DRILL BIT

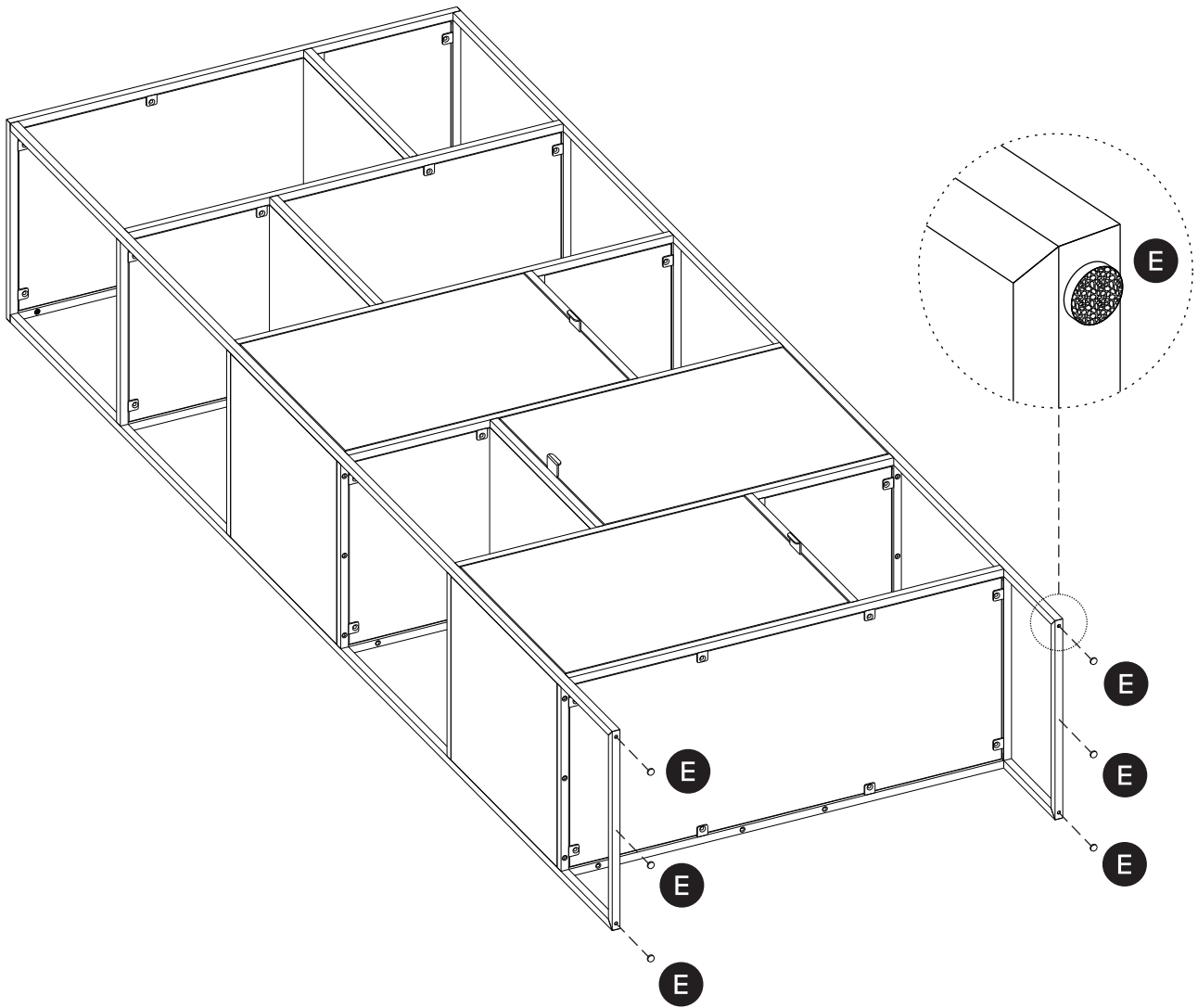


REQUIRED TOOL

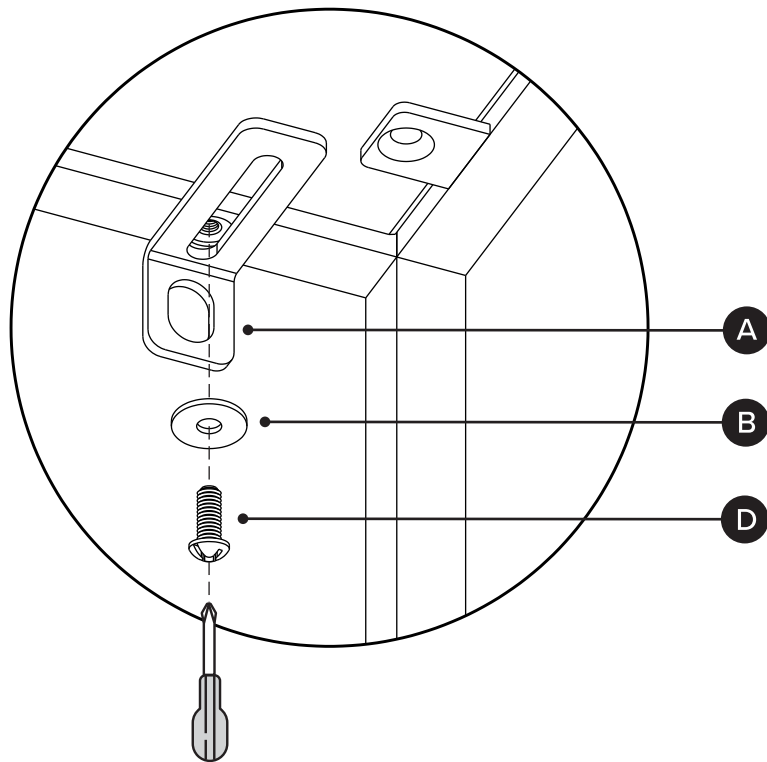
PARTS INVENTORY			
ID	DESCRIPTION		QTY
<b>A</b>	BRACKET		2
<b>B</b>	SMALL WASHER		2
<b>C</b>	LARGE WASHER		2
<b>D</b>	M4 × 10MM MUSHROOM BOLT		2
<b>E</b>	FELT PAD		6
<b>F</b>	M8 × 51MM PLUG		2
<b>G</b>	M6 × 70MM SCREW		2

Hardware (F/G) to attach brackets to wall is designed for drywall. To attach this unit to another type of wall, consult with your local hardware store.

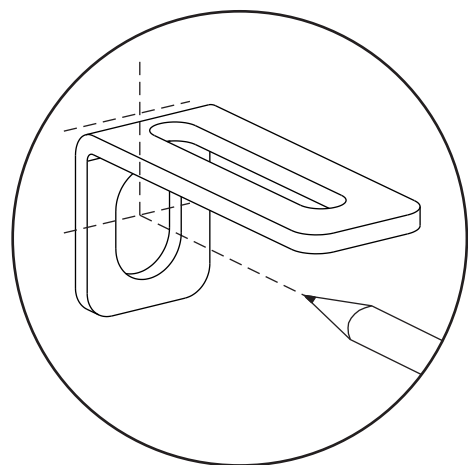
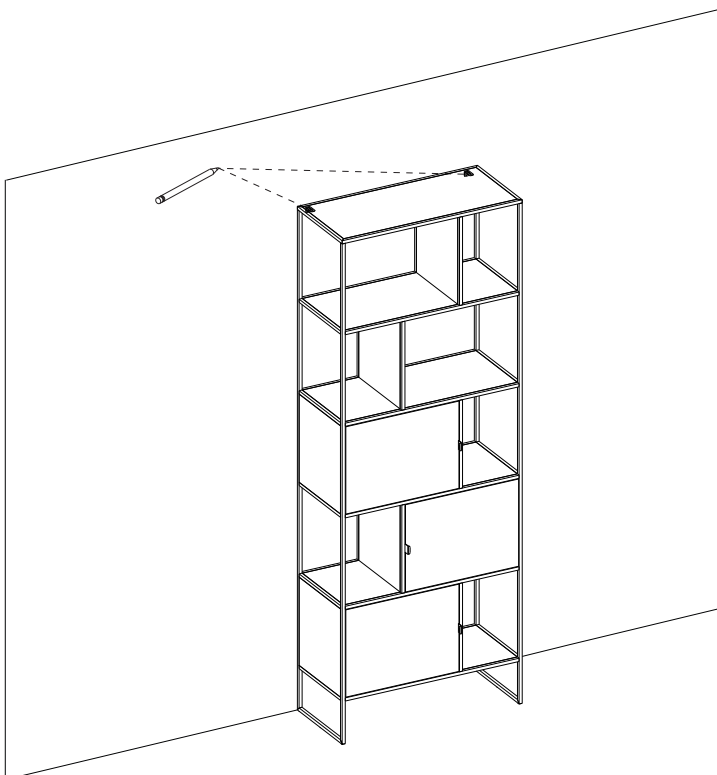
1



2



3



Place unit in desired location and mark on wall where holes should be drilled.

4

Drill holes into drywall, insert wall plugs (F), and attach unit to wall.

