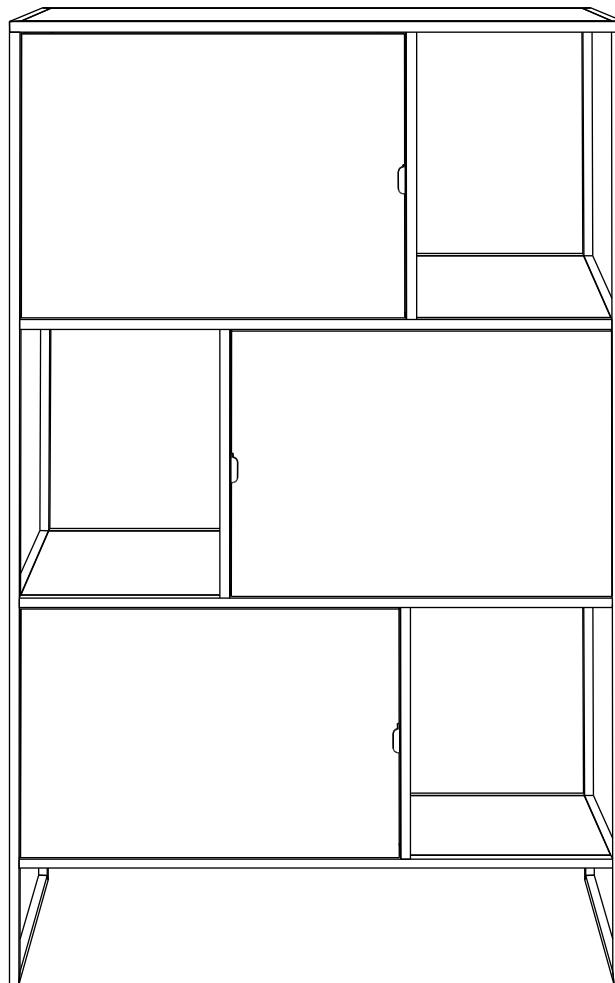


ARTICLE.

VERSION 1.0

Assembly Instructions



RICTU

48" Bookcase



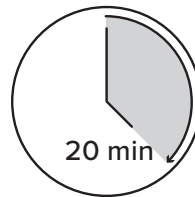
ANTI-TIP RESTRAINT INSTALLATION

WARNING!

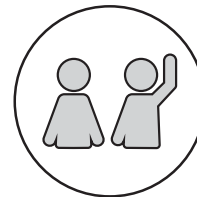
Serious or fatal crushing injuries can occur from furniture tip-over. To help prevent tip-over:

- Install tip-over restraint provided.
- Do not set heavy objects on top of this product, unless the product is specifically designed to accommodate them.
- Never allow children to climb or hang on mirrors, shelves, consoles, or cabinets with doors and/or drawers.

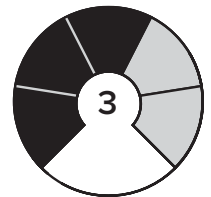
Use of tip-over restraints may only reduce but not eliminate, the risk of tip-over.



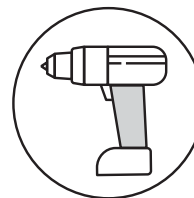
TIME



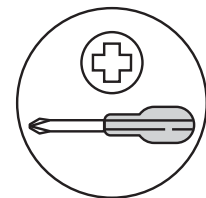
OF PEOPLE



DIFFICULTY



REQUIRED TOOL
8MM / 5/16" DRILL BIT

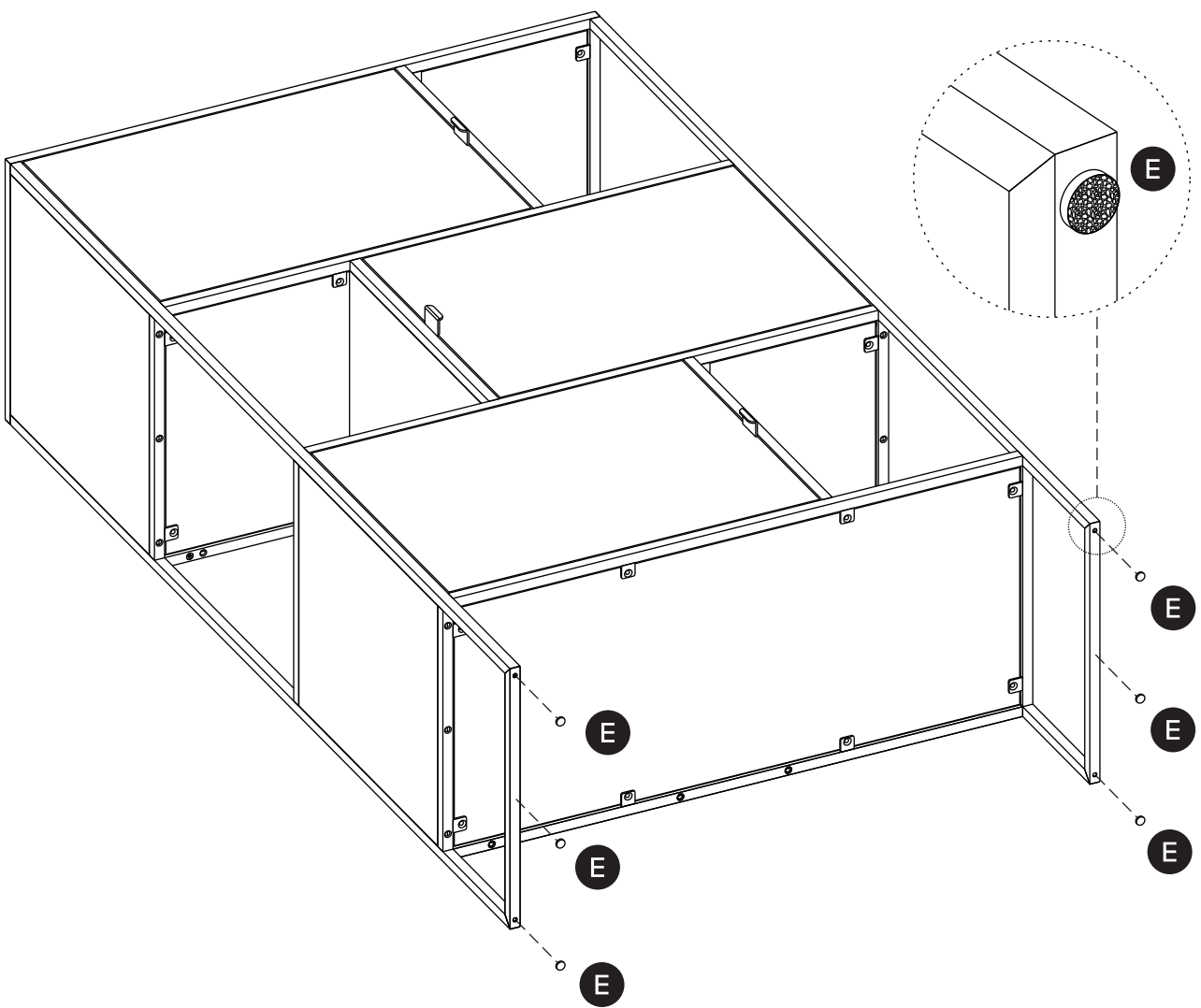


REQUIRED TOOL

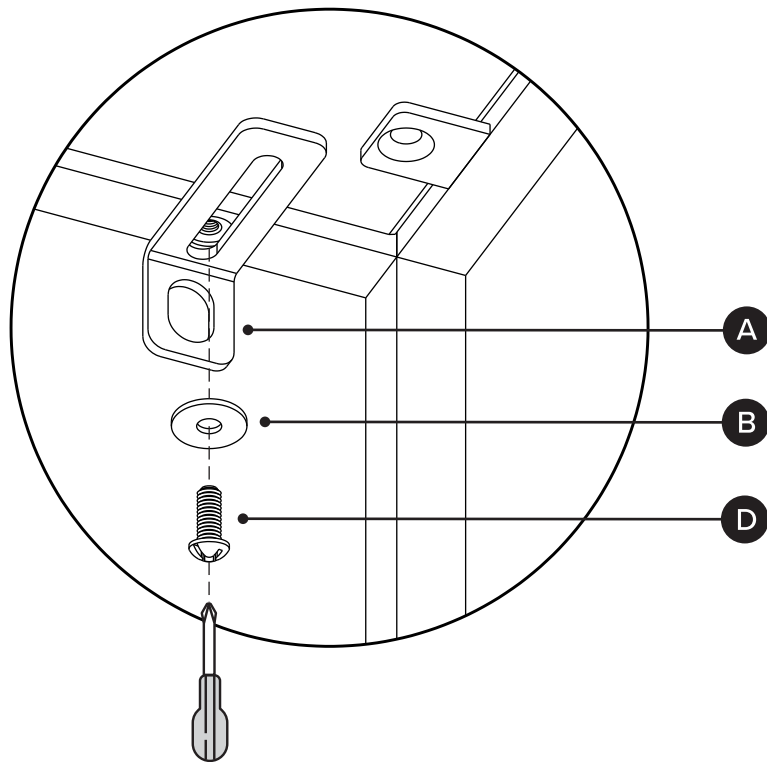
PARTS INVENTORY			
ID	DESCRIPTION		QTY
A	BRACKET		2
B	SMALL WASHER		2
C	LARGE WASHER		2
D	M4 × 10MM MUSHROOM BOLT		2
E	FELT PAD		6
F	M8 × 51MM PLUG		2
G	M6 × 70MM SCREW		2

Hardware (F/G) to attach brackets to wall is designed for drywall. To attach this unit to another type of wall, consult with your local hardware store.

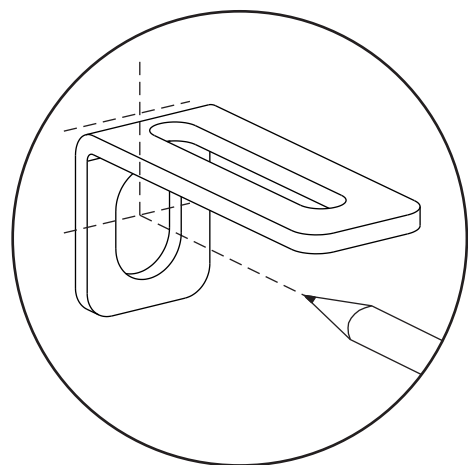
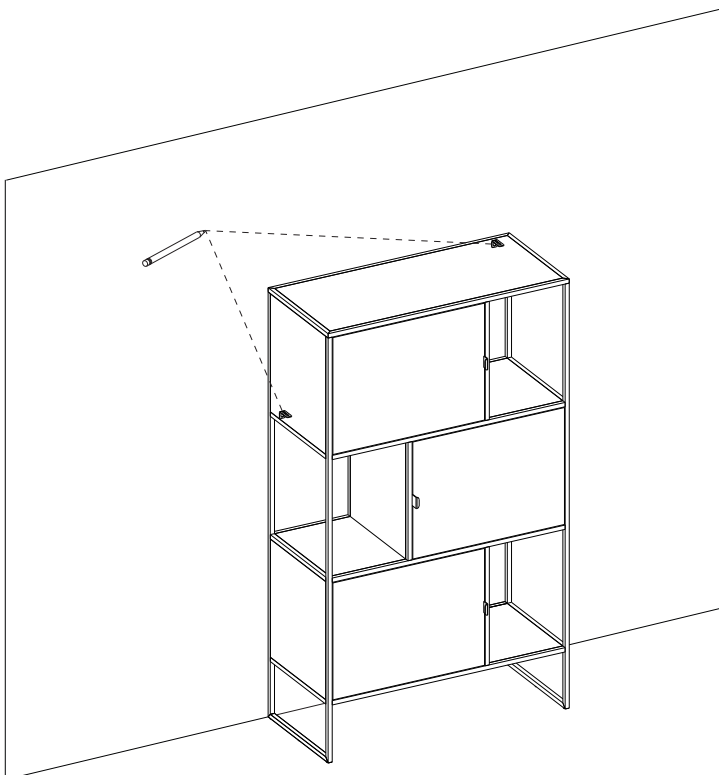
1



2



3



Place unit in desired location and mark on wall where holes should be drilled.

4

Drill holes into drywall, insert wall plugs (F), and attach unit to wall.

