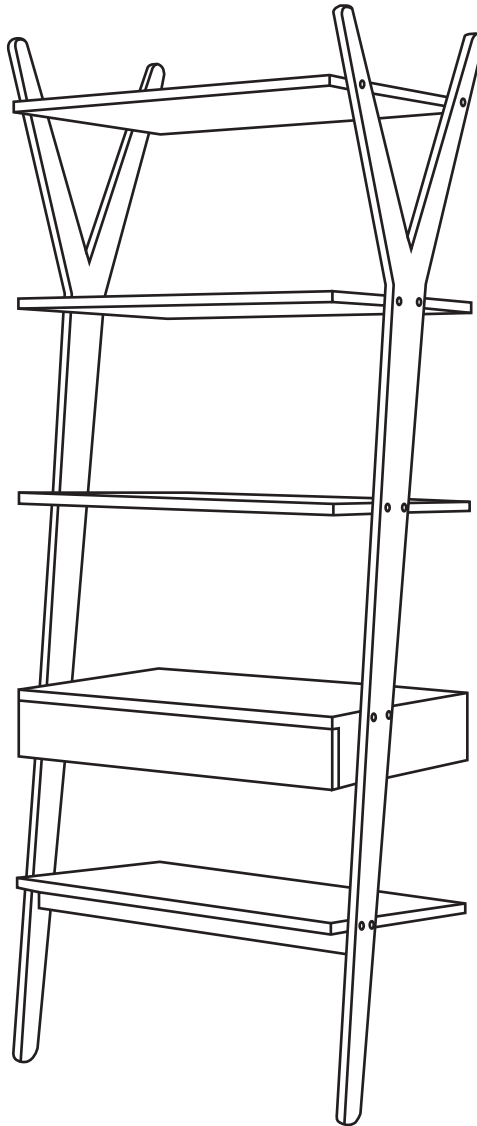


ARTICLE.

VERSION 1.1

Assembly Instructions



LIGNUM

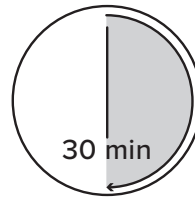
Shelving Unit

ASSEMBLY INSTRUCTIONS

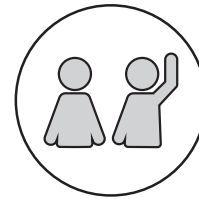
Read these instructions carefully and keep for future reference. Refer to parts inventory for guidance, and ensure you have all pieces before starting.

When assembling, place all parts on a soft, clean, and flat surface such as a carpet to prevent scratches.

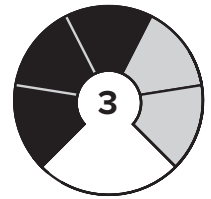
If you're having difficulty, our friendly Customer Care team is always here to help. Call us at **1.888.746.3455** during business hours, email service@article.com or chat live at [article.com](https://www.article.com).



TIME



OF PEOPLE

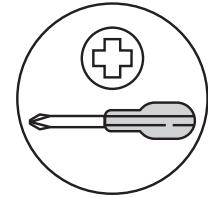


DIFFICULTY



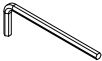


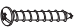

ANTI-TIP

Installation Required



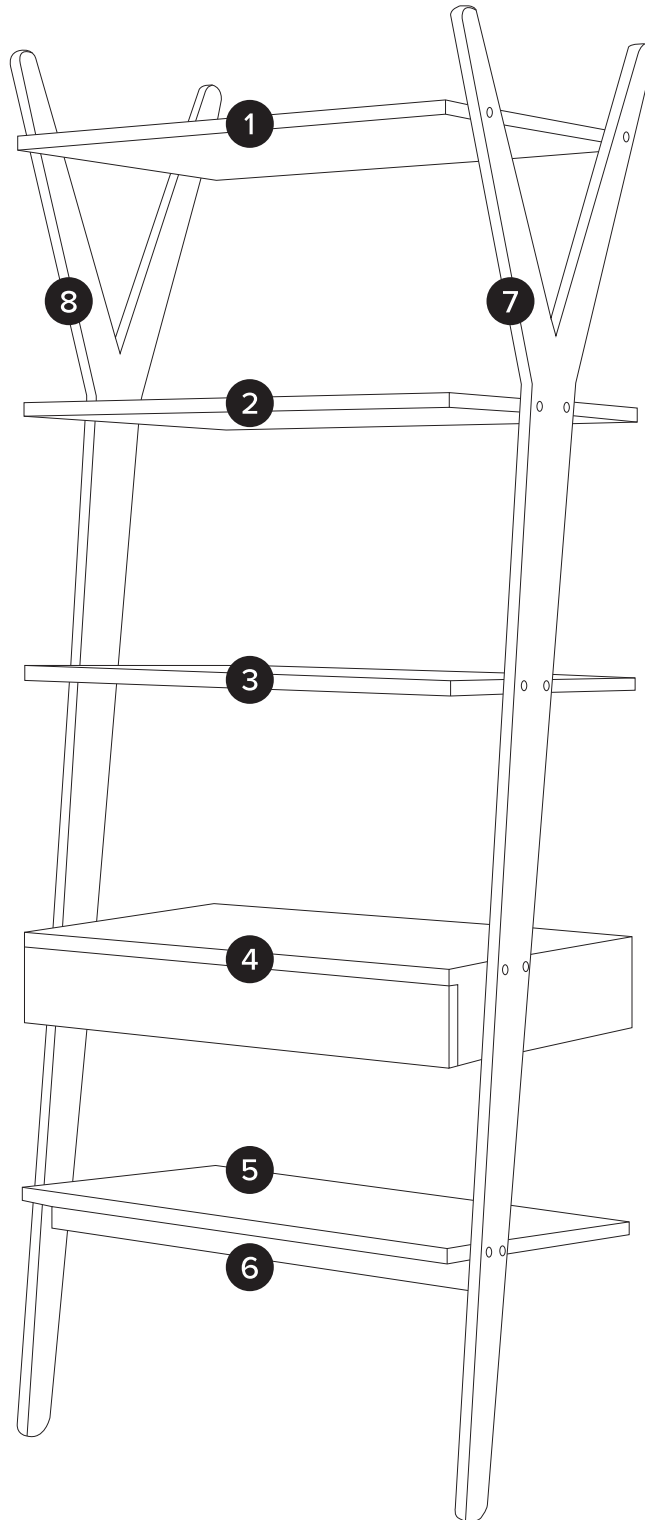
REQUIRED TOOL

PARTS INVENTORY		
ID	DESCRIPTION	QTY
1	TOP SHELF	1
2	SECOND SHELF	1
3	THIRD SHELF	1
4	FOURTH SHELF WITH DRAWER	1
5	BOTTOM SHELF	1
6	BOTTOM SHELF SUPPORT	1
7	RIGHT FRAME	1
8	LEFT FRAME	1
9	ANTI-TIP WALL BRACKET	1

HARDWARE / TOOLS INVENTORY			
ID	DESCRIPTION		QTY
A	ALLEN KEY		1
B	M6 × 30MM BOLT		20
C	WOOD DOWEL		14
D	M4 × 25MM SCREW		4
E	M4 × 50MM SCREW		4

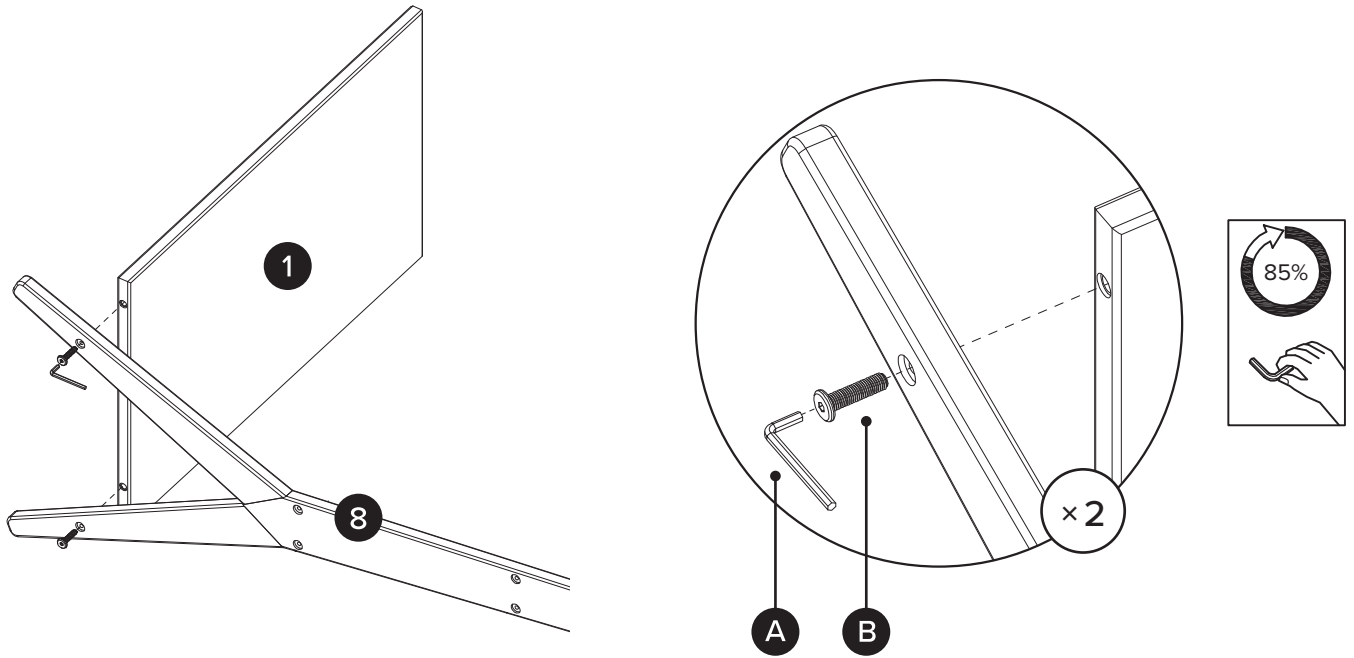


ASSEMBLED UNIT

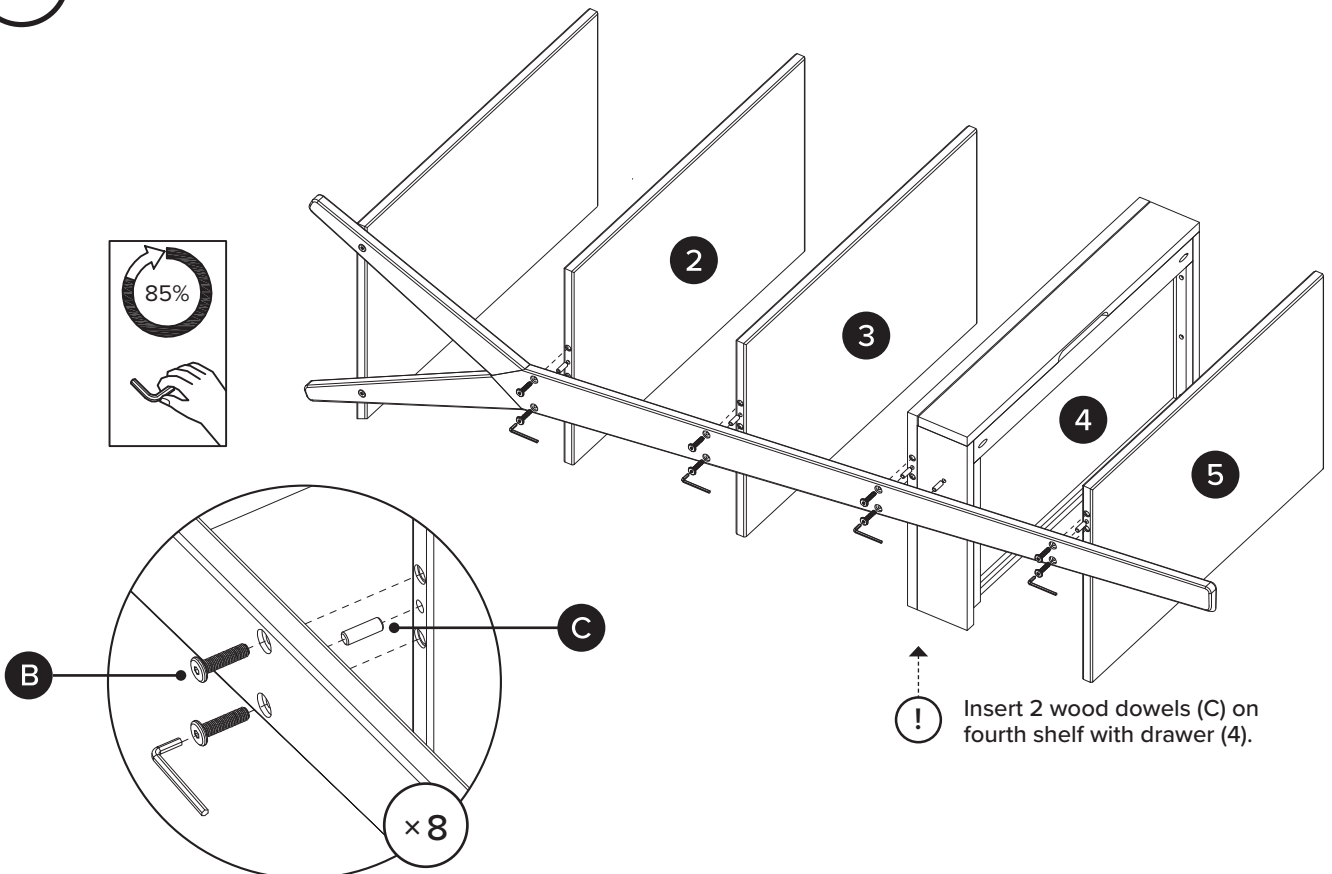


Numbered labels are placed on the front facing side of each part.

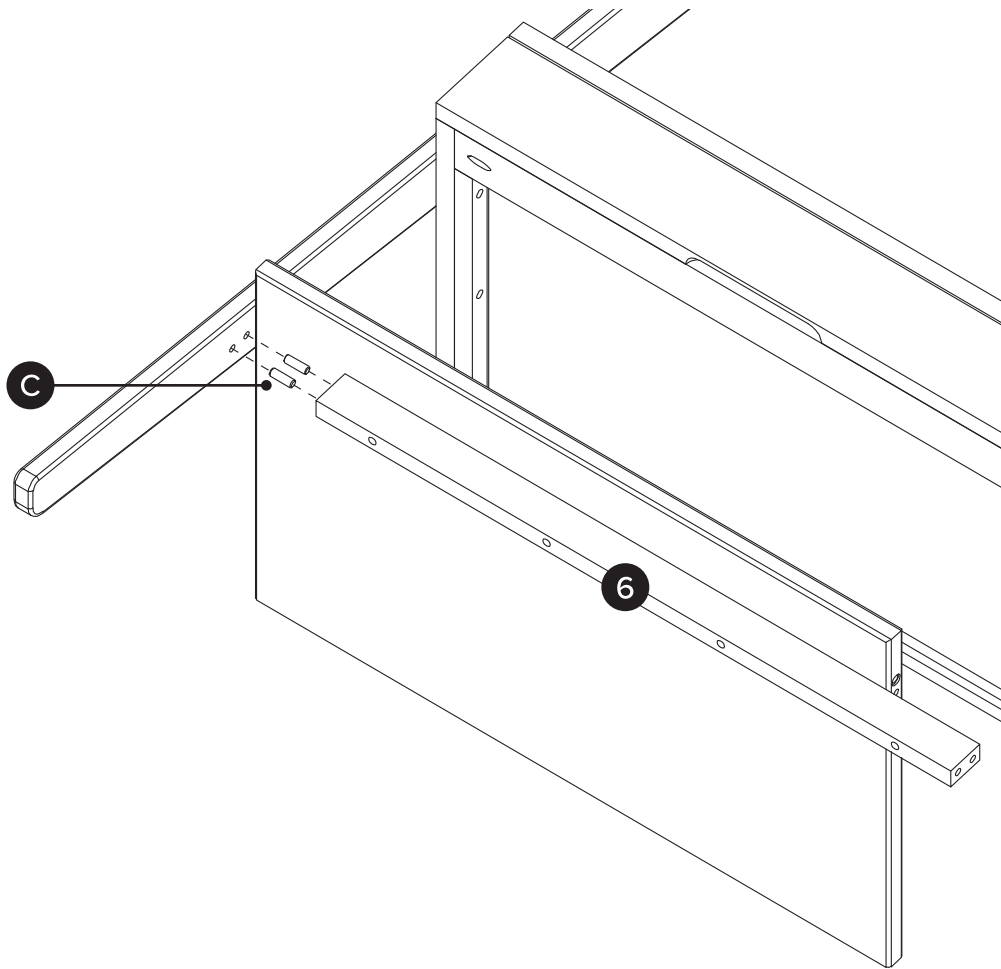
1A



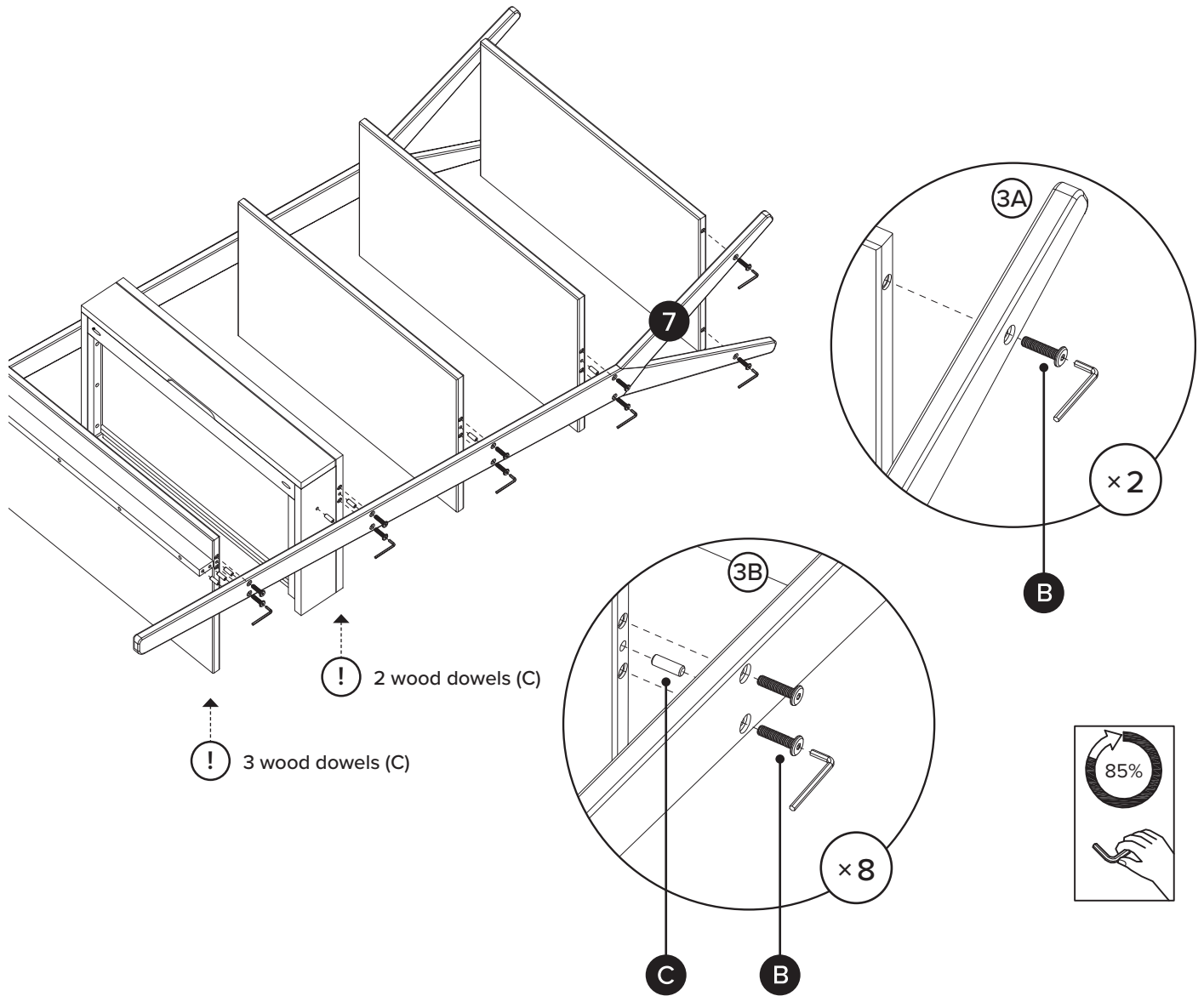
1B



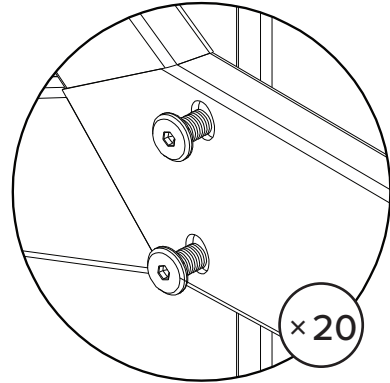
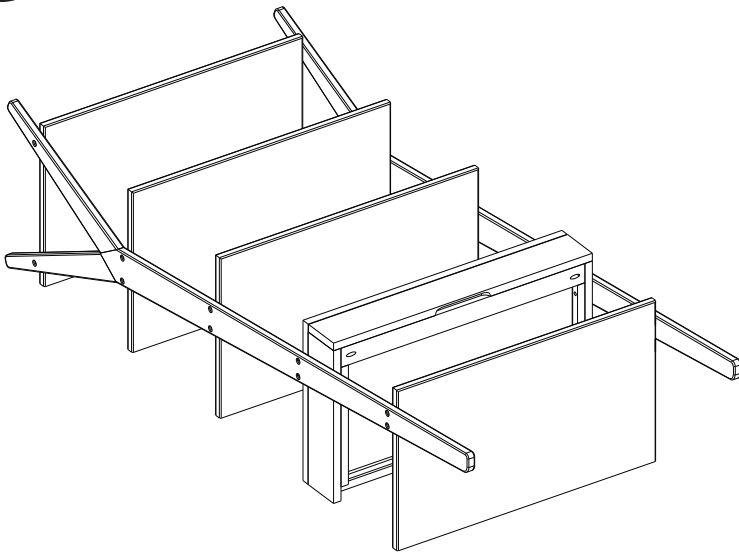
2



3

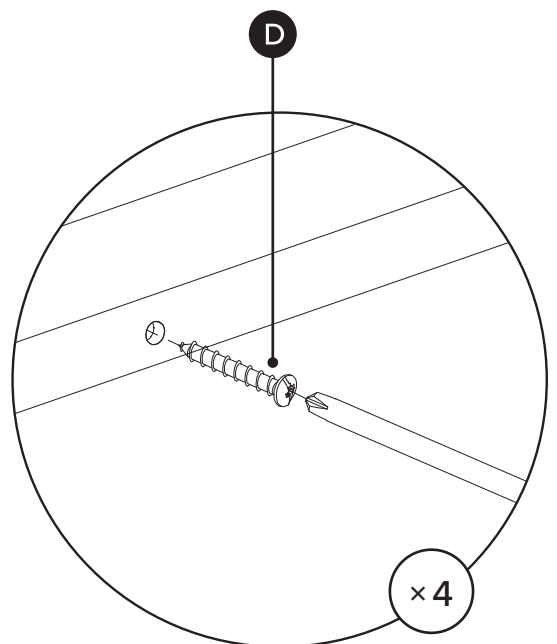
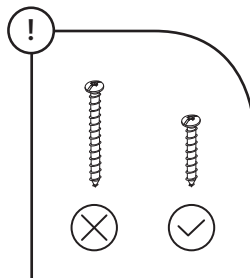
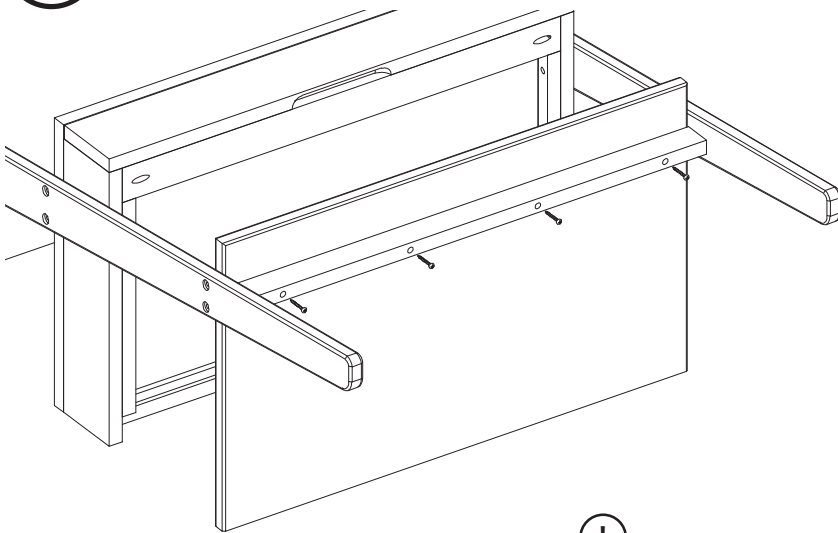


4



! Ensure that all shelves are level before fully tightening all bolts on both side frames.

5





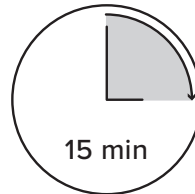
ANTI-TIP RESTRAINT INSTALLATION

WARNING!

Serious or fatal crushing injuries can occur from furniture tip-over. To help prevent tip-over:

- Install tip-over restraint provided.
- Do not set heavy objects on top of this product, unless the product is specifically designed to accommodate them.
- Never allow children to climb or hang on mirrors, shelves, consoles, or cabinets with doors and/or drawers.

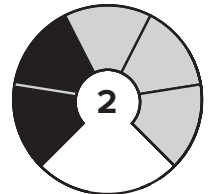
Use of tip-over restraints may only reduce but not eliminate, the risk of tip-over.



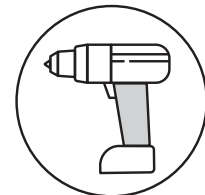
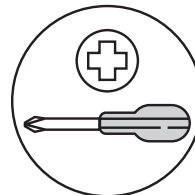
TIME



OF PEOPLE

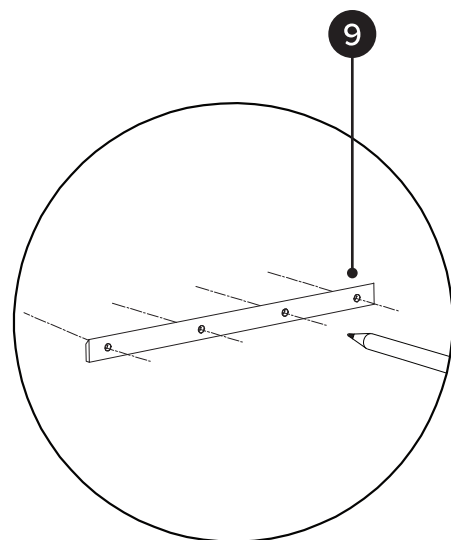
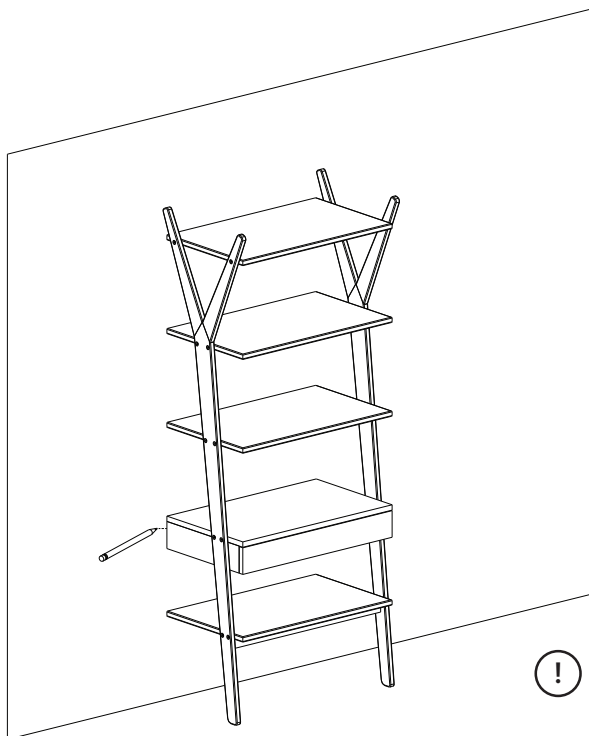



DIFFICULTY



REQUIRED TOOLS

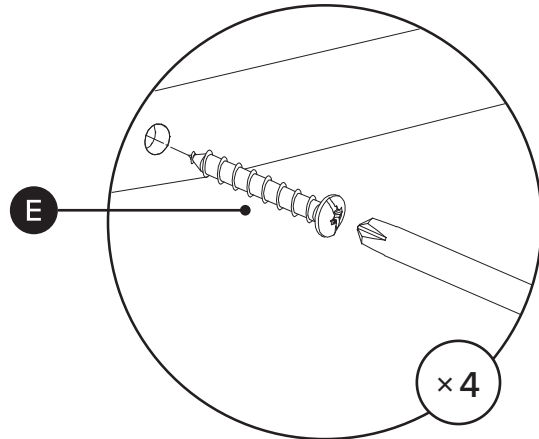
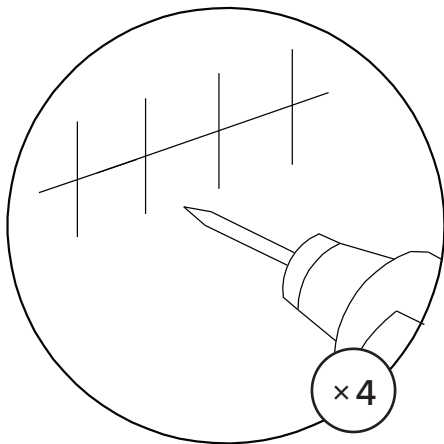
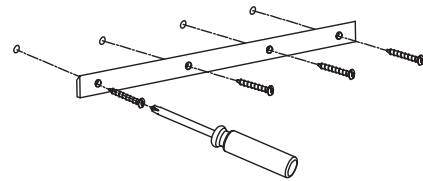
1



 Place unit in desired location and mark on wall where wall bracket (9) should be placed.

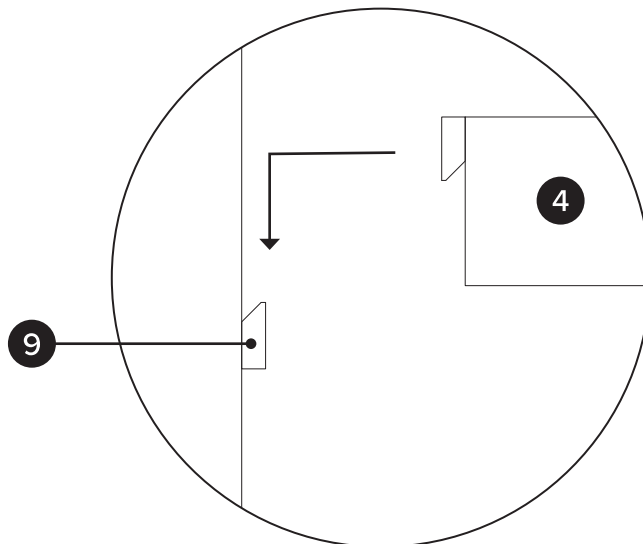
2

! Drill holes into wall stud and attach bracket (9) to wall.



i These screws are for wall studs only. Consult with a hardware store about proper mounting hardware for other materials such as drywall.

3



Fit bracket on shelf onto wall bracket and ensure shelving unit is secure.