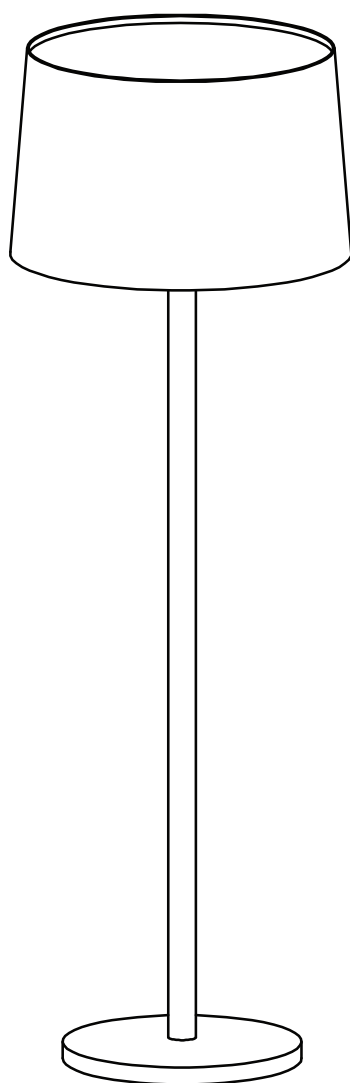


ARTICLE.

VERSION 1.0

Assembly Instructions



ARVO

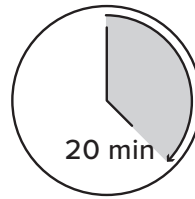
Floor Lamp

ASSEMBLY INSTRUCTIONS

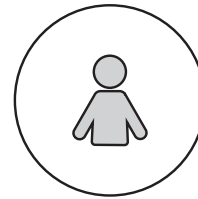
Read these instructions carefully and keep for future reference. Refer to parts inventory for guidance, and ensure you have all pieces before starting.

When assembling, place all parts on a soft, clean, and flat surface such as a carpet to prevent scratches.

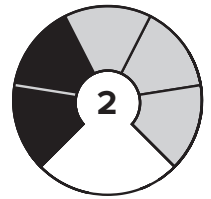
If you're having difficulty, our friendly Customer Care team is always here to help. Call us at **1.888.746.3455** during business hours, email service@article.com or chat live at [article.com](https://www.article.com).




TIME



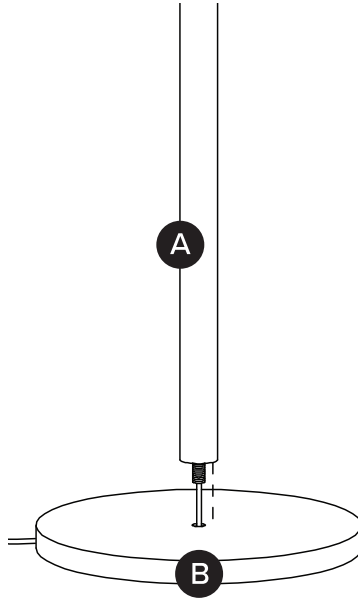
OF PEOPLE



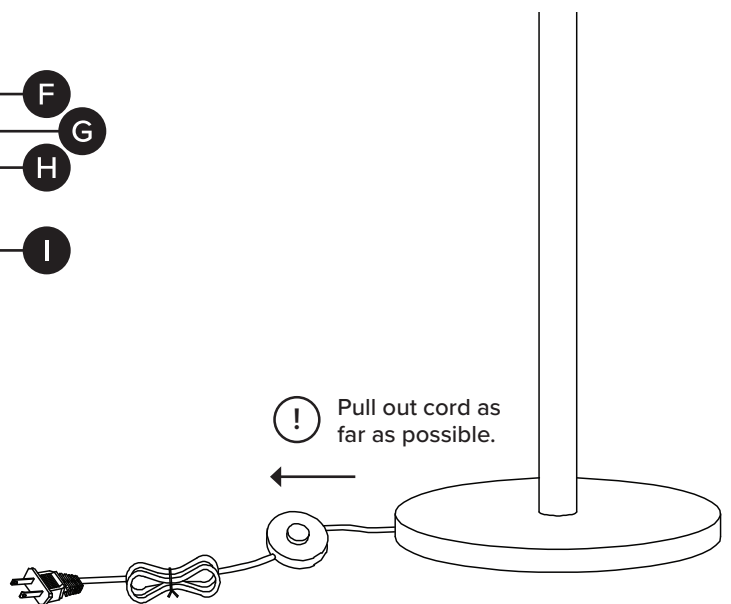
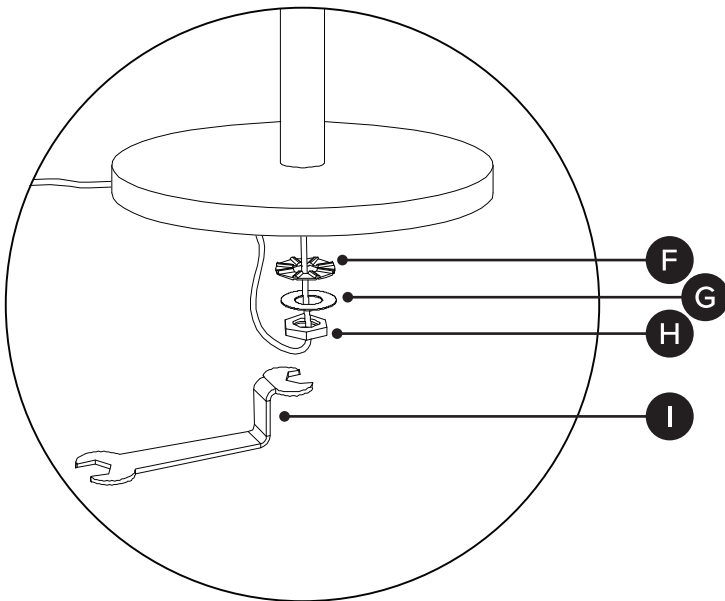
DIFFICULTY

PARTS INVENTORY		
ID	DESCRIPTION	QTY
A	LAMP STAND	1
B	BASE	1
C	SOCKET RING (PRE-INSTALLED) 	1
D	SHADE	1
E	BULB (E26 4W LED A19)	1
F	FLAT WASHER (PRE-INSTALLED)	1
G	WASHER (PRE-INSTALLED)	1
H	NUT (PRE-INSTALLED)	1
I	WRENCH	1

1

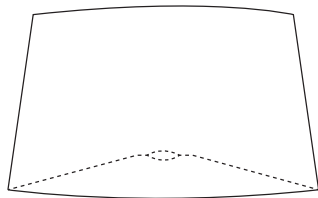
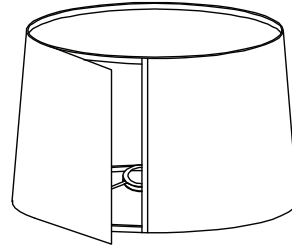
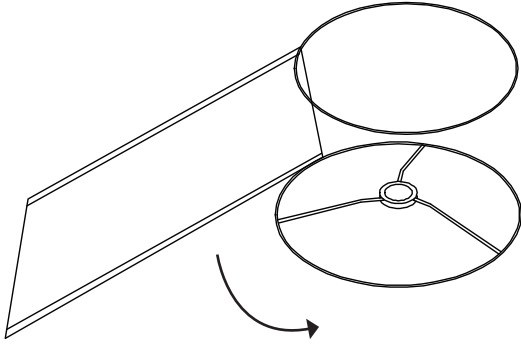


2



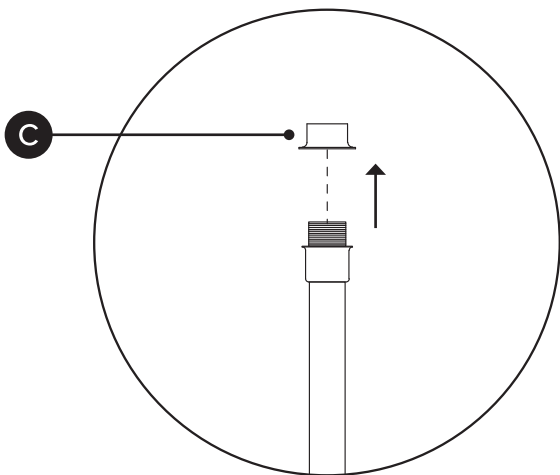
3

! Wrap shade around frame.



! Ensure that framing is angled up inside shade before attaching to lamp stand.

4



! Unscrew socket ring (C) from socket before attaching shade.

