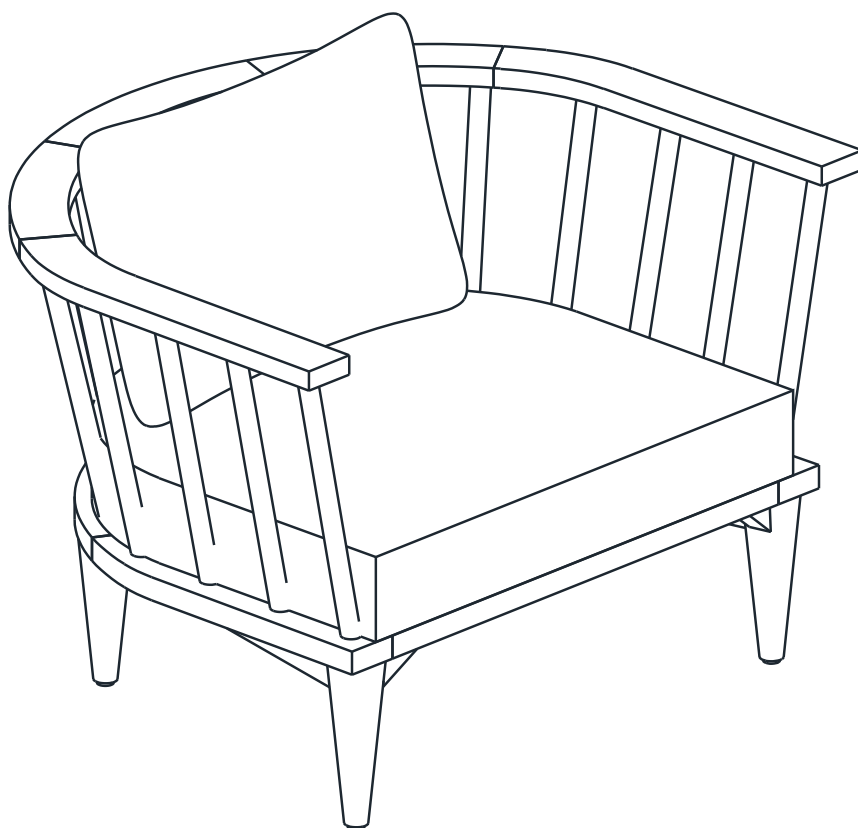


ARTICLE.

VERSION 1.0

Assembly Instructions



SORA

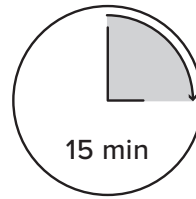
Lounge Chair

ASSEMBLY INSTRUCTIONS

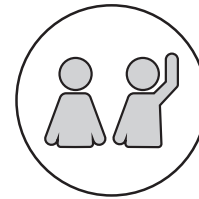
Read these instructions carefully and keep for future reference. Refer to parts inventory for guidance, and ensure you have all pieces before starting.

When assembling, place all parts on a soft, clean, and flat surface such as a carpet to prevent scratches.

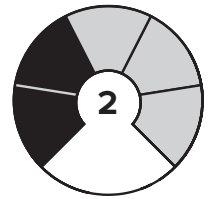
If you're having difficulty, our friendly Customer Care team is always here to help. Call us at **1.888.746.3455** during business hours, email service@article.com or chat live at [article.com](https://www.article.com).



TIME


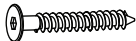



OF PEOPLE

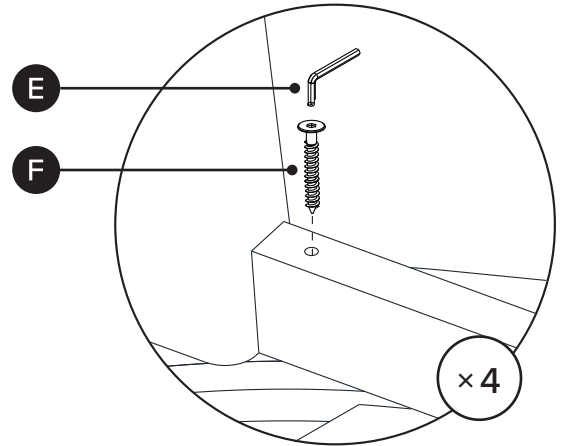
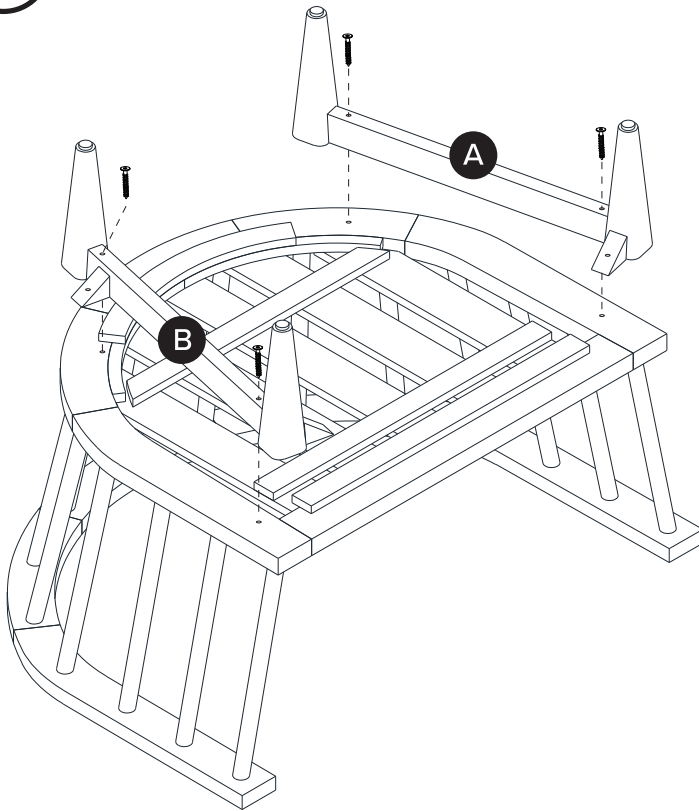


DIFFICULTY

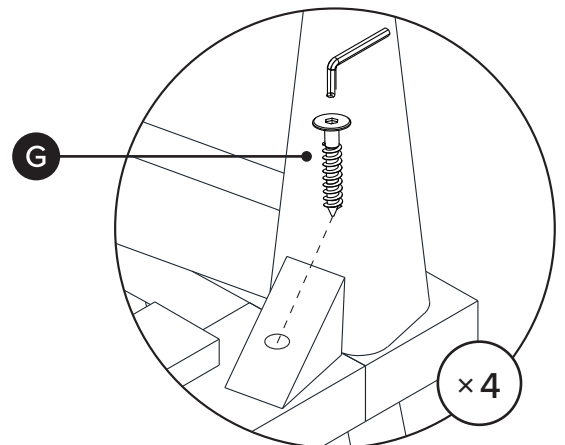
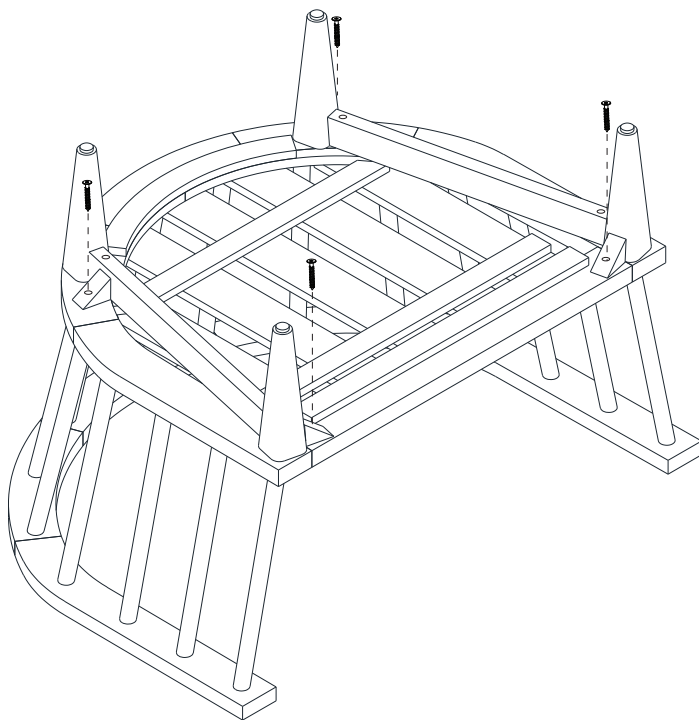
! Hardware may loosen over time, check the bolts regularly and tighten if necessary.

| PARTS INVENTORY | | |
|-----------------|---|-----|
| ID | DESCRIPTION | QTY |
| A | RIGHT LEG FRAME | 1 |
| B | LEFT LEG FRAME | 1 |
| C | SEAT CUSHION | 1 |
| D | BACK CUSHION | 1 |
| E | ALLEN KEY  | 1 |
| F | M6 × 65MM SCREW  | 4 |
| G | M6 × 35MM SCREW  | 4 |

1



2



3

