

ARTICLE.

VERSION 1.0

Assembly Instructions



MADERA

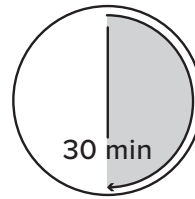
Desk

ASSEMBLY INSTRUCTIONS

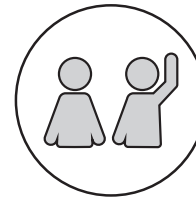
Read these instructions carefully and keep for future reference. Refer to parts inventory for guidance, and ensure you have all pieces before starting.

When assembling, place all parts on a soft, clean, and flat surface such as a carpet to prevent scratches.

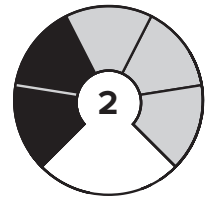
If you're having difficulty, our friendly Customer Care team is always here to help. Call us at **1.888.746.3455** during business hours, email service@article.com or chat live at [article.com](https://www.article.com).




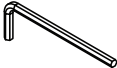
TIME



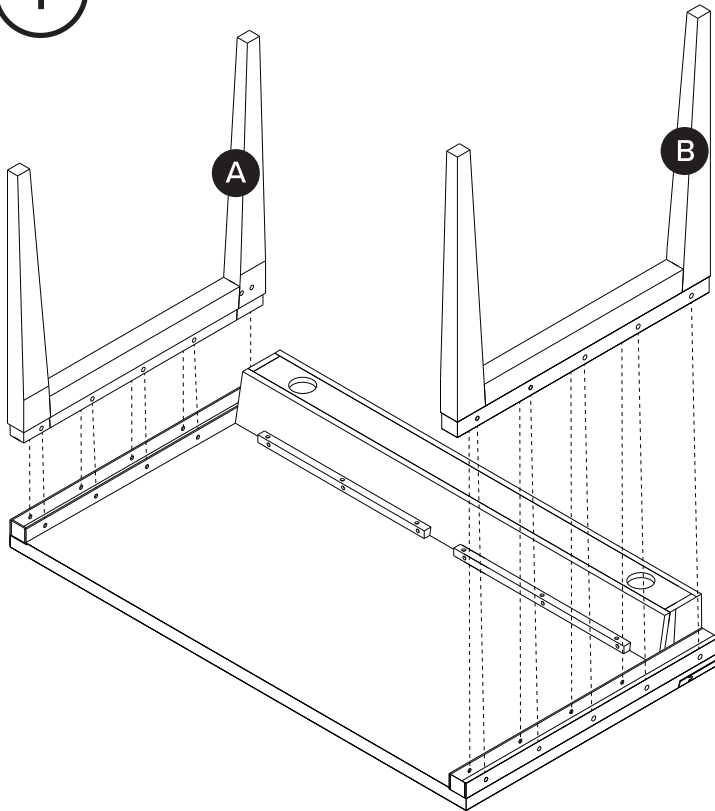
OF PEOPLE



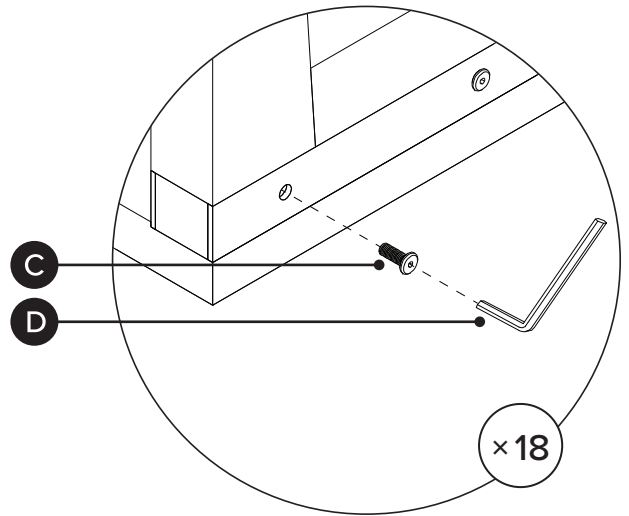
DIFFICULTY

PARTS INVENTORY		
ID	DESCRIPTION	QTY
A	RIGHT LEG	1
B	LEFT LEG	1
C	M8 × 20MM BOLT 	22
D	ALLEN KEY 	2

1



! Note there is only 1 bolt at the back end of the legs.



2

