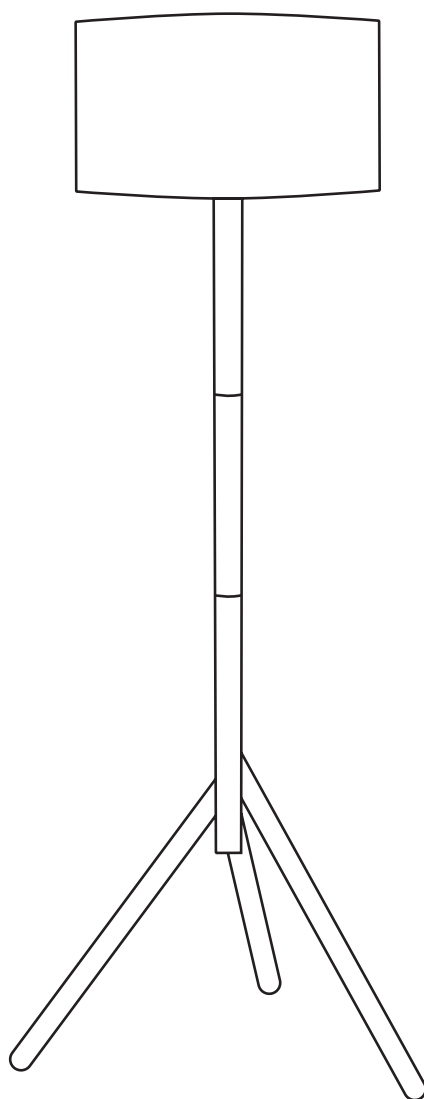


ARTICLE.

VERSION 1.2

Assembly Instructions



STILT

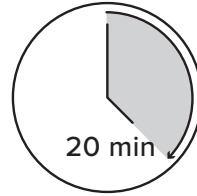
Floor Lamp

ASSEMBLY INSTRUCTIONS

Read these instructions carefully and keep for future reference. Refer to parts inventory for guidance, and ensure you have all pieces before starting.

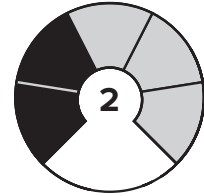
When assembling, place all parts on a soft, clean, and flat surface such as a carpet to prevent scratches.

If you're having difficulty, our friendly Customer Care team is always here to help. Call us at **1.888.746.3455** during business hours, email service@article.com or chat live at [article.com](https://www.article.com).



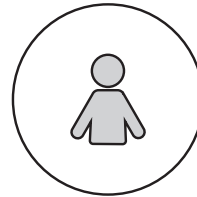
20 min

TIME

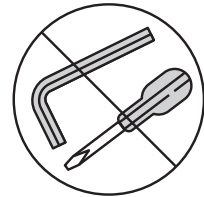


2


DIFFICULTY



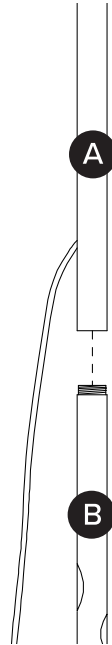
OF PEOPLE



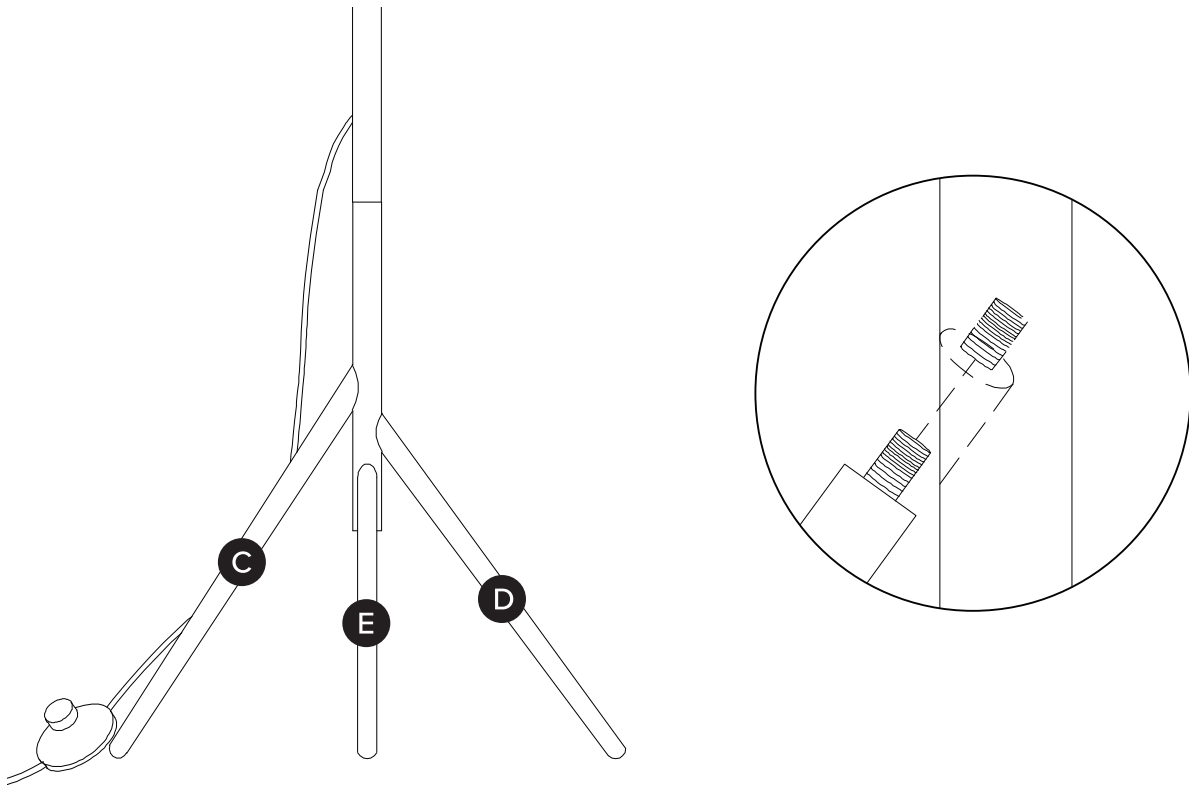
TOOL FREE

PARTS INVENTORY		
ID	DESCRIPTION	QTY
A	LAMP TOP SEGMENT & CORD	1
B	LAMP BOTTOM SEGMENT	1
C	LONG LEG	1
D	MEDIUM LEG	1
E	SHORT LEG	1
F	SHADE	1
G	BULB (E26 4W LED A19)	1
H	SOCKET RING (PRE-INSTALLED) 	1

1

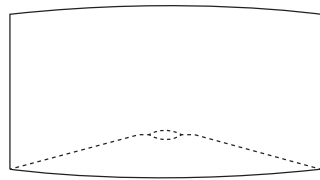
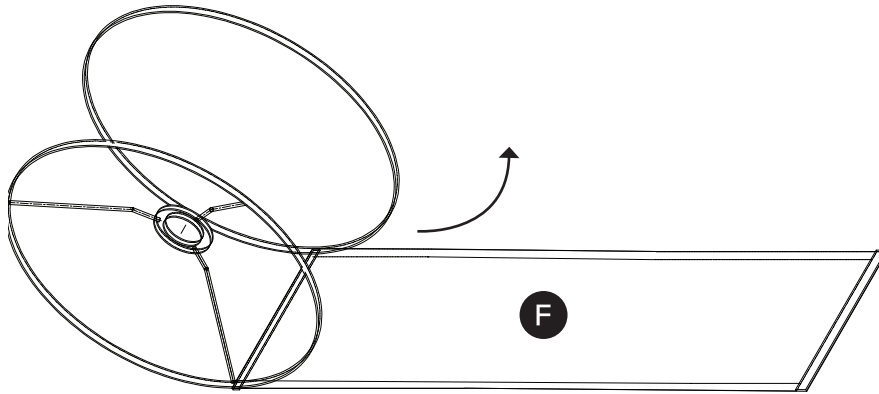


2



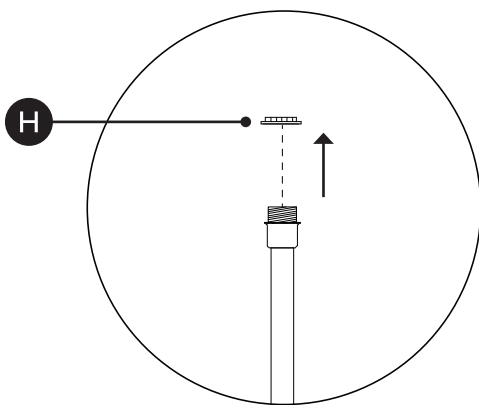
3

! Wrap shade around frame.



! Ensure that framing is angled up inside shade before attaching to lamp stand.

4



! Unscrew socket ring (H) from socket before attaching shade.

