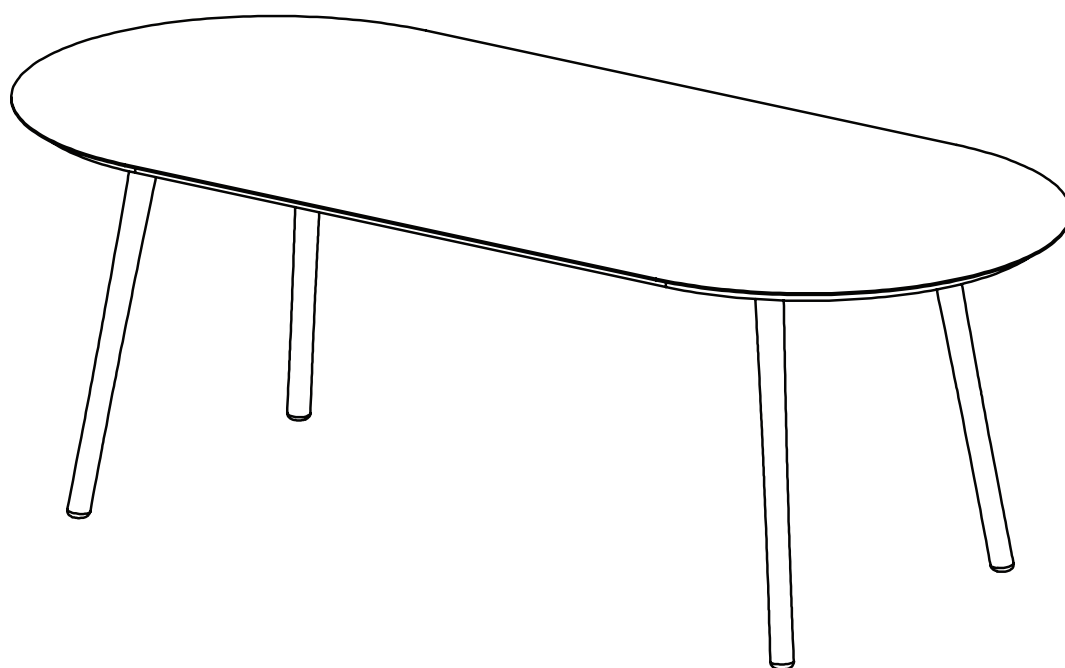


ARTICLE.

VERSION 1.1

Assembly Instructions



BALLO

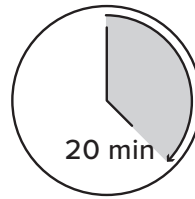
Oval Dining Table

ASSEMBLY INSTRUCTIONS

Read these instructions carefully and keep for future reference. Refer to parts inventory for guidance, and ensure you have all pieces before starting.

When assembling, place all parts on a soft, clean, and flat surface such as a carpet to prevent scratches.

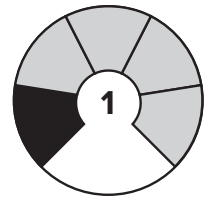
If you're having difficulty, our friendly Customer Care team is always here to help. Call us at **1.888.746.3455** during business hours, email service@article.com or chat live at [article.com](https://www.article.com).



TIME



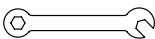



OF PEOPLE



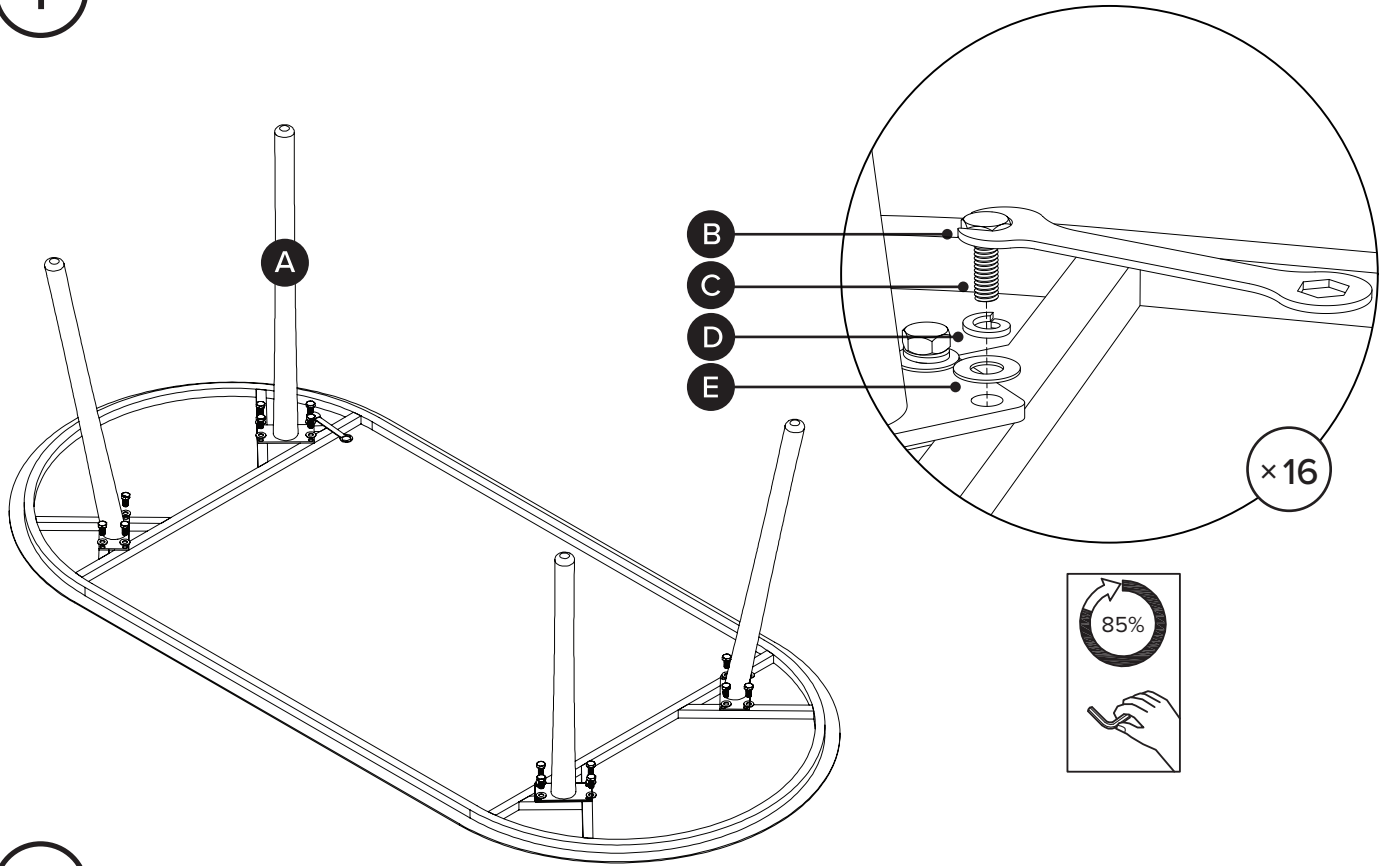
DIFFICULTY



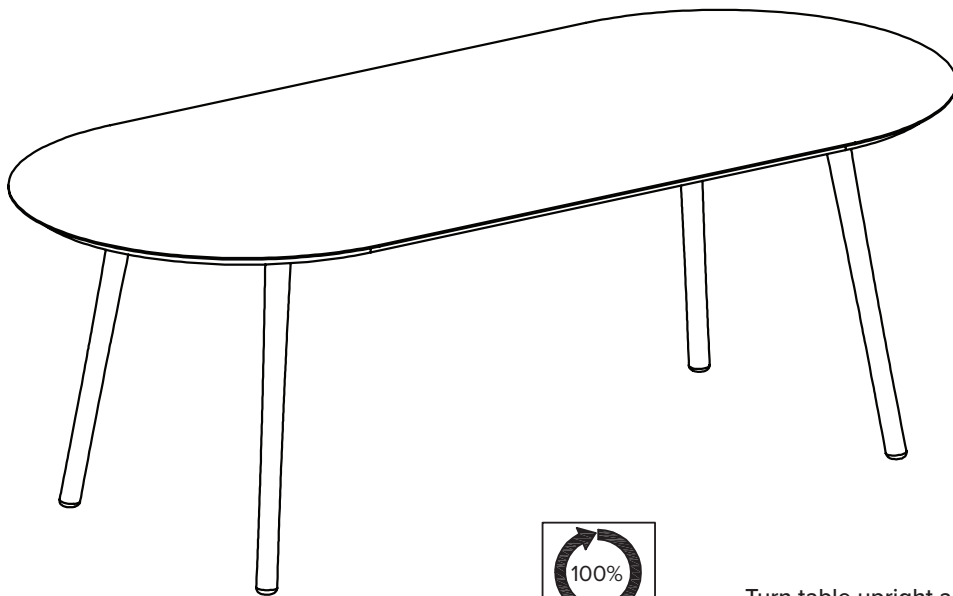
Hardware may loosen over time, check the bolts regularly and tighten if necessary.

PARTS INVENTORY		
ID	DESCRIPTION	QTY
A	LEG	4
B	WRENCH 	1
C	M8 × 20MM BOLT 	16
D	LOCK WASHER 	16
E	WASHER 	16

1



2



! Turn table upright and ensure legs are level while fully tightening all bolts gradually.