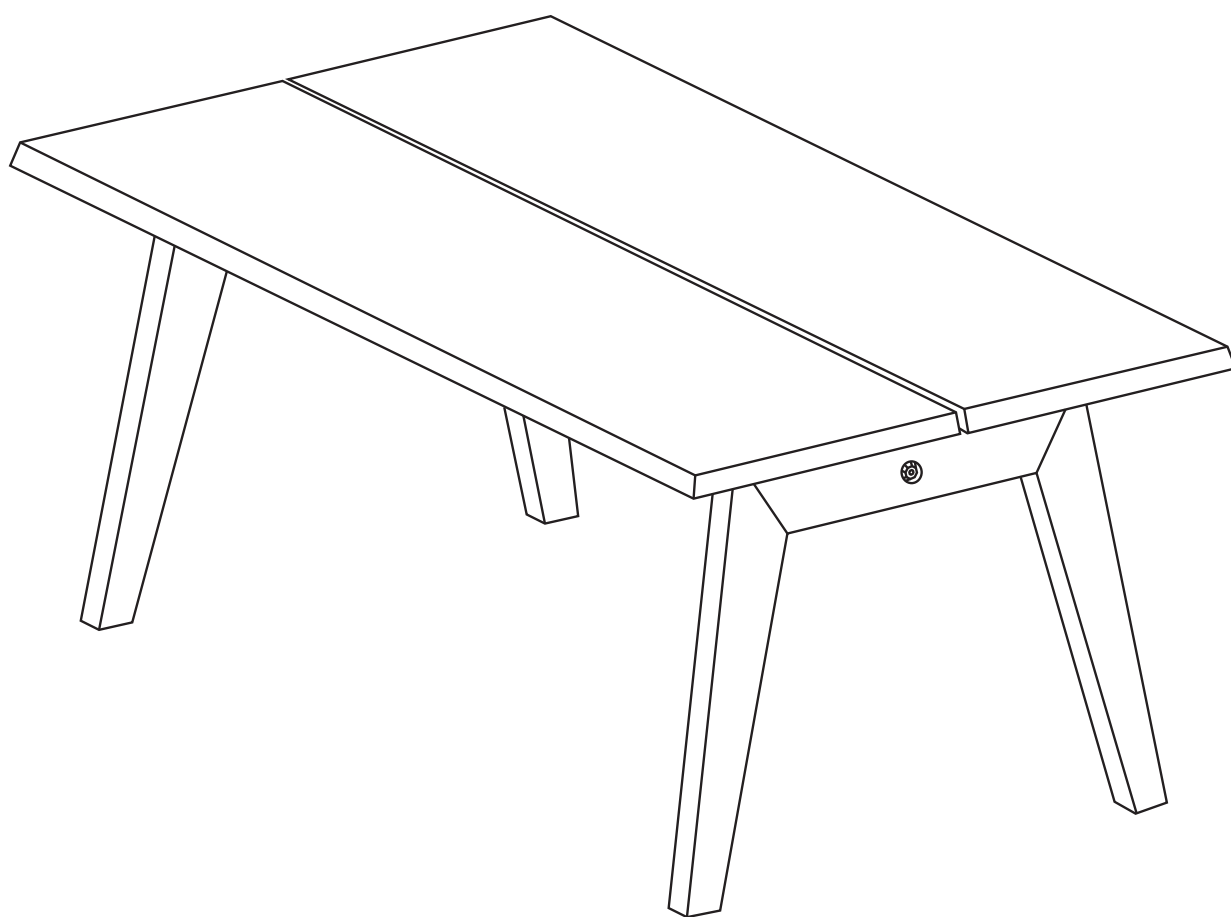


ARTICLE.

VERSION 1.1

Assembly Instructions



MADERA

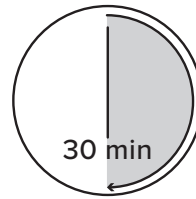
Dining Table

ASSEMBLY INSTRUCTIONS

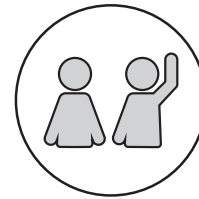
Read these instructions carefully and keep for future reference. Refer to parts inventory for guidance, and ensure you have all pieces before starting.

When assembling, place all parts on a soft, clean, and flat surface such as a carpet to prevent scratches.

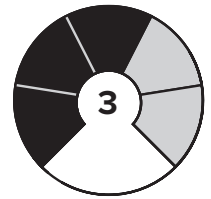
If you're having difficulty, our friendly Customer Care team is always here to help. Call us at **1.888.746.3455** during business hours, email service@article.com or chat live at [article.com](https://www.article.com).



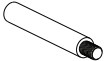
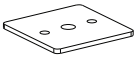
TIME





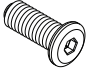
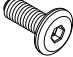



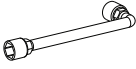


OF PEOPLE

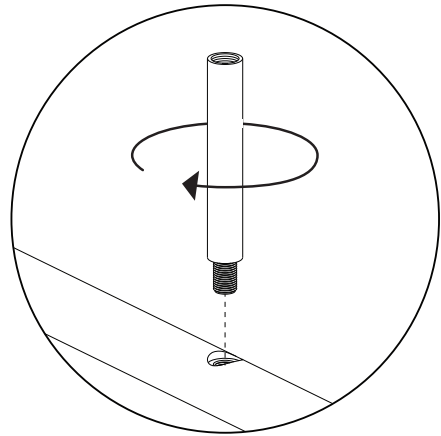
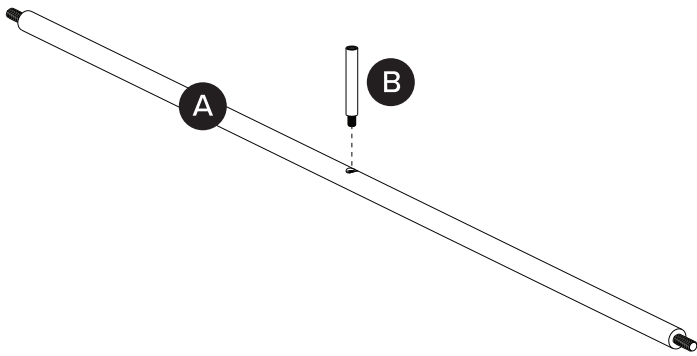
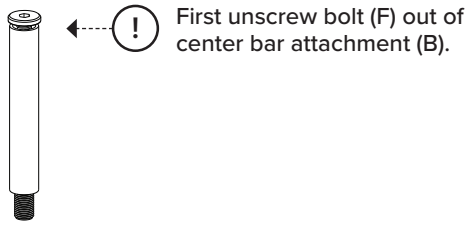


DIFFICULTY

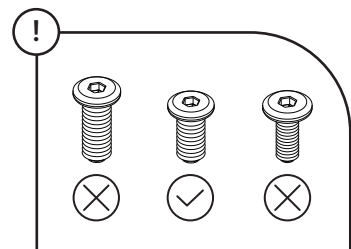
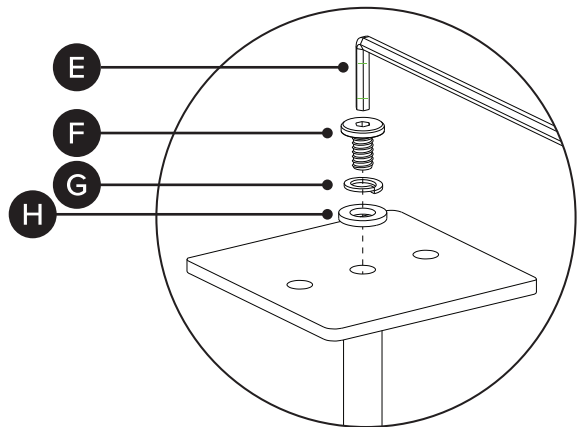
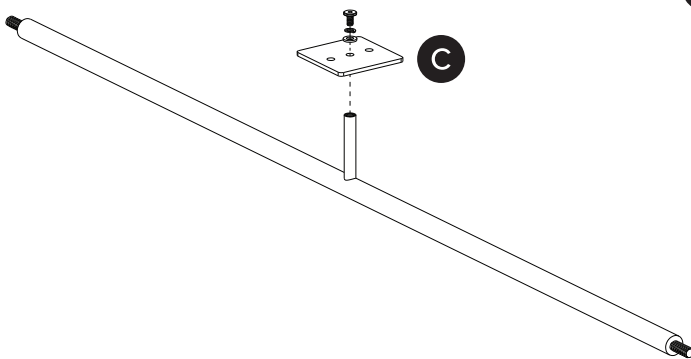
PARTS INVENTORY		
ID	DESCRIPTION	QTY
A	CENTER BAR	1
B	CENTER BAR ATTACHMENT 	1
C	CENTER BAR BRACKET 	1
D	LEGS	2

PARTS INVENTORY CONT.			
ID	DESCRIPTION		QTY
E	ALLEN KEY 		2
F	M8 × 20MM BOLT 		1
G	M8 LOCK WASHER 		17
H	M8 WASHER 		17
I	M8 × 30MM BOLT 		16
J	M6 × 20MM BOLT 		2
K	M6 LOCK WASHER 		2
L	M6 WASHER 		2
M	NUT 		2
N	SOCKET WRENCH 		1

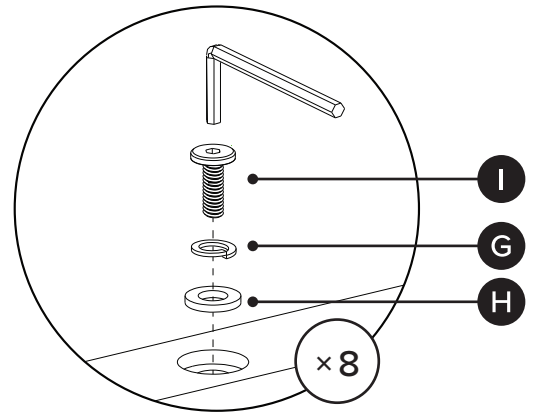
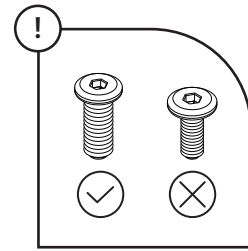
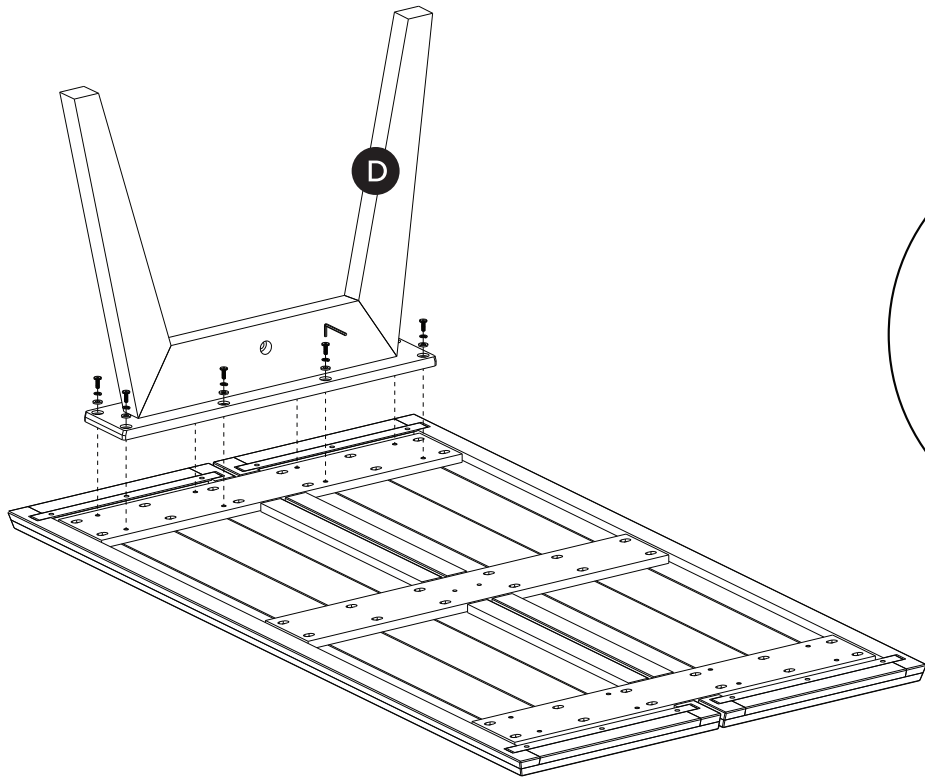
1A



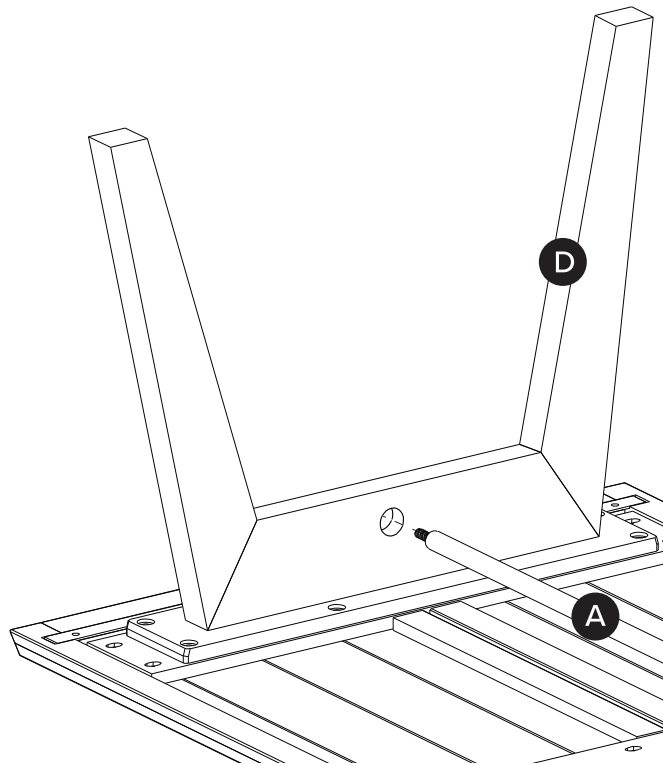
1B



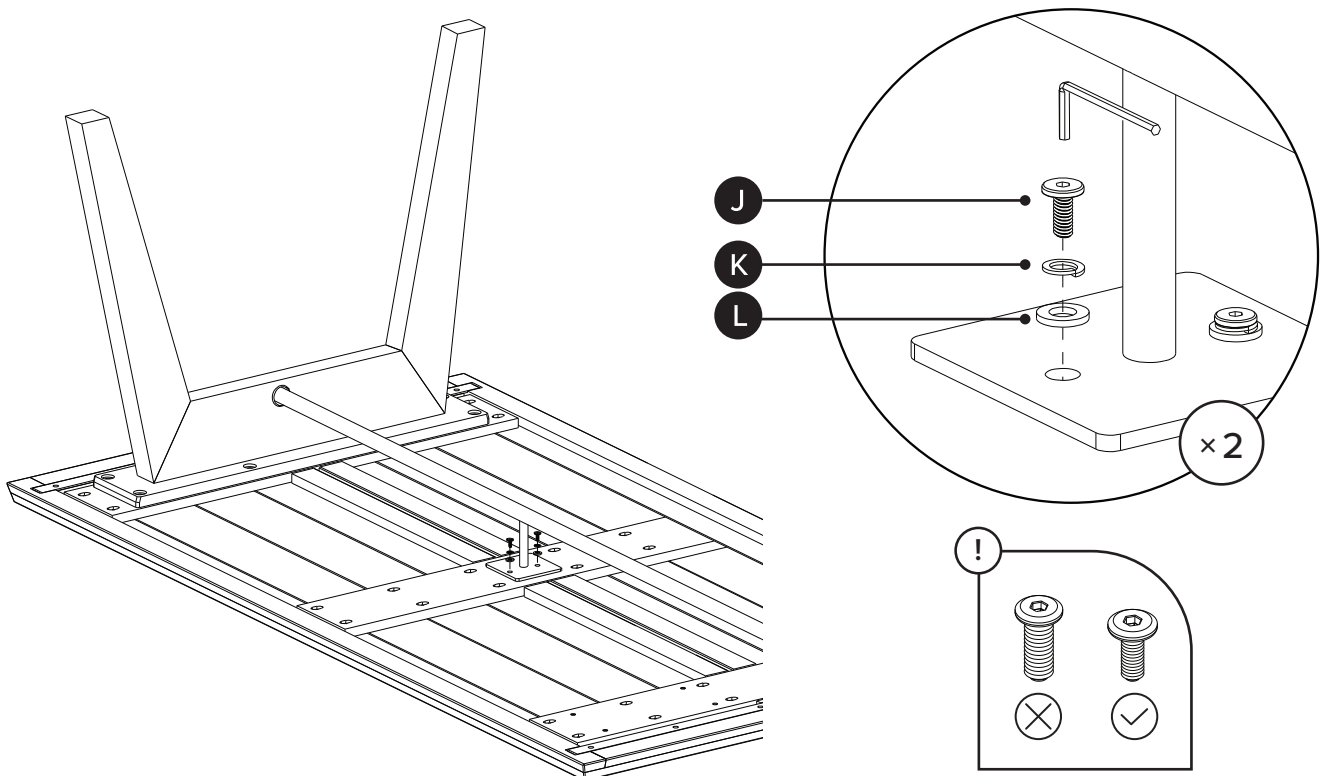
2



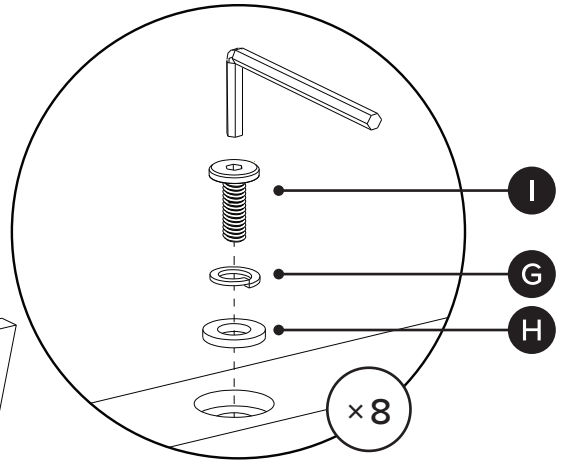
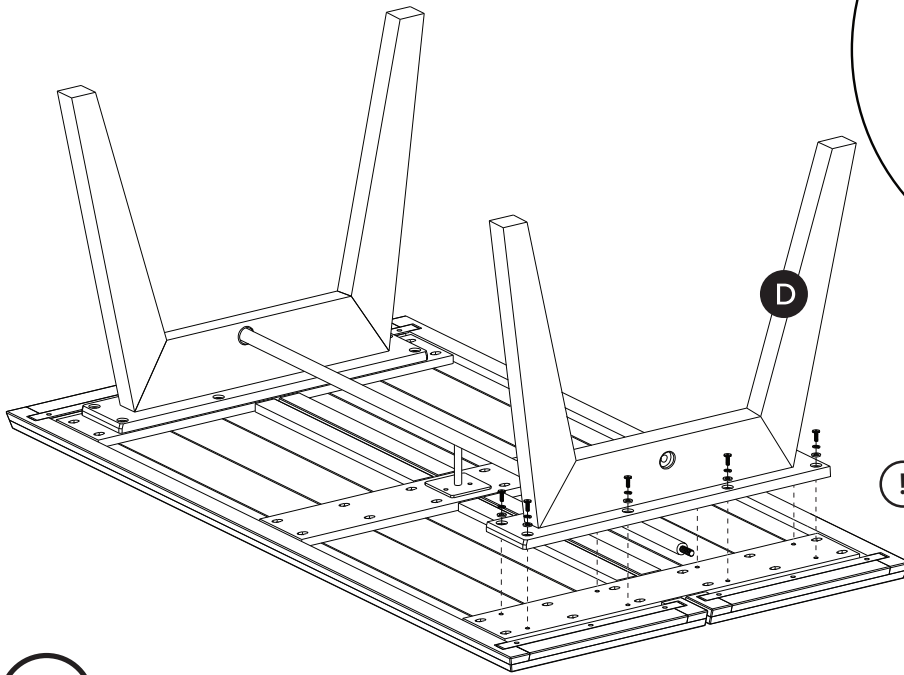
3A



3B

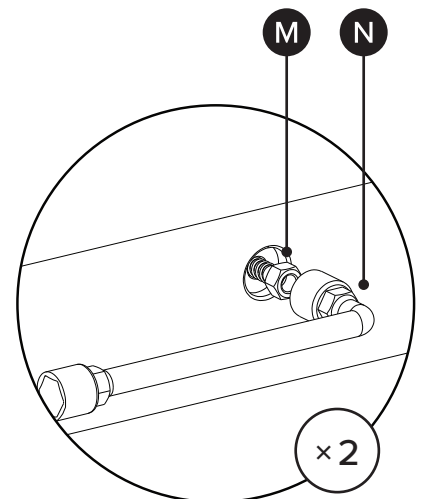
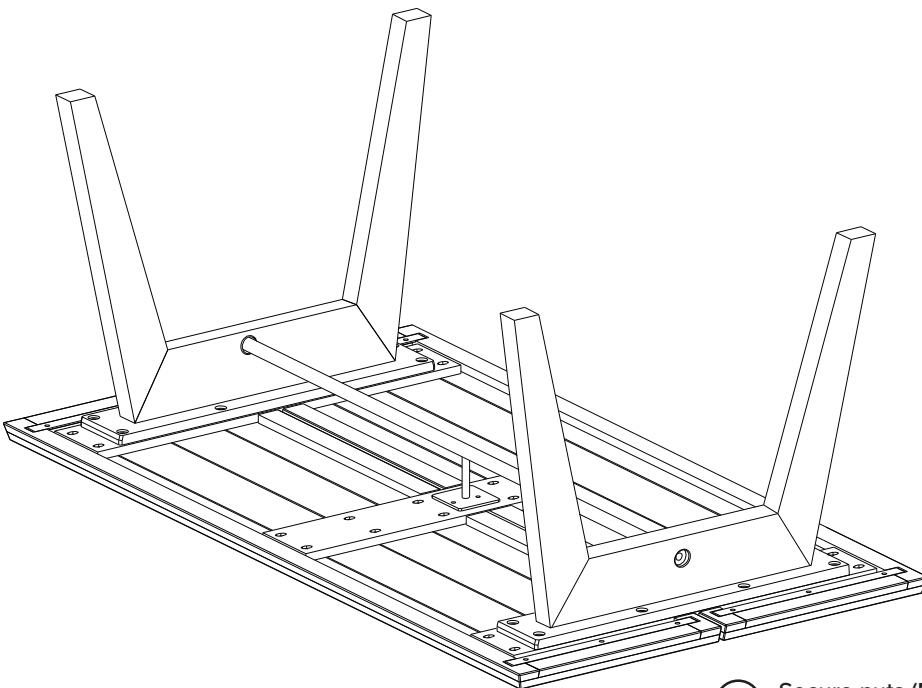


4



! Put center bar (A) in hole in leg (D) before bolting leg to table top.

5



! Secure nuts (M) on both ends of center bar after legs are bolted to table top.