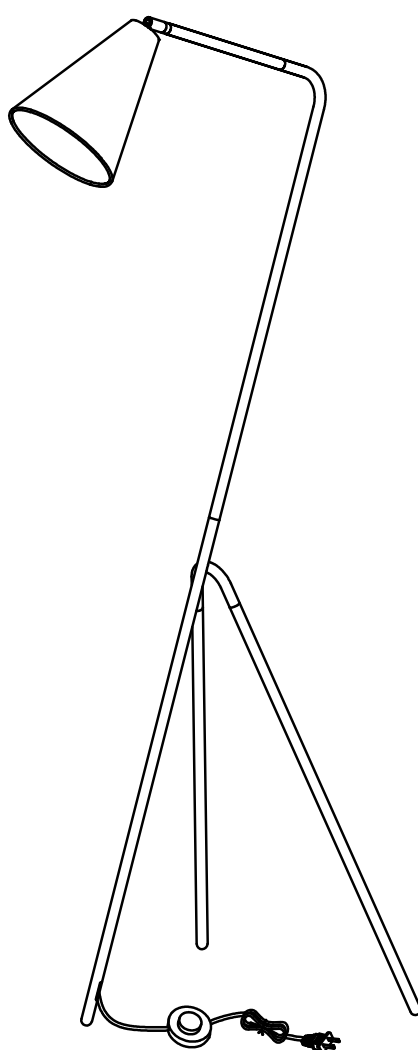


ARTICLE.

VERSION 1.1

Assembly Instructions



GIRA

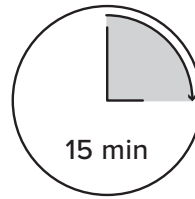
Floor Lamp

ASSEMBLY INSTRUCTIONS

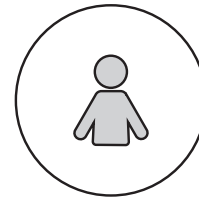
Read these instructions carefully and keep for future reference. Refer to parts inventory for guidance, and ensure you have all pieces before starting.

When assembling, place all parts on a soft, clean, and flat surface such as a carpet to prevent scratches.

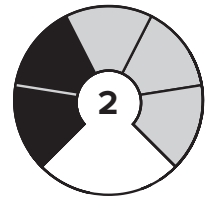
If you're having difficulty, our friendly Customer Care team is always here to help. Call us at **1.888.746.3455** during business hours, email service@article.com or chat live at [article.com](https://www.article.com).







TIME



OF PEOPLE

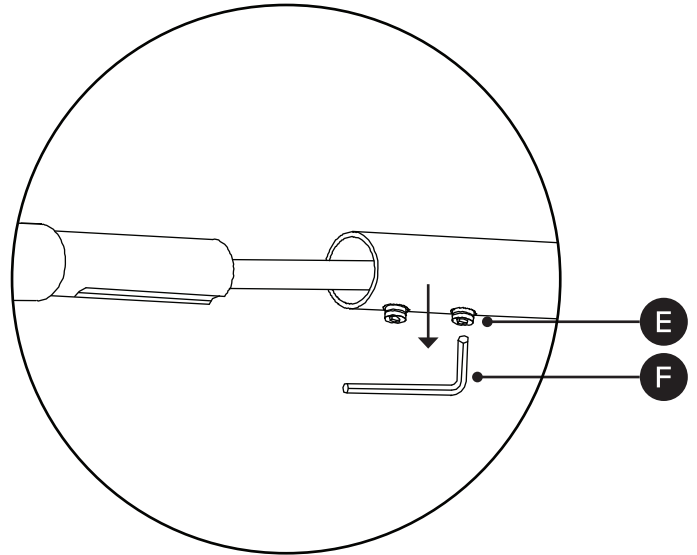
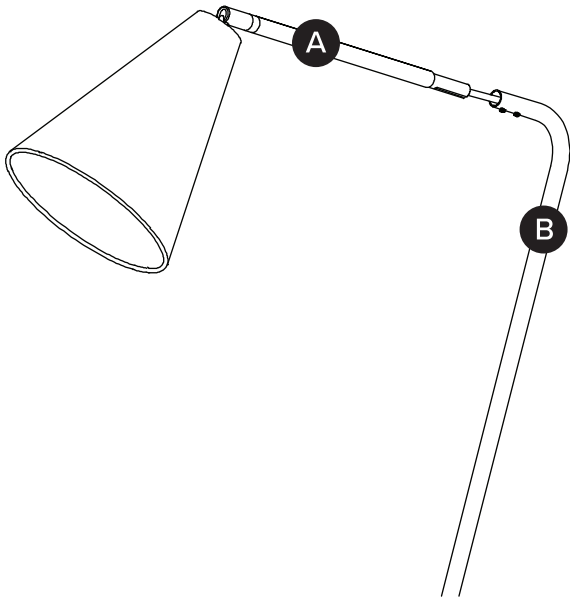


DIFFICULTY

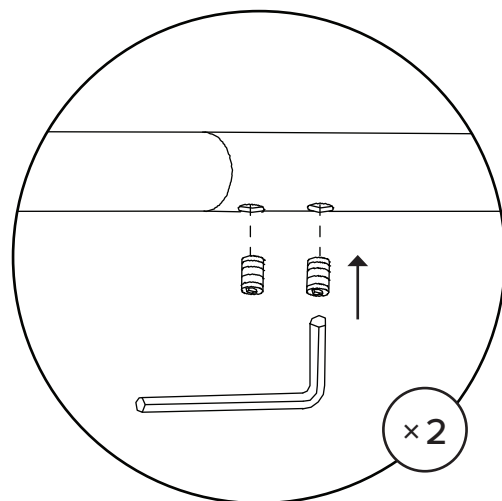
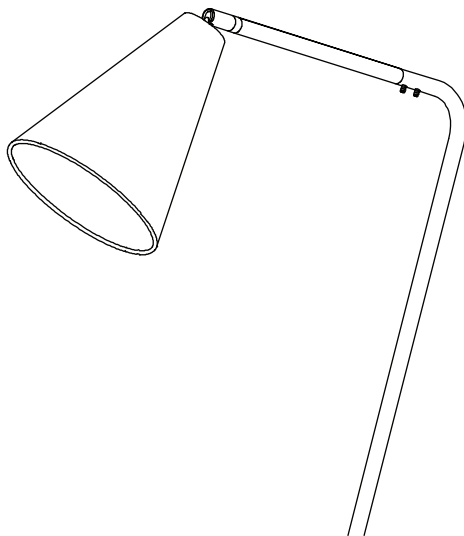
PARTS INVENTORY		
ID	DESCRIPTION	QTY
A	SHADE SEGMENT	1
B	LAMP TOP SEGMENT	1
C	LAMP BOTTOM SEGMENT	1
D	LEG	2
E	SET SCREW (1 SPARE INCLUDED) 	2 + 1
F	2MM ALLEN KEY 	1
G	SCREW 	2
H	2.5MM ALLEN KEY 	1
I	BULB (E26 4W LED A19)	1

1

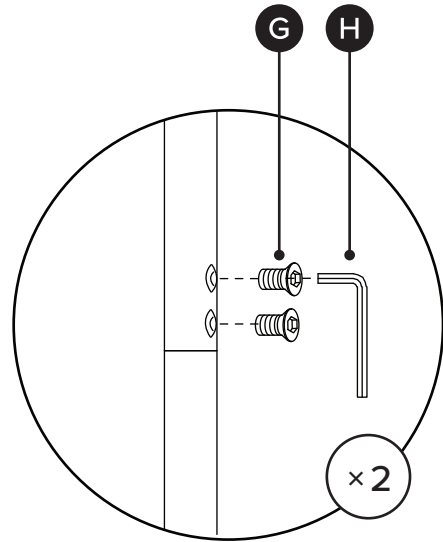
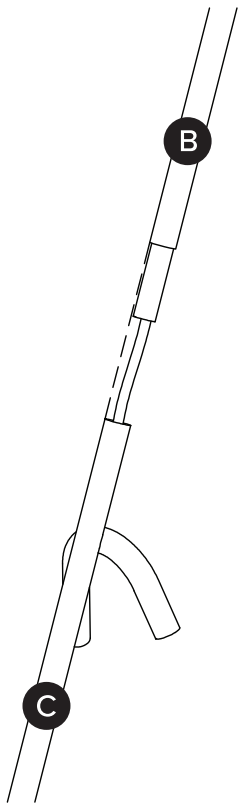
! Unscrew screws (E) from lamp top segment (B) before attaching to lamp shade segment (A).



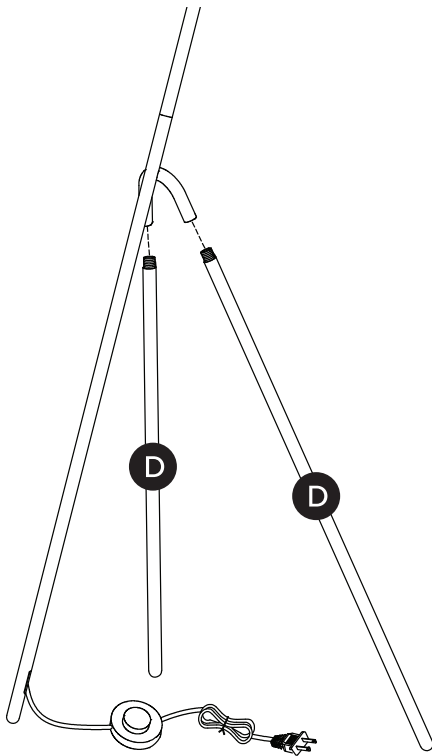
! Align notch on lamp shade segment (A) with holes on lamp top segment (B) and attach with screws (E).



2



3



4

