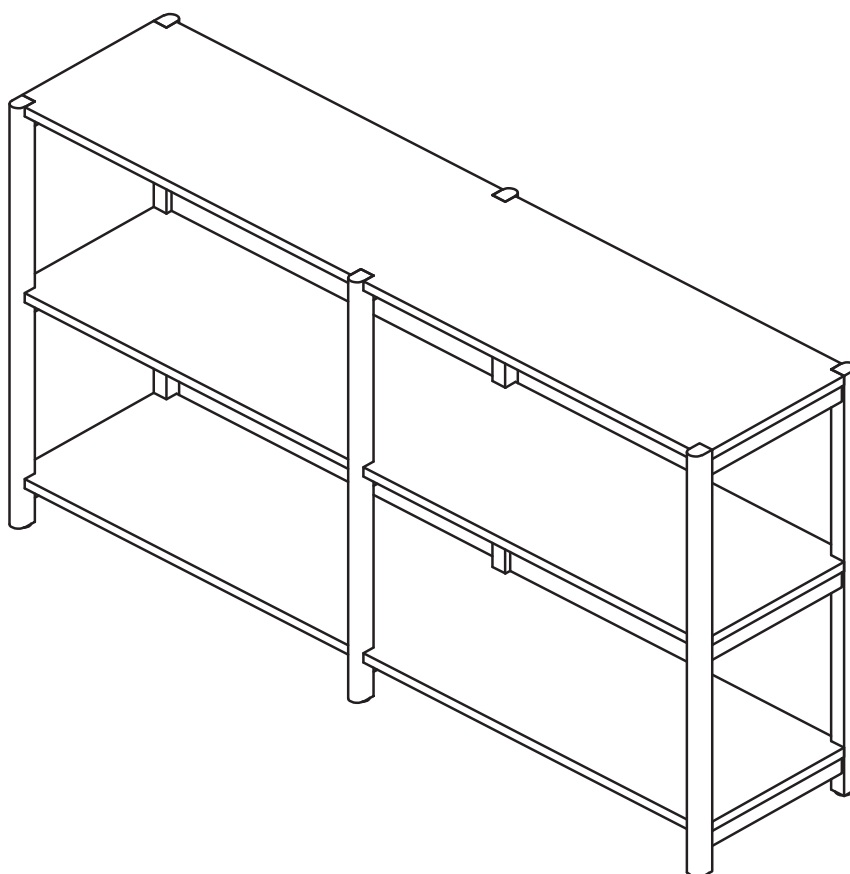


# ARTICLE.

VERSION 1.0

## Assembly Instructions



# MYSEN

Bookcase



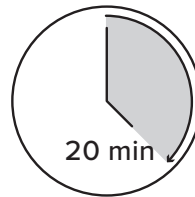
## ANTI-TIP RESTRAINT INSTALLATION

### **WARNING!**

Serious or fatal crushing injuries can occur from furniture tip-over. To help prevent tip-over:

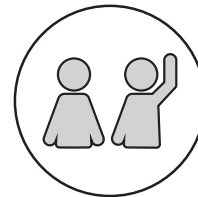
- Install tip-over restraint provided.
- Do not set heavy objects on top of this product, unless the product is specifically designed to accommodate them.
- Never allow children to climb or hang on mirrors, shelves, consoles, or cabinets with doors and/or drawers.

Use of tip-over restraints may only reduce but not eliminate, the risk of tip-over.

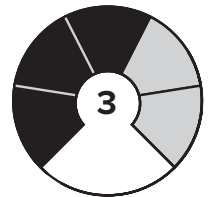


20 min

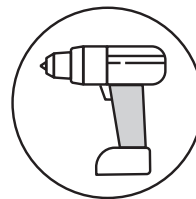
**TIME**



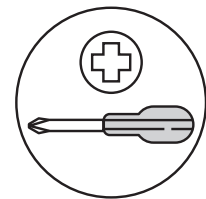
**# OF PEOPLE**



**DIFFICULTY**



**REQUIRED TOOL**

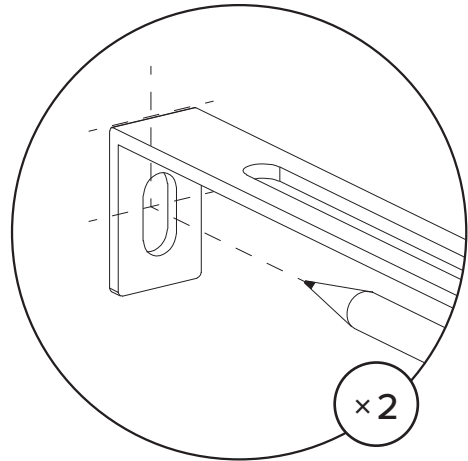
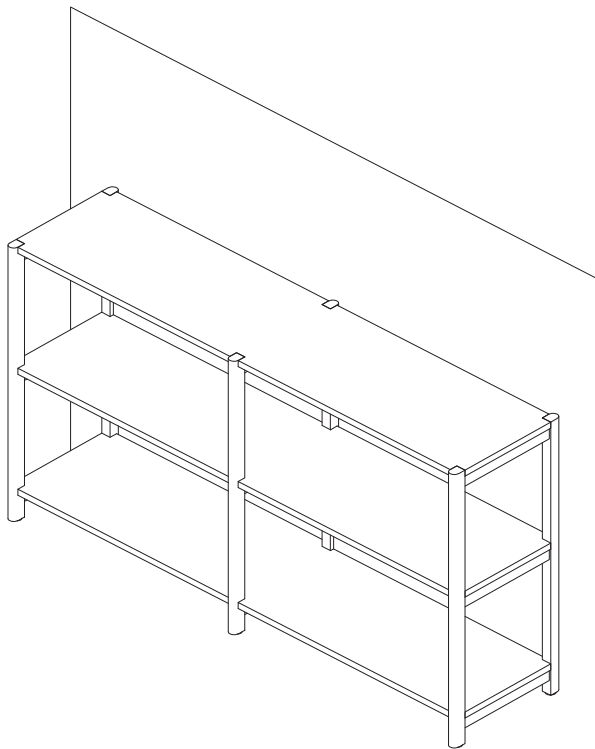


**REQUIRED TOOL**



Hardware to attach brackets to wall is not included. Consult with your local hardware store to find the correct hardware for your type of wall.

1



Place unit in desired location and mark on wall where holes should be drilled.

2

Drill holes into drywall, and attach unit to wall with appropriate hardware.

