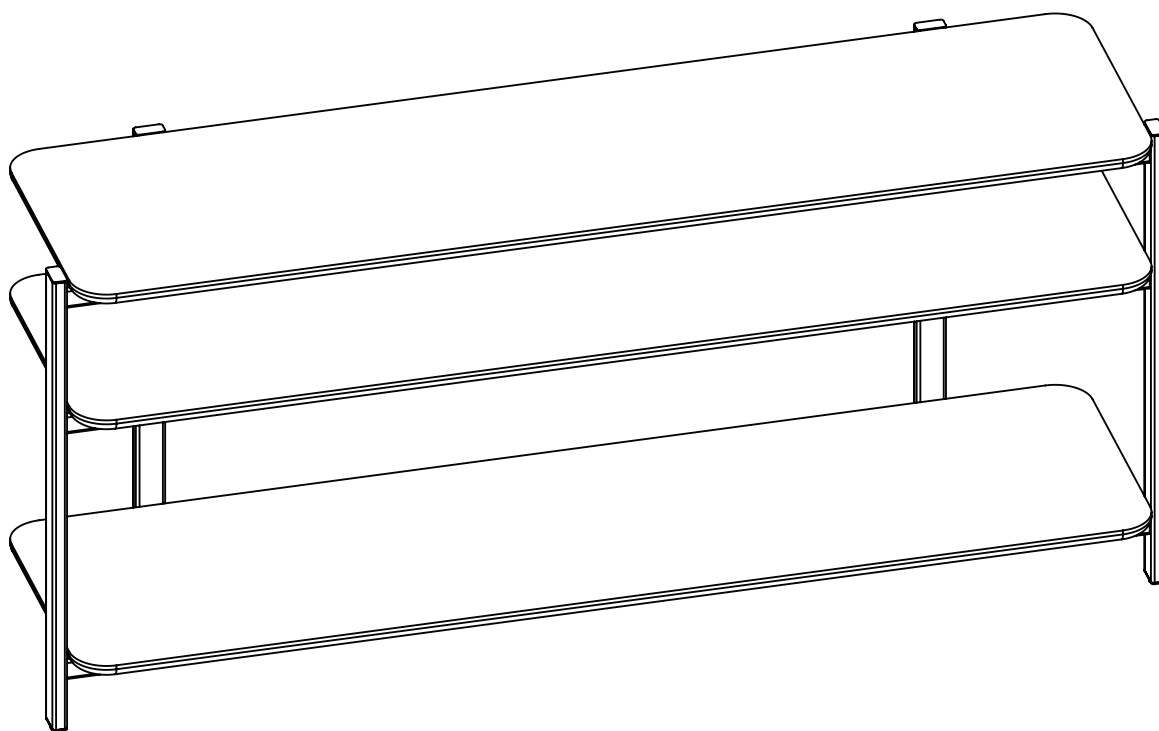


ARTICLE.

VERSION 1.0

Assembly Instructions



SEGATA

Media Unit



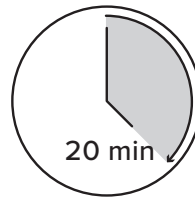
ANTI-TIP RESTRAINT INSTALLATION

WARNING!

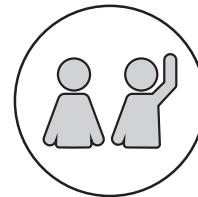
Serious or fatal crushing injuries can occur from furniture tip-over. To help prevent tip-over:

- Install tip-over restraint provided.
- Do not set heavy objects on top of this product, unless the product is specifically designed to accommodate them.
- Never allow children to climb or hang on mirrors, shelves, consoles, or cabinets with doors and/or drawers.

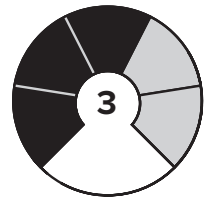
Use of tip-over restraints may only reduce but not eliminate, the risk of tip-over.



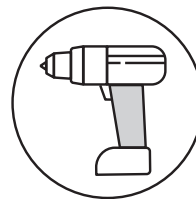
TIME



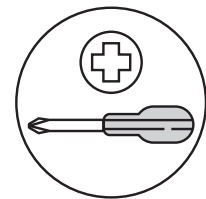
OF PEOPLE



DIFFICULTY



REQUIRED TOOL



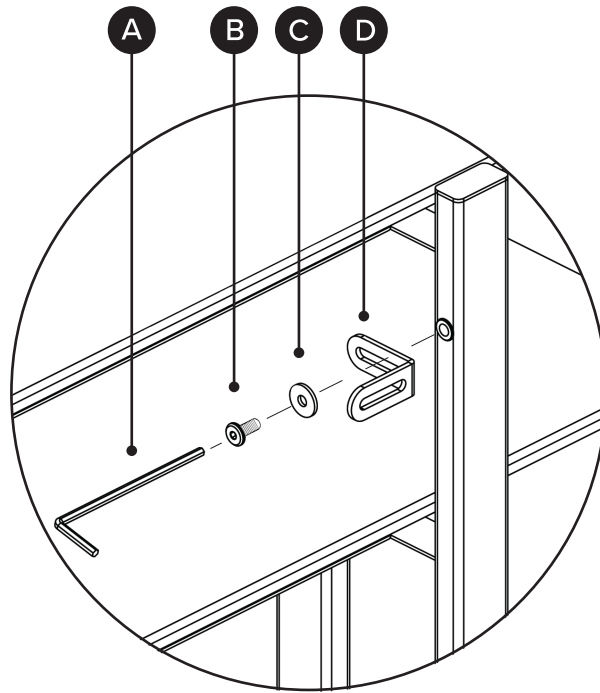
REQUIRED TOOL

PARTS INVENTORY			
ID	DESCRIPTION		QTY
A	ALLEN KEY		1
B	M6 × 15MM		2
C	D19 × 2MM		4
D	BRACKET		2
E	PLUG		2
F	SCREW		2

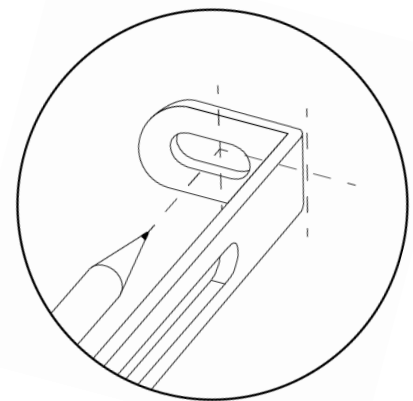
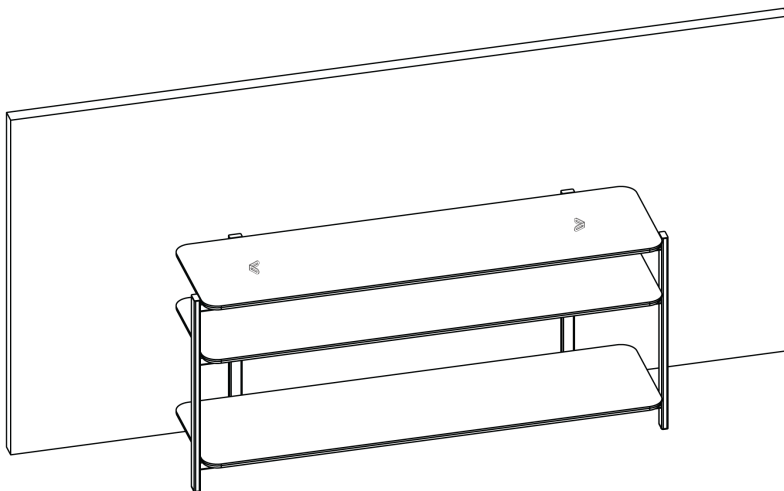


Hardware (E/F) to attach brackets to wall is designed for drywall. To attach this unit to another type of wall, consult with your local hardware store.

1



2



Place unit in desired location and mark on wall where holes should be drilled.

3

Drill holes into drywall, insert wall plug (E), and attach unit to wall.

