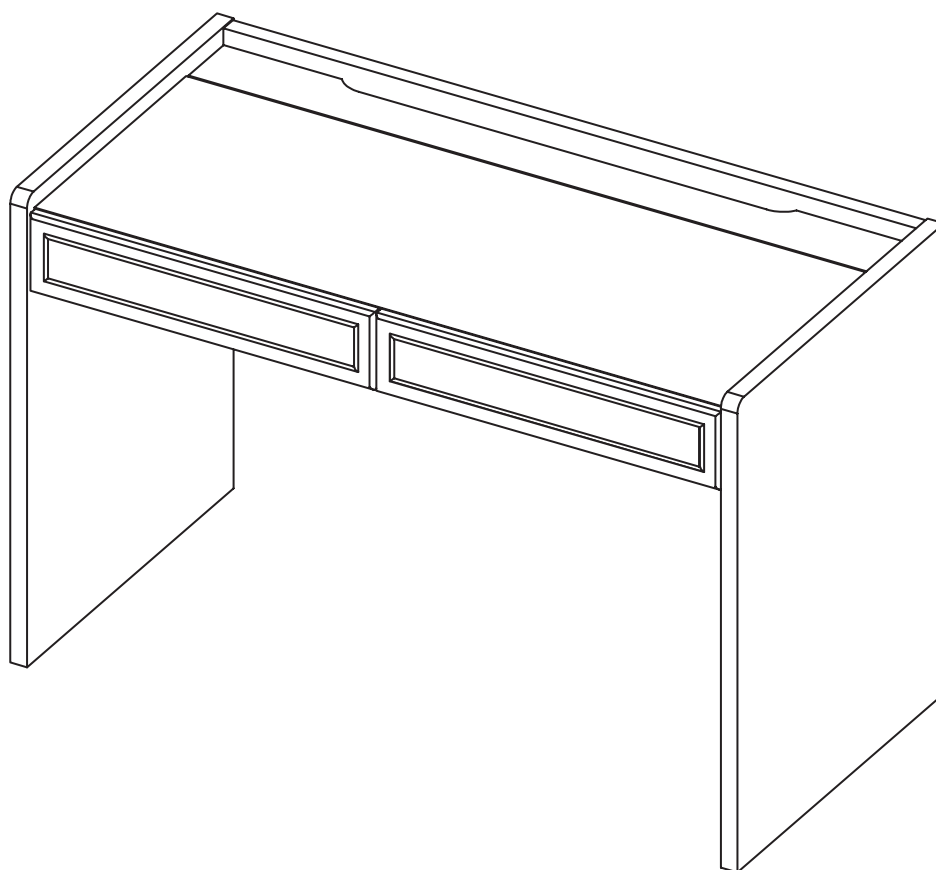


ARTICLE.

VERSION 1.0

Assembly Instructions



DECA

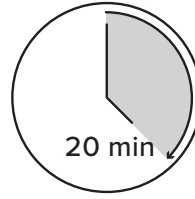
Desk

ASSEMBLY INSTRUCTIONS

Read these instructions carefully and keep for future reference. Refer to parts inventory for guidance, and ensure you have all pieces before starting.

When assembling, place all parts on a soft, clean, and flat surface such as a carpet to prevent scratches.

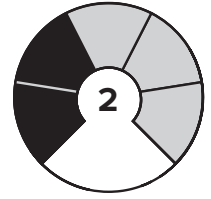
If you're having difficulty, our friendly Customer Care team is always here to help. Call us at **1.888.746.3455** during business hours, email service@article.com or chat live at [article.com](https://www.article.com).





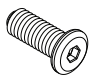


TIME



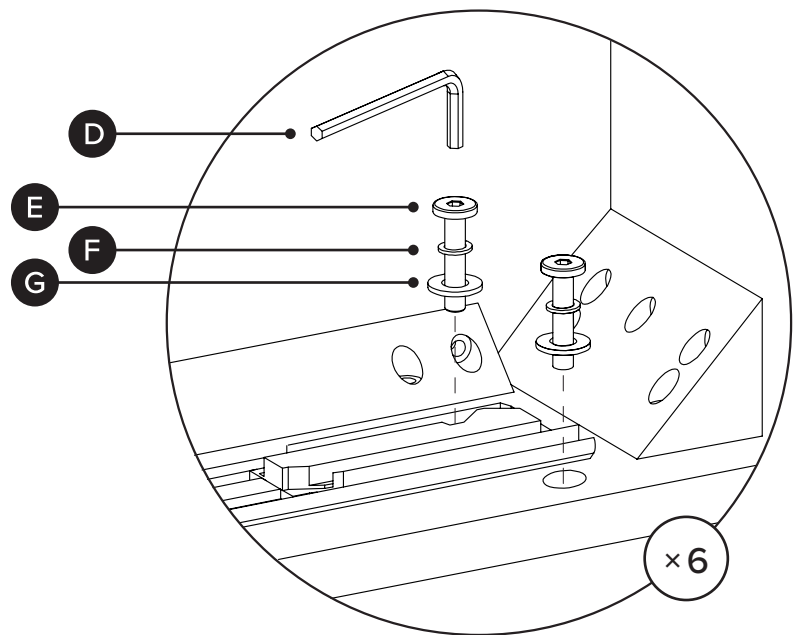
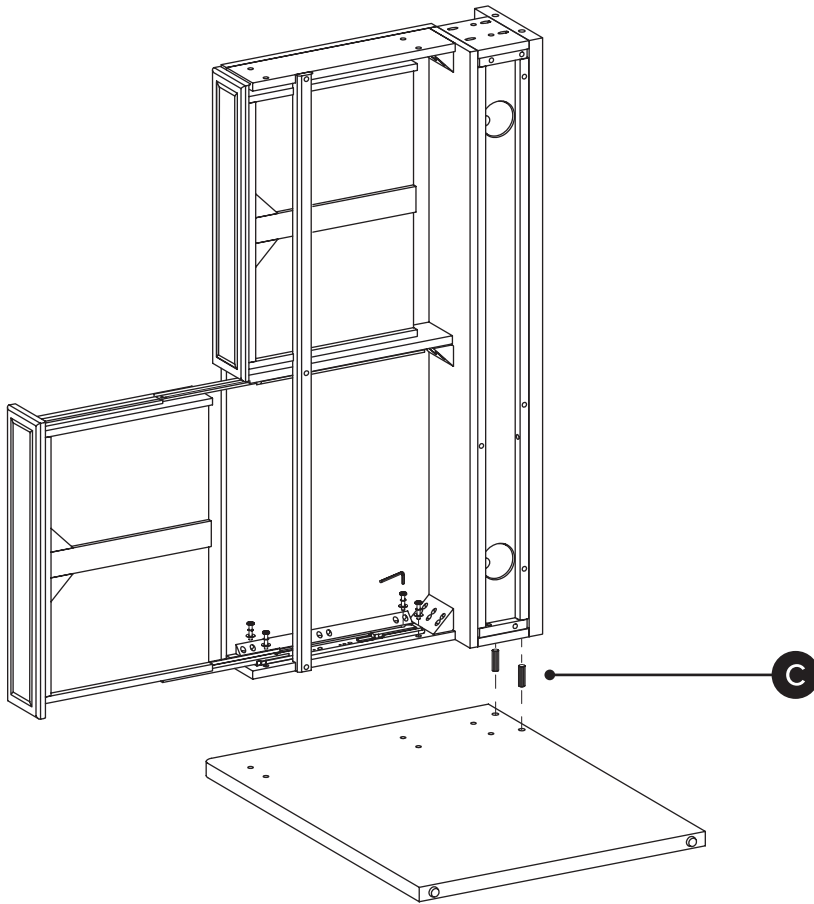
OF PEOPLE



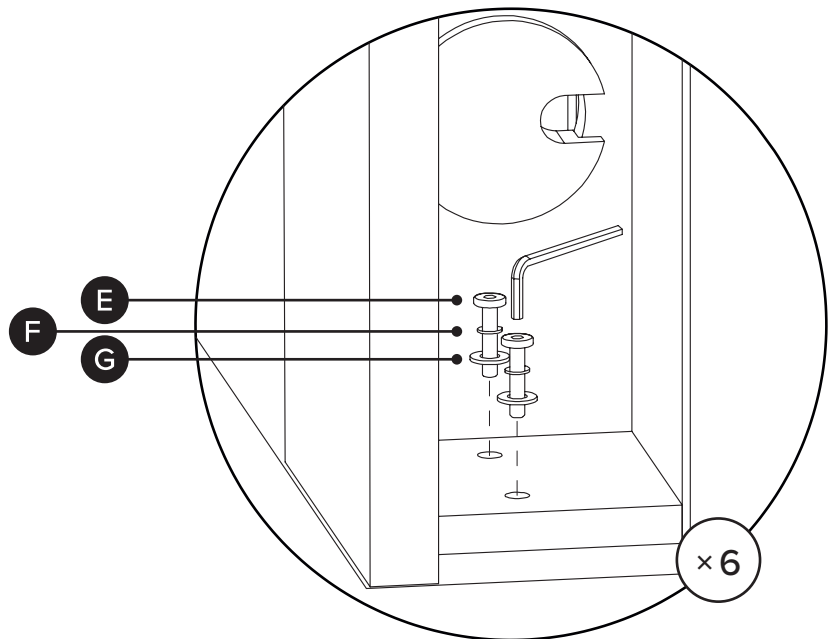
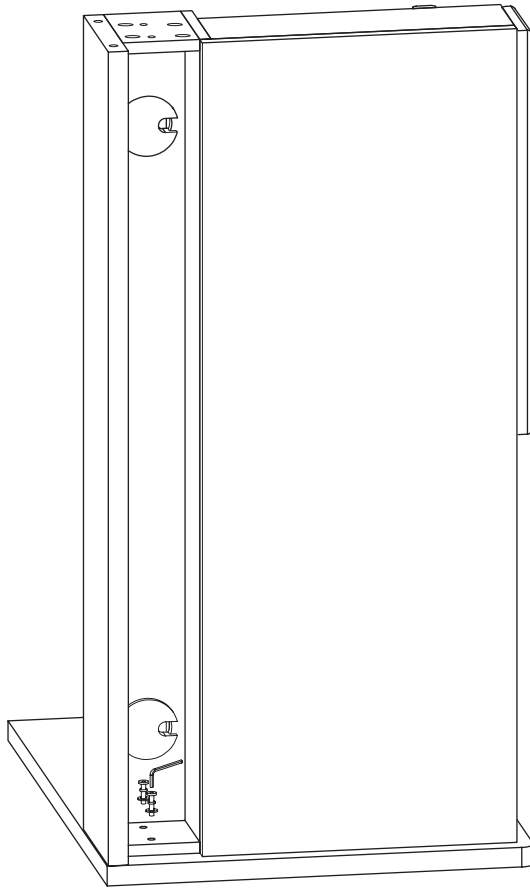
DIFFICULTY

PARTS INVENTORY		
ID	DESCRIPTION	QTY
A	TABLE TOP WITH DRAWERS	1
B	LEG FRAME	2
C	DOWEL 	4
D	ALLEN KEY 	1
E	M6 × 30MM BOLT 	12
F	LOCK WASHER 	12
G	FLAT WASHER 	12

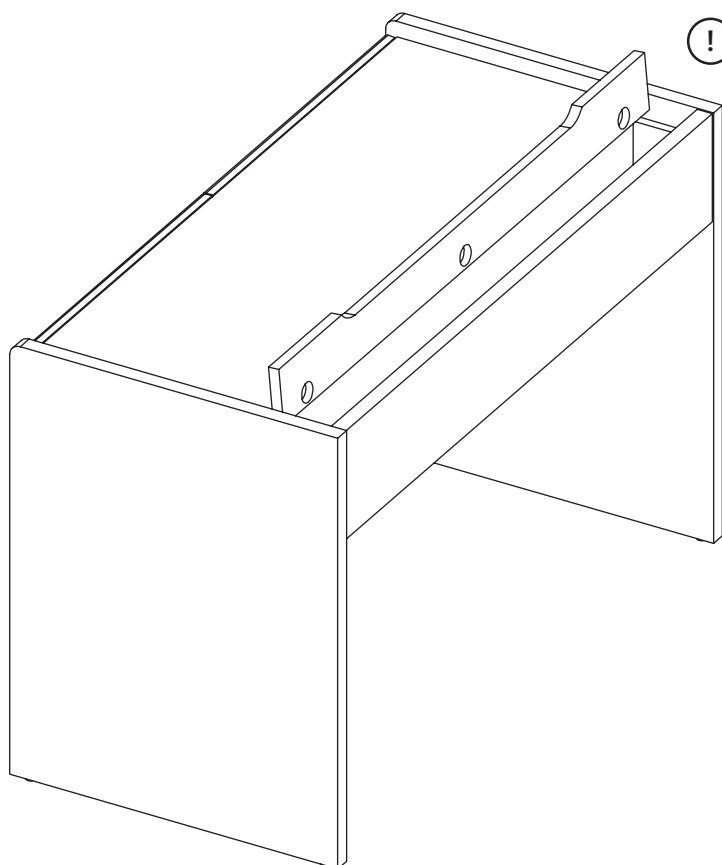
1



2



3



! Insert cables through the storage section at the back part of the desk.