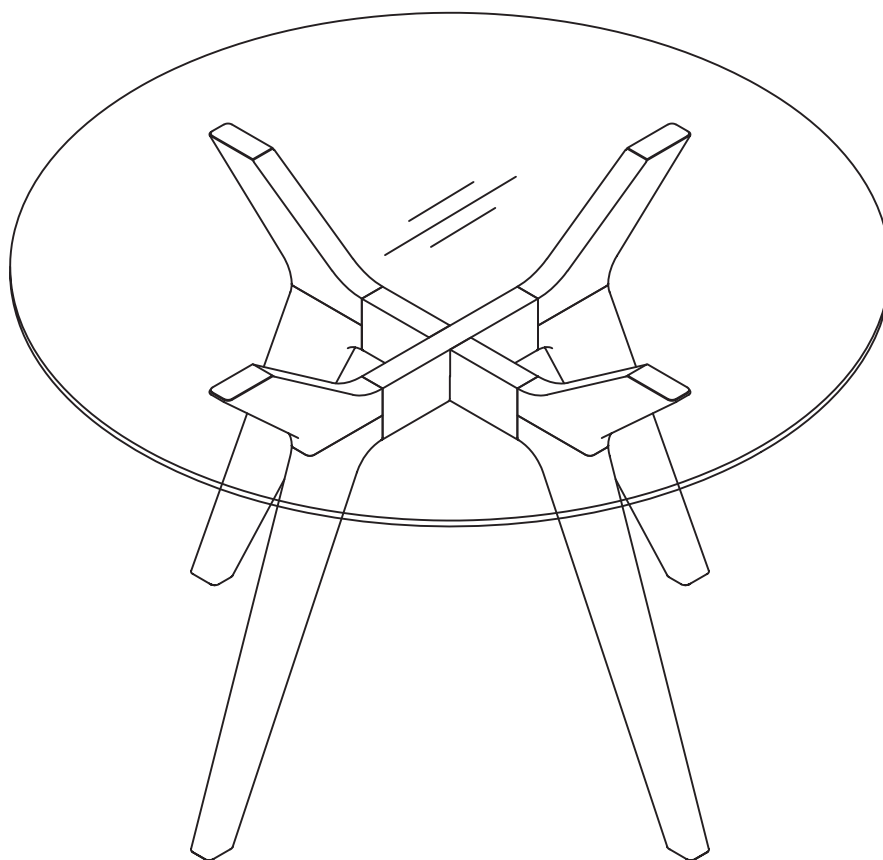


ARTICLE.

VERSION 1.0

Assembly Instructions



TAFULO

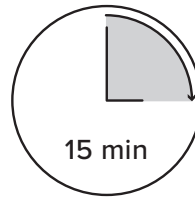
Round Dining Table

ASSEMBLY INSTRUCTIONS

Read these instructions carefully and keep for future reference. Refer to parts inventory for guidance, and ensure you have all pieces before starting.

When assembling, place all parts on a soft, clean, and flat surface such as a carpet to prevent scratches.

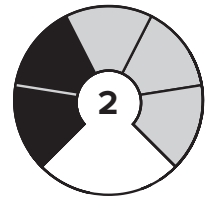
If you're having difficulty, our friendly Customer Care team is always here to help. Call us at **1.888.746.3455** during business hours, email service@article.com or chat live at [article.com](https://www.article.com).




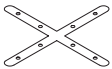

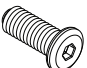
TIME



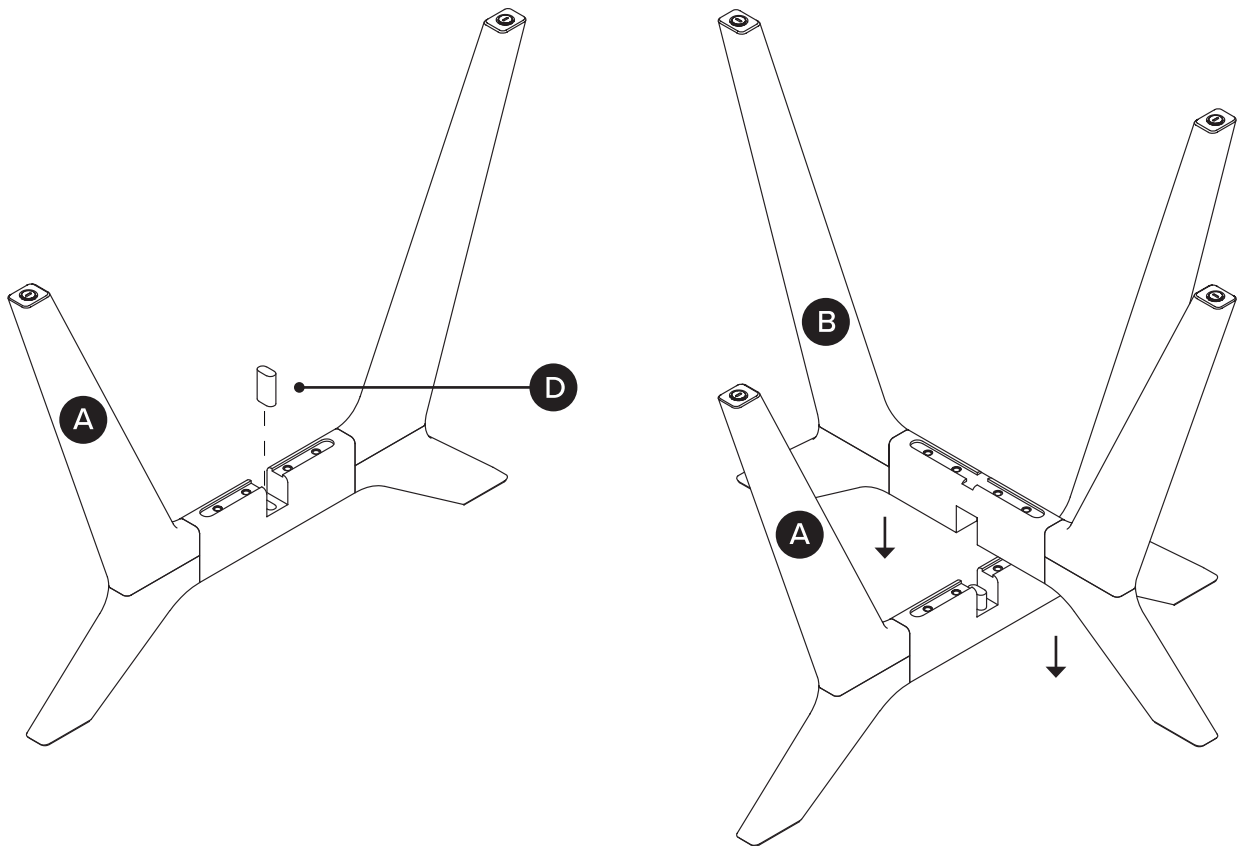
OF PEOPLE



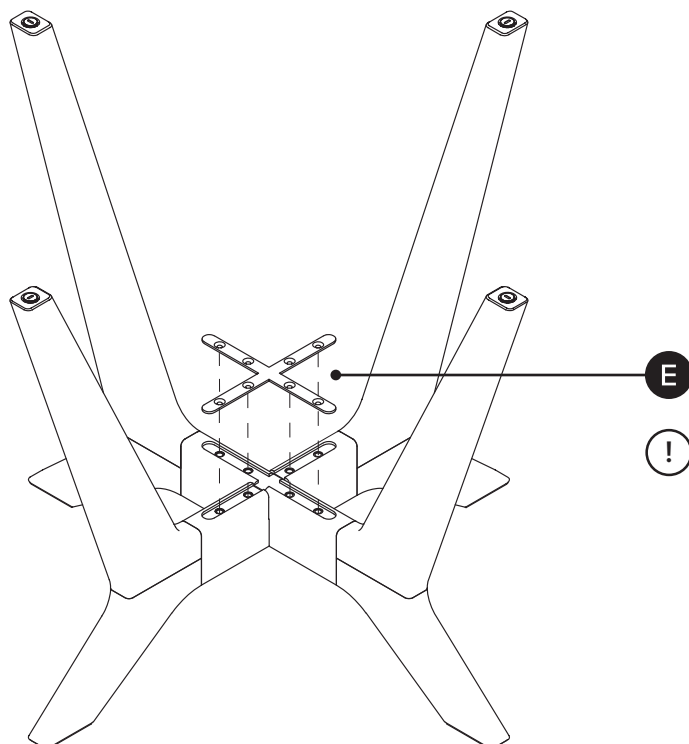
DIFFICULTY

PARTS INVENTORY		
ID	DESCRIPTION	QTY
A	LEG FRAME (NOTCH UP)	1
B	LEG FRAME (NOTCH DOWN)	1
C	GLASS TABLE TOP	1
D	DOWEL 	1
E	CROSS PLATE 	1
F	ALLEN KEY 	1
G	M6 x 25MM BOLT 	8

1

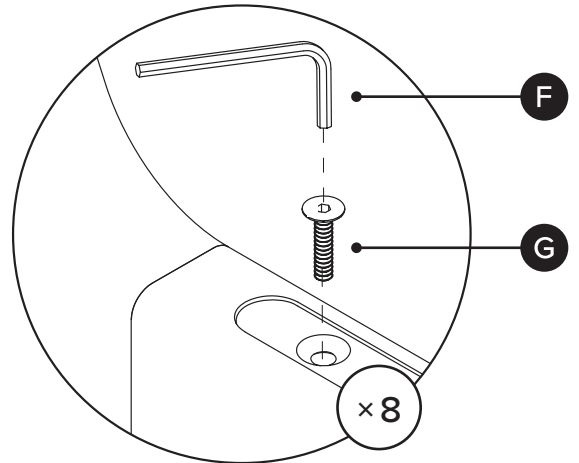
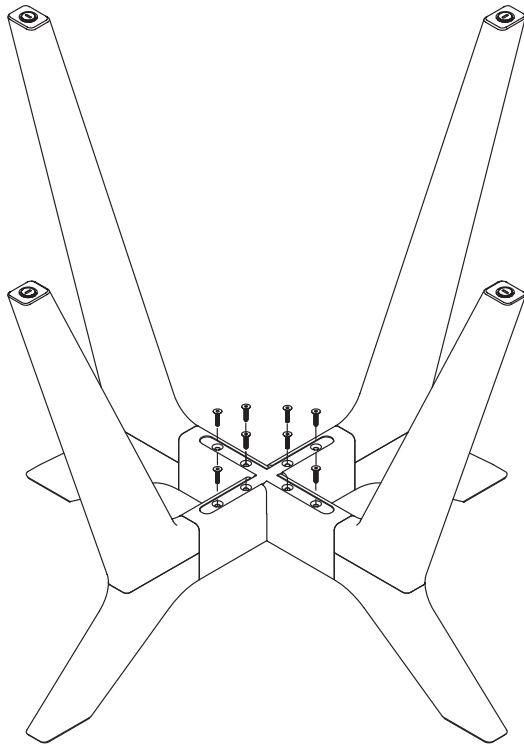


2A

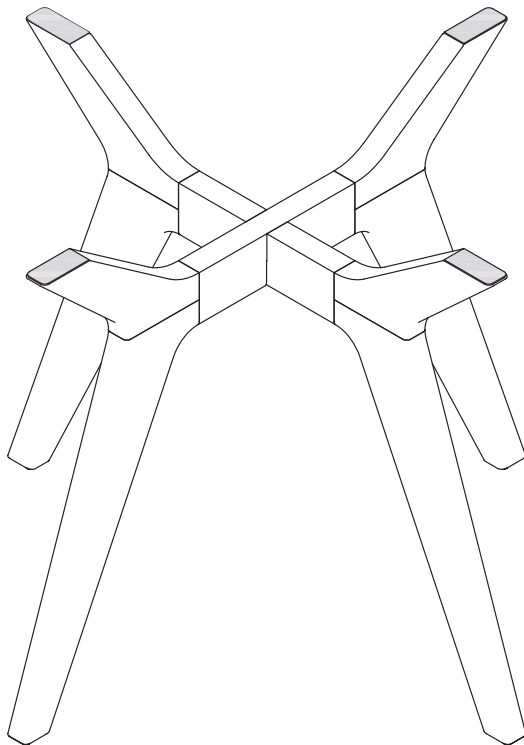


! Make sure the cross plate aligns with the holes of their insert before tightening the bolts into it.

2B



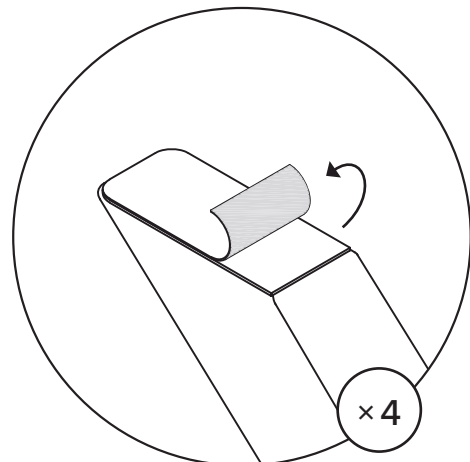
3A



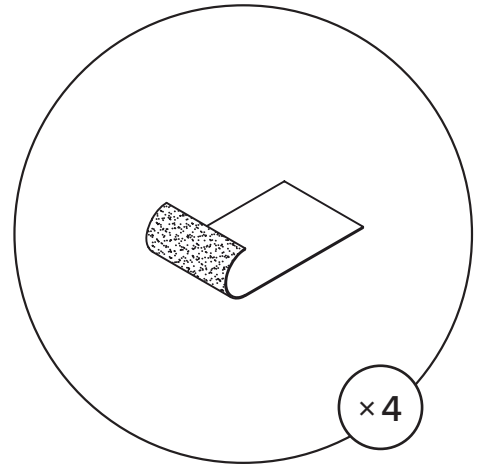
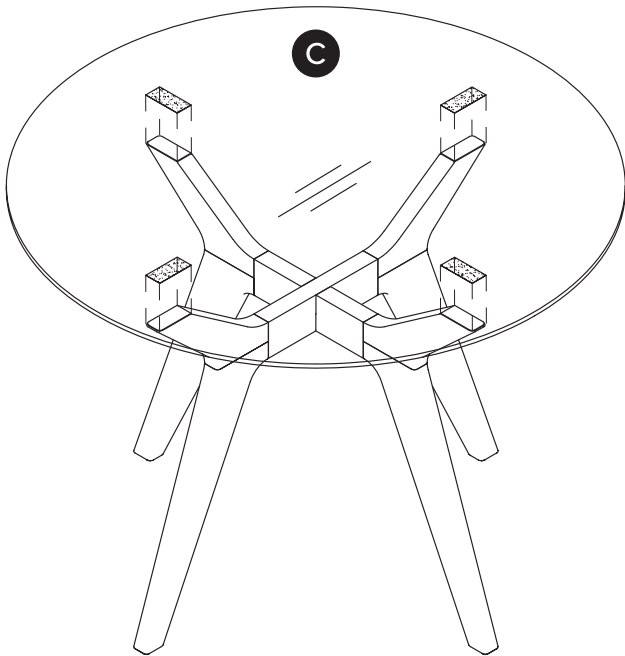
! Fully tighten all bolts after turning upright.



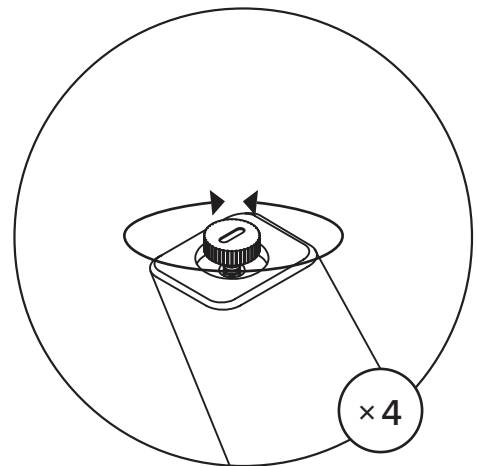
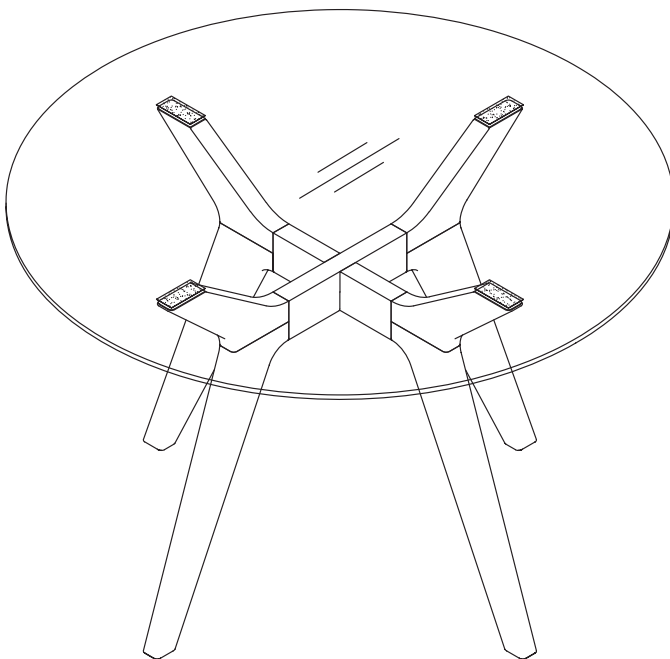
! Make sure to peel off the adhesive sticker on top of each leg.



3B



! Peel off the sticker from the table top and align with each adhesive top part of each leg.



! Adjust levelers on legs as needed.