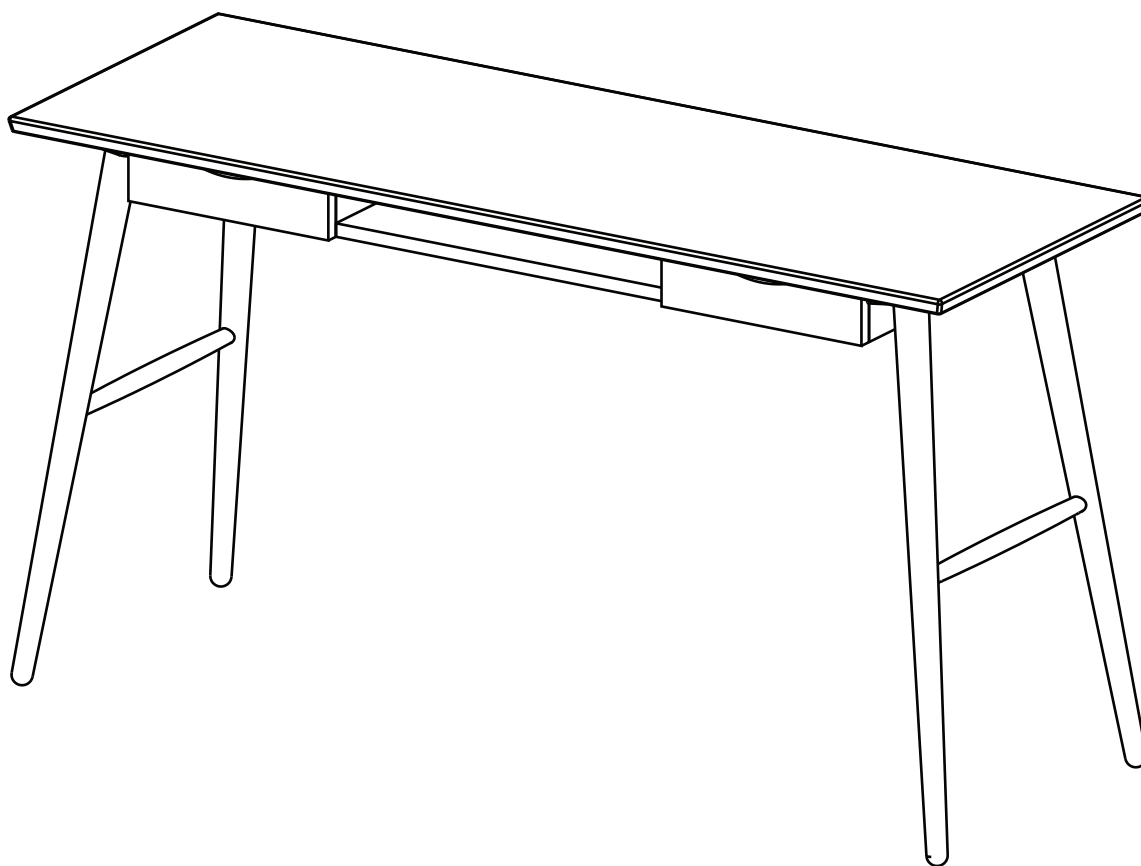


ARTICLE.

VERSION 1.2

Assembly Instructions



CULLA

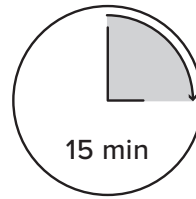
Desk

ASSEMBLY INSTRUCTIONS

Read these instructions carefully and keep for future reference. Refer to parts inventory for guidance, and ensure you have all pieces before starting.

When assembling, place all parts on a soft, clean, and flat surface such as a carpet to prevent scratches.

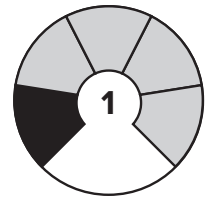
If you're having difficulty, our friendly Customer Care team is always here to help. Call us at **1.888.746.3455** during business hours, email service@article.com or chat live at article.com.



TIME



OF PEOPLE

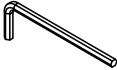
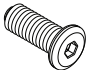


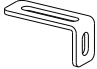
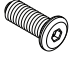
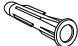

DIFFICULTY



ANTI-TIP

Installation Required

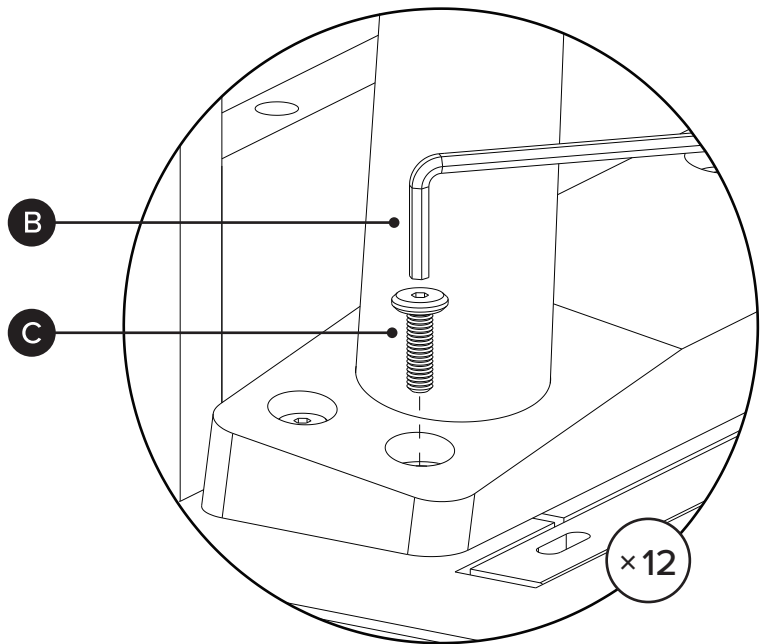
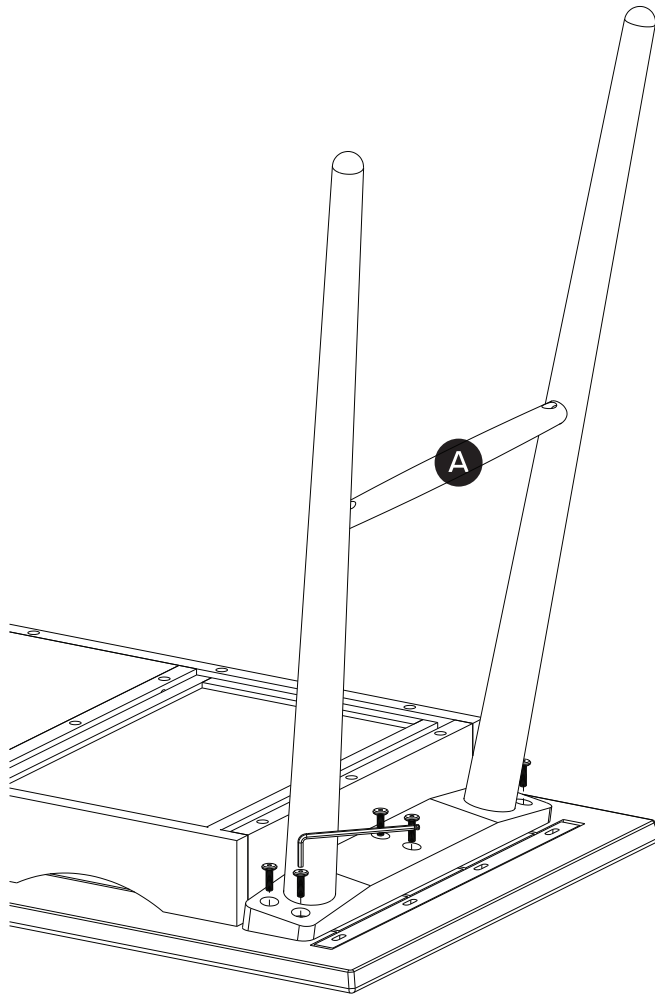
PARTS INVENTORY		
ID	DESCRIPTION	QTY
A	LEG FRAME	2
B	ALLEN KEY 	1
C	M8 × 25MM BOLT 	12

ANTI-TIP KIT INVENTORY		
ID	DESCRIPTION	QTY
D	BRACKET 	1
E	M6 × 15MM BOLT 	1
F	M8 × 51MM PLUG 	1
G	M6 × 70MM SCREW 	1
H	WASHER	2



Hardware (F/G) to attach brackets to wall is designed for drywall. To attach this unit to another type of wall, consult with your local hardware store.

1





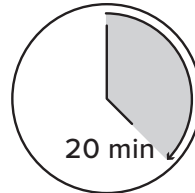
ANTI-TIP RESTRAINT INSTALLATION

WARNING!

Serious or fatal crushing injuries can occur from furniture tip-over. To help prevent tip-over:

- Install tip-over restraint provided.
- Do not set heavy objects on top of this product, unless the product is specifically designed to accommodate them.
- Never allow children to climb or hang on mirrors, shelves, consoles, or cabinets with doors and/or drawers.

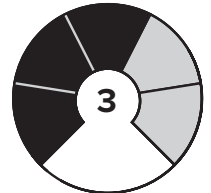
Use of tip-over restraints may only reduce but not eliminate, the risk of tip-over.



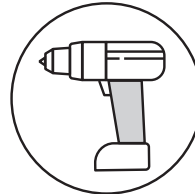
TIME



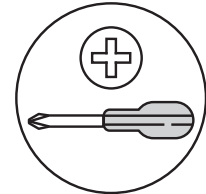
OF PEOPLE



DIFFICULTY

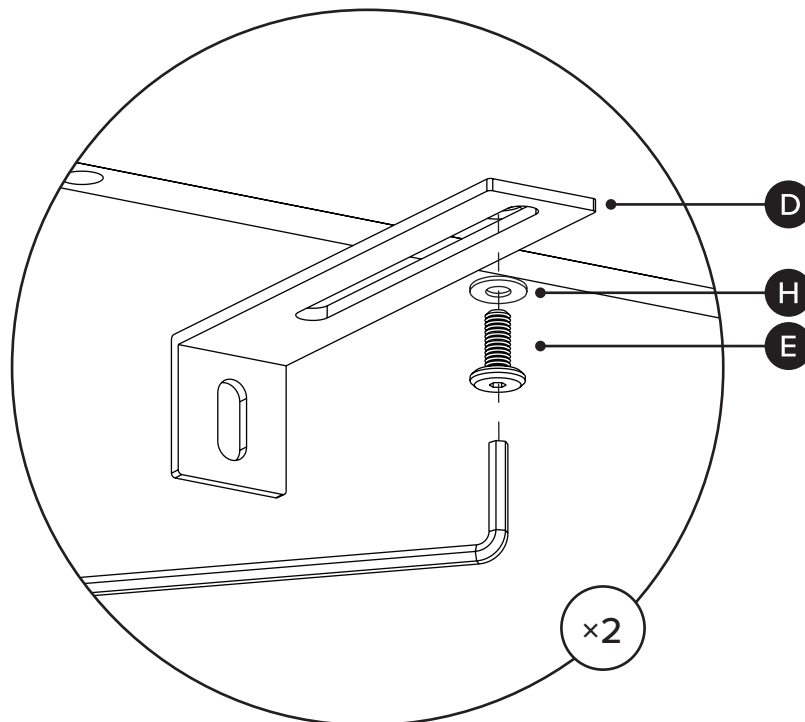


REQUIRED TOOL
8MM / 5/16" DRILL BIT

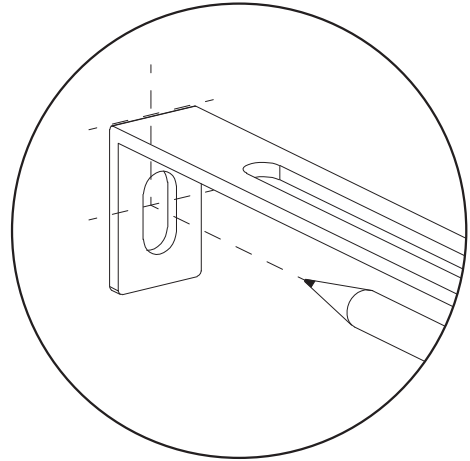
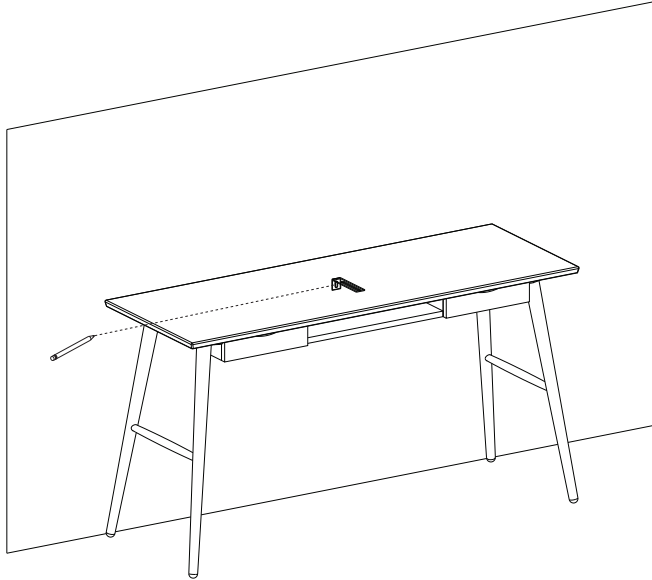


REQUIRED TOOL

1



2



Place unit in desired location and mark on wall where hole should be drilled.

3

Drill hole into drywall, insert wall plug (F), and attach unit to wall.

