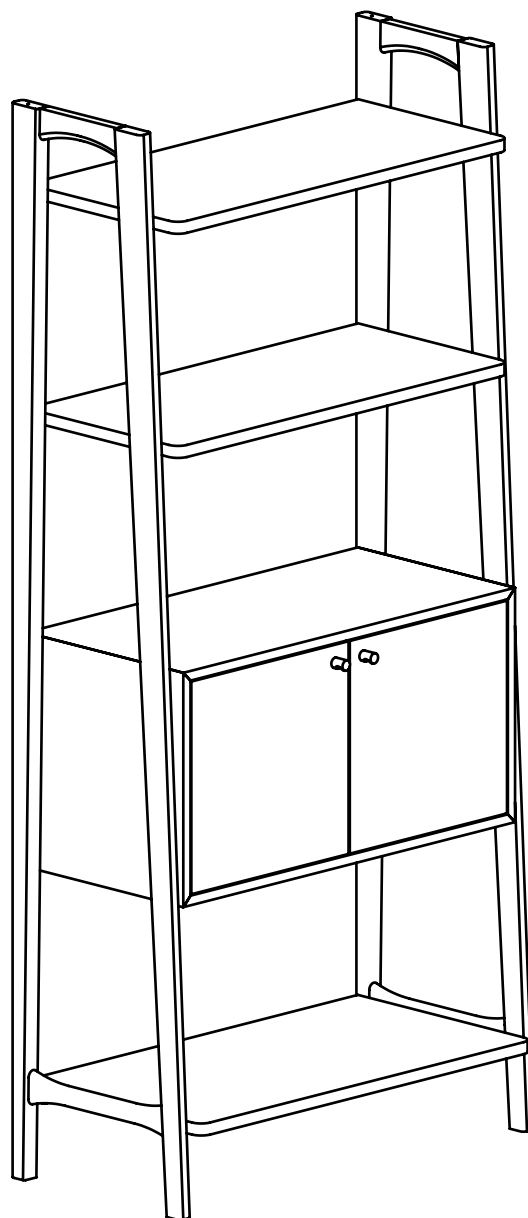


# ARTICLE.

VERSION 1.0

## Assembly Instructions



# KROSSA

70" Shelf



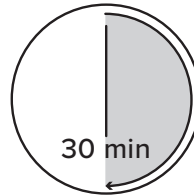
## ANTI-TIP RESTRAINT INSTALLATION

### WARNING!

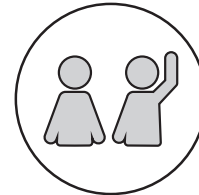
Serious or fatal crushing injuries can occur from furniture tip-over. To help prevent tip-over:

- Install tip-over restraint provided.
- Do not set heavy objects on top of this product, unless the product is specifically designed to accommodate them.
- Never allow children to climb or hang on mirrors, shelves, consoles, or cabinets with doors and/or drawers.

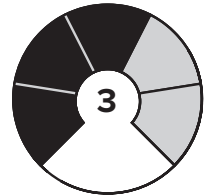
Use of tip-over restraints may only reduce but not eliminate, the risk of tip-over.



TIME



# OF PEOPLE

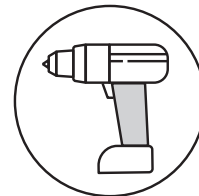


DIFFICULTY



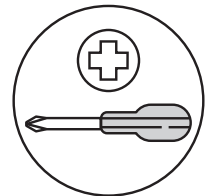
ANTI-TIP

Installation Required



REQUIRED TOOL

8MM / 5/16" DRILL BIT

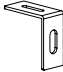
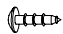

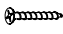


REQUIRED TOOL



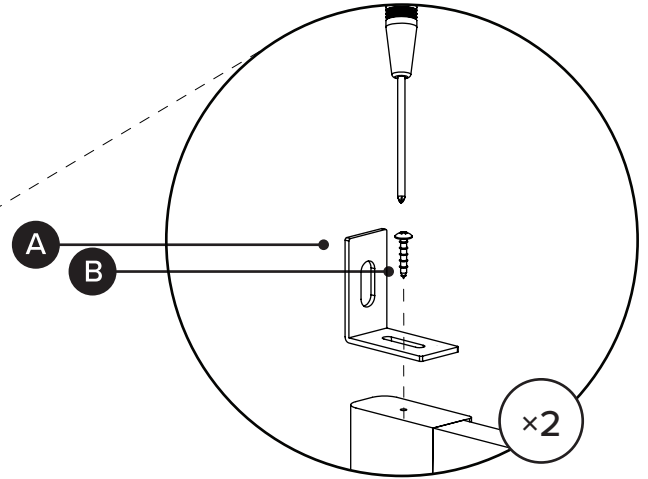
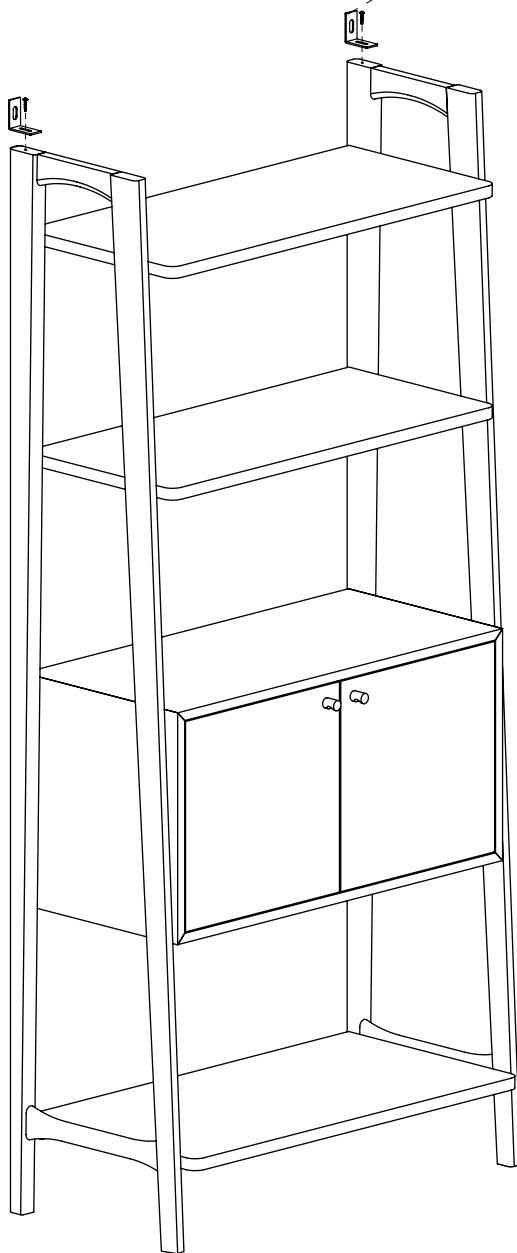
Hardware (C/D) to attach brackets to wall is designed for drywall. To attach this unit to another type of wall, consult with your local hardware store.

### ANTI-TIP KIT INVENTORY

ID	DESCRIPTION	QTY
<b>A</b>	BRACKET 	2
<b>B</b>	M4 × 20MM SCREW 	2
<b>C</b>	M8 × 51MM PLUG 	2
<b>D</b>	M6 × 70MM SCREW 	2

1

! First attach the brackets into the unit as shown in illustration below. Install bracket to the pre-drilled holes on top.



Place unit in desired location and mark on wall where hole should be drilled.

2

! Drill hole into drywall, insert plug (C), and attach unit to wall.

