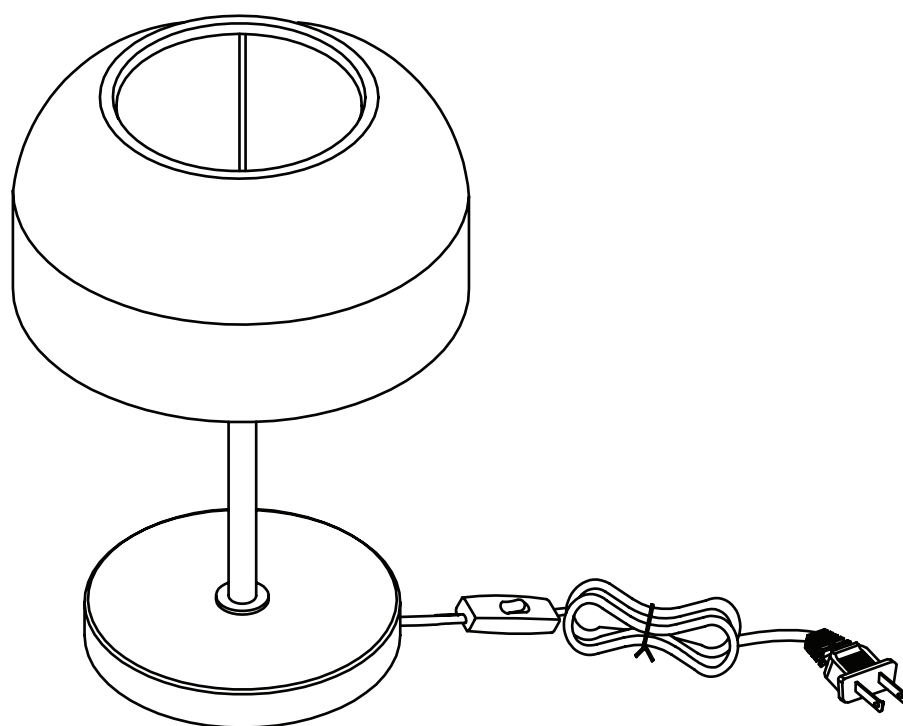


ARTICLE.

VERSION 1.0

Assembly Instructions



OSLO

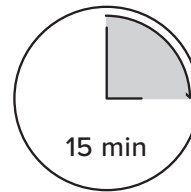
Table Lamp

ASSEMBLY INSTRUCTIONS

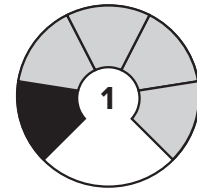
Read these instructions carefully and keep for future reference. Refer to parts inventory for guidance, and ensure you have all pieces before starting.

When assembling, place all parts on a soft, clean, and flat surface such as a carpet to prevent scratches.

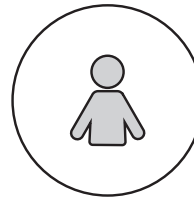
If you're having difficulty, our friendly Customer Care team is always here to help. Call us at **1.888.746.3455** during business hours, email service@article.com or chat live at [article.com](https://www.article.com).



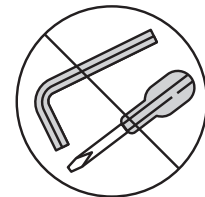
TIME



DIFFICULTY



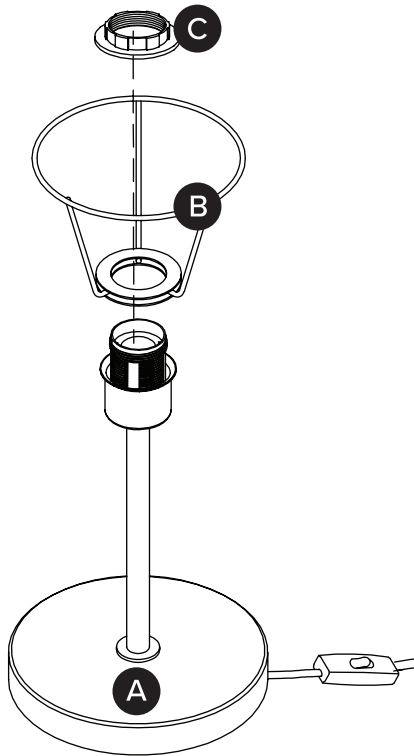
OF PEOPLE



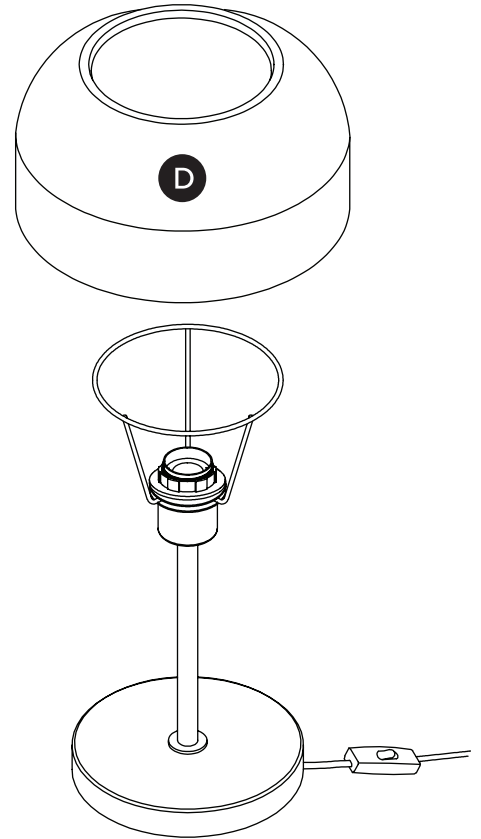
TOOL FREE

PARTS INVENTORY		
ID	DESCRIPTION	QTY
A	BASE	1
B	METAL FRAME	1
C	LAMPHOLDER RING	1
D	METAL SHADE	1
E	BULB (E26 G50 2W LED)	1

1



2



3

