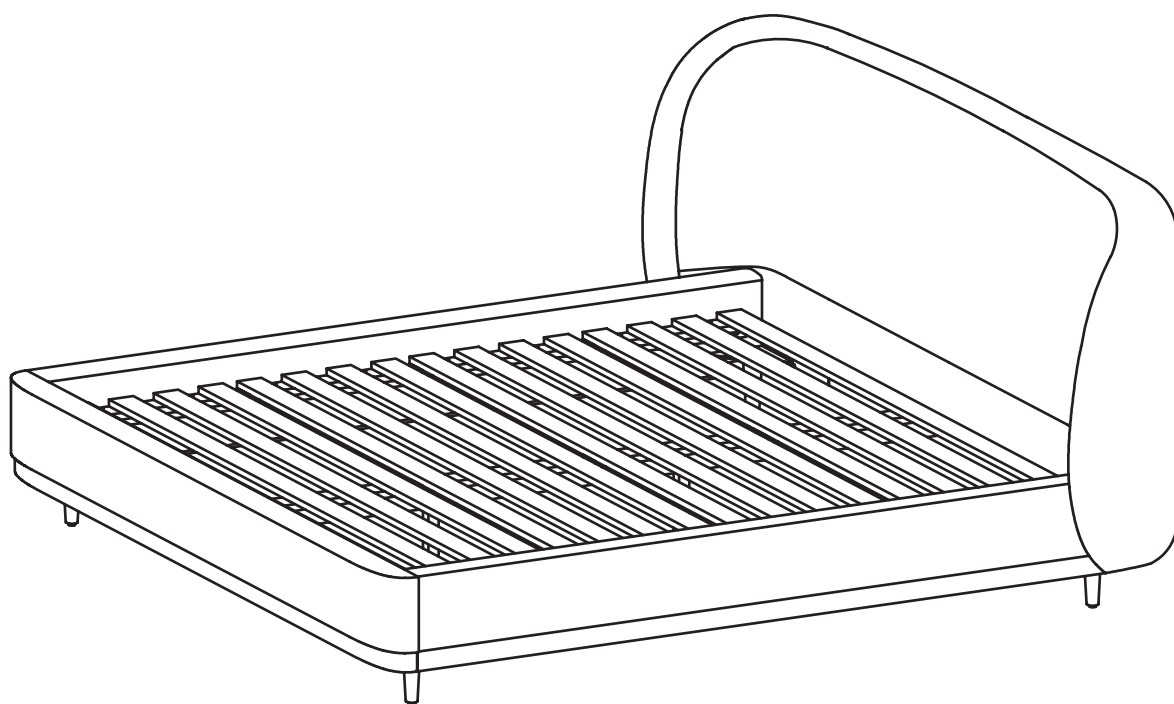


ARTICLE.

VERSION 1.0

Assembly Instructions



KAYRA

Bed

ASSEMBLY INSTRUCTIONS

Read these instructions carefully and keep for future reference. Refer to parts inventory for guidance, and ensure you have all pieces before starting.

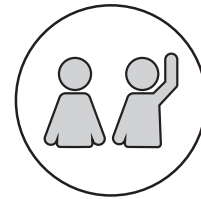
When assembling, place all parts on a soft, clean, and flat surface such as a carpet to prevent scratches.

If you're having difficulty, our friendly Customer Care team is always here to help. Call us at **1.888.746.3455** during business hours, email service@article.com or chat live at [article.com](https://www.article.com).

! Structural integrity is only guaranteed if all bolts are installed and properly tightened.



TIME



OF PEOPLE



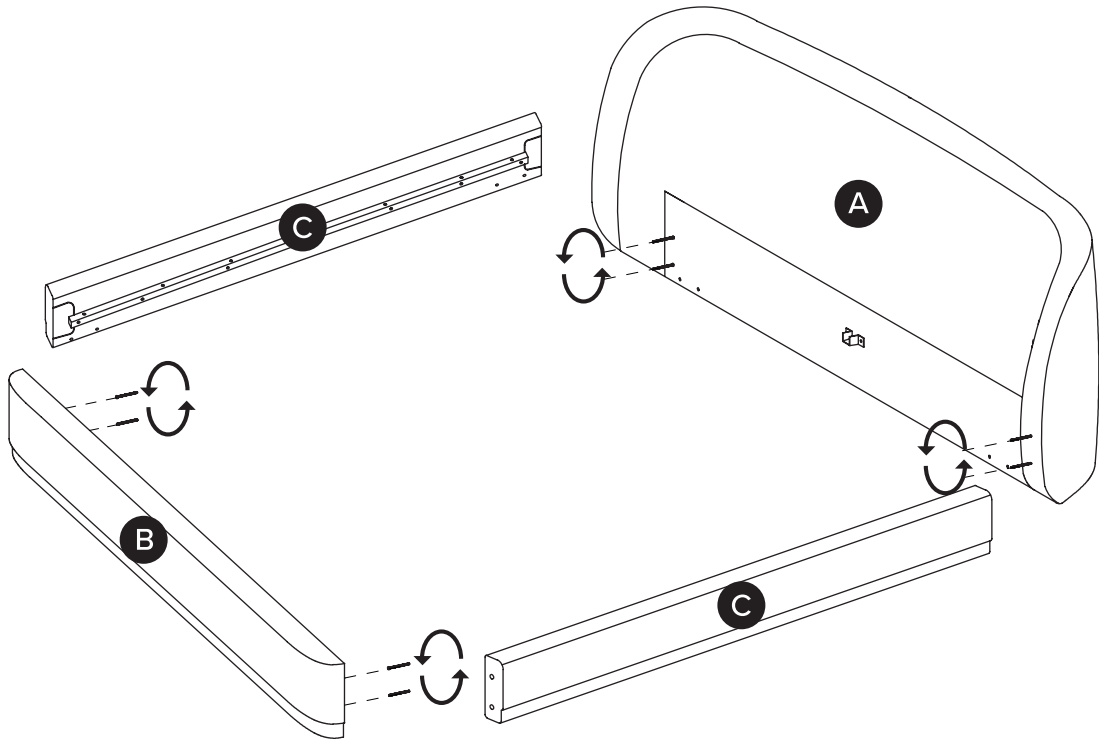
DIFFICULTY



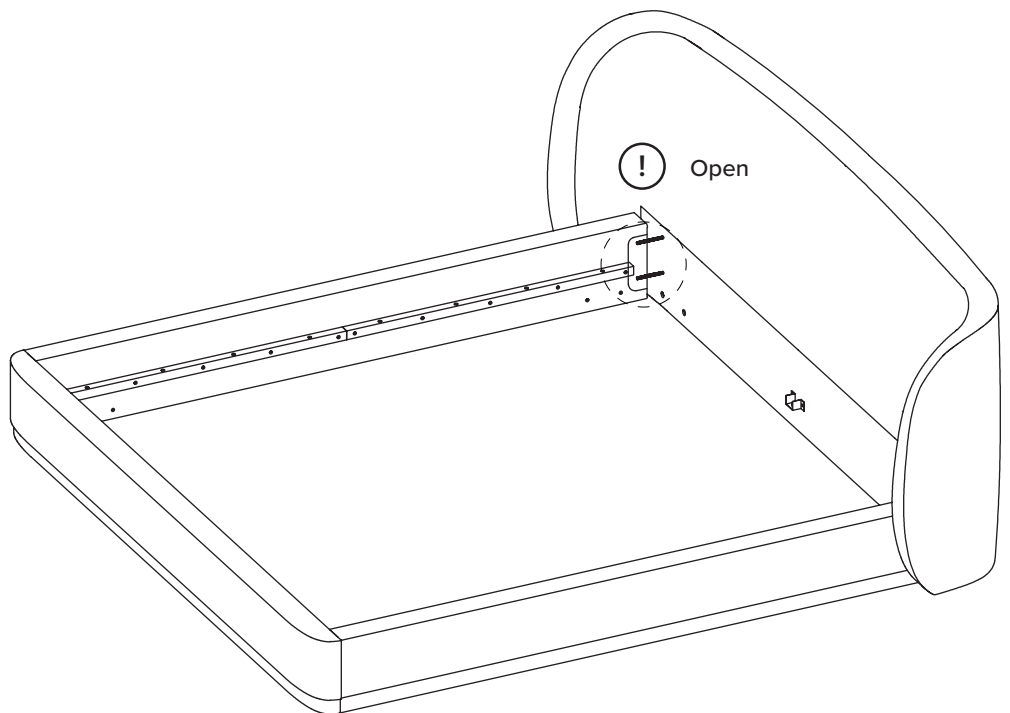
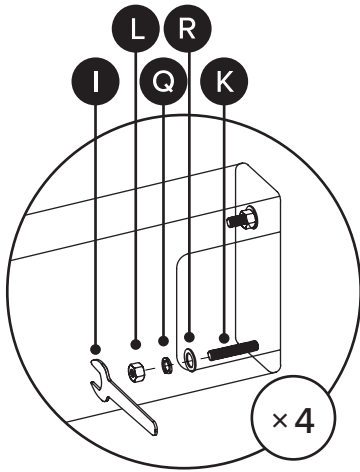
PARTS INVENTORY			
ID	DESCRIPTION		QTY
A	HEADBOARD		1
B	FOOTBOARD		1
C	SIDE RAIL		2
D	SUPPORT LEG		4
E	LEG		4
F	SUPPORT RAIL		1
G	CENTER LEG		2
H	SLATS		4
I	RANCH		1
J	ALLEN KEY		1

PARTS INVENTORY CONT.			
ID	DESCRIPTION		QTY
K	M8 × 80MM BOLT		8
L	M8 × D13MM NUT		8
M	M8 × 30MM BOLT		16
N	M6 × 20MM BOLT		2
O	M6 × 60MM BOLT		4
P	M6 × 40MM BOLT		16
Q	8.5 LOCK WASHER		24
R	8.5 WASHER		24
S	6.5 LOCK WASHER		18
T	6.5 WASHER		18

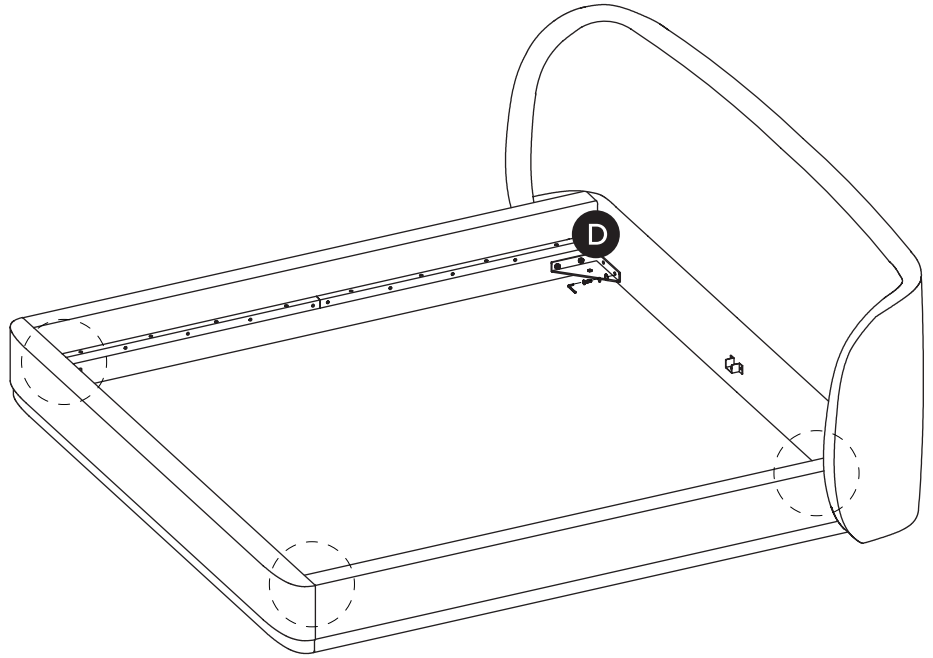
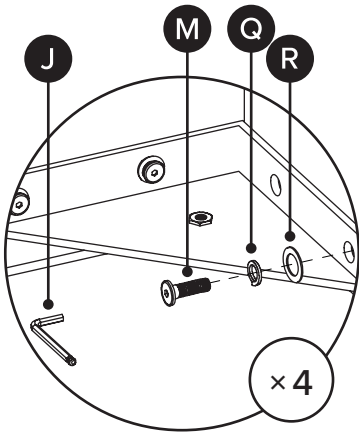
1



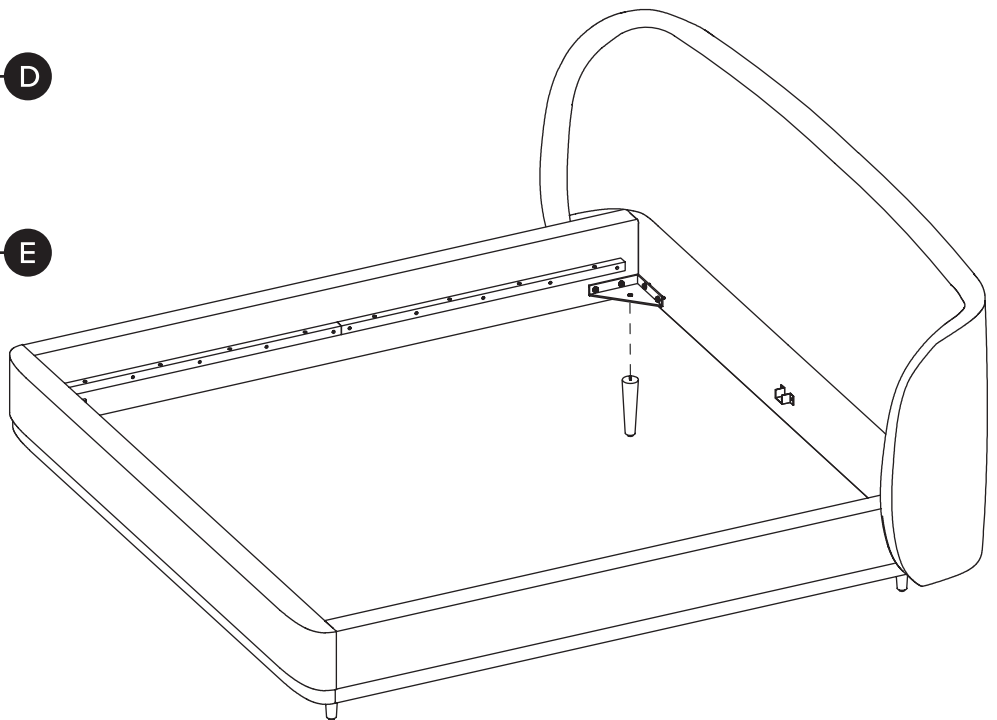
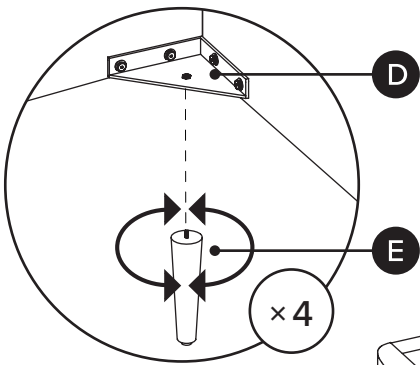
2



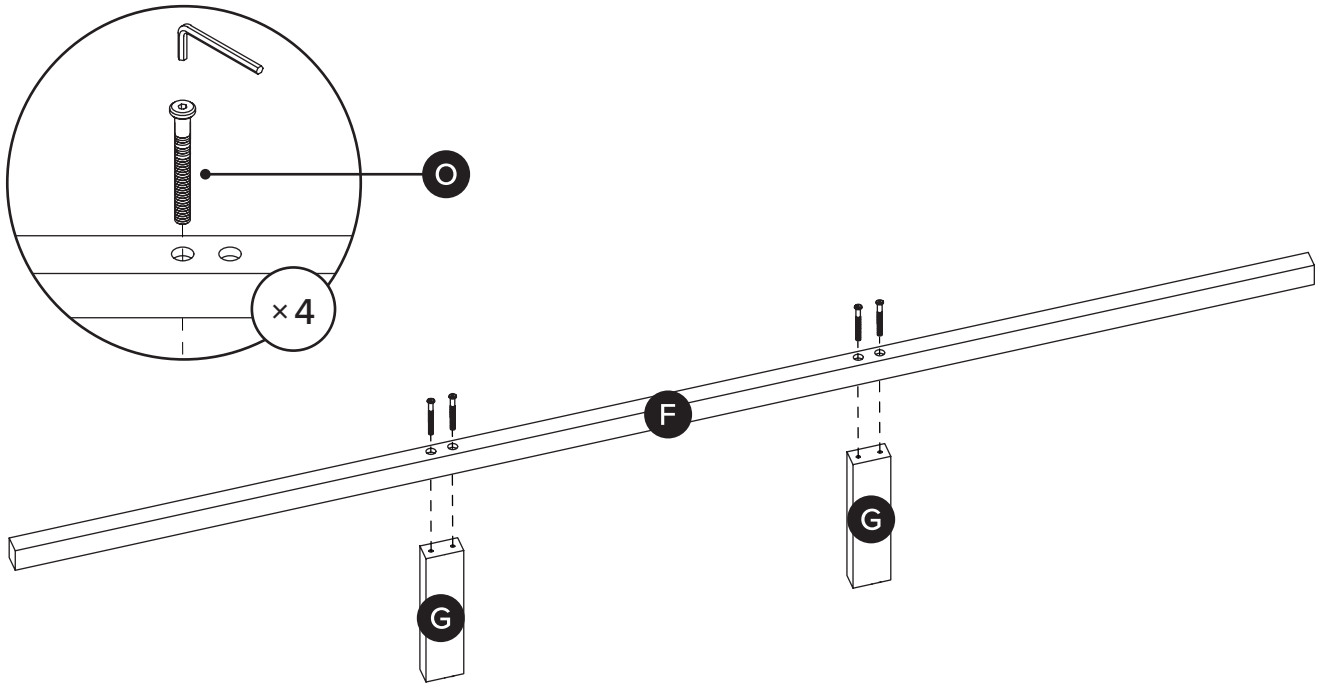
3



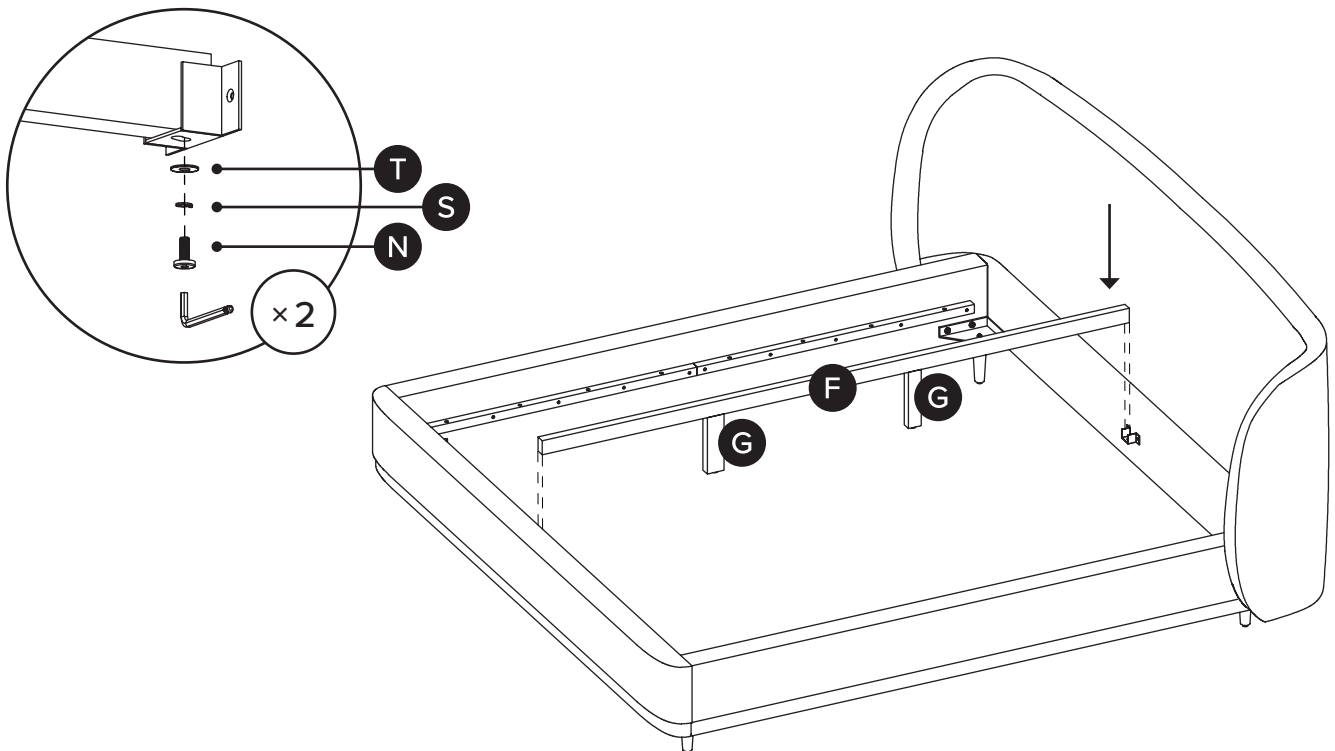
4



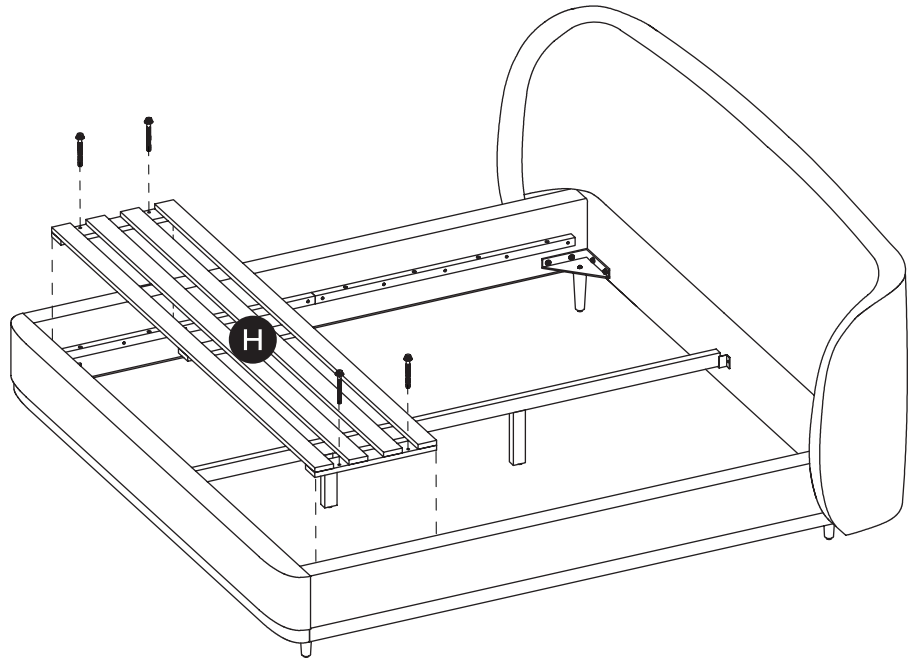
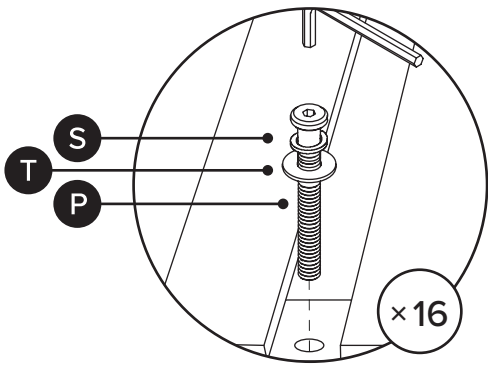
5



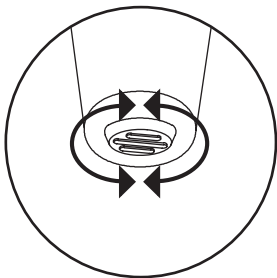
6



7



8



! Adjust levelers as needed.

