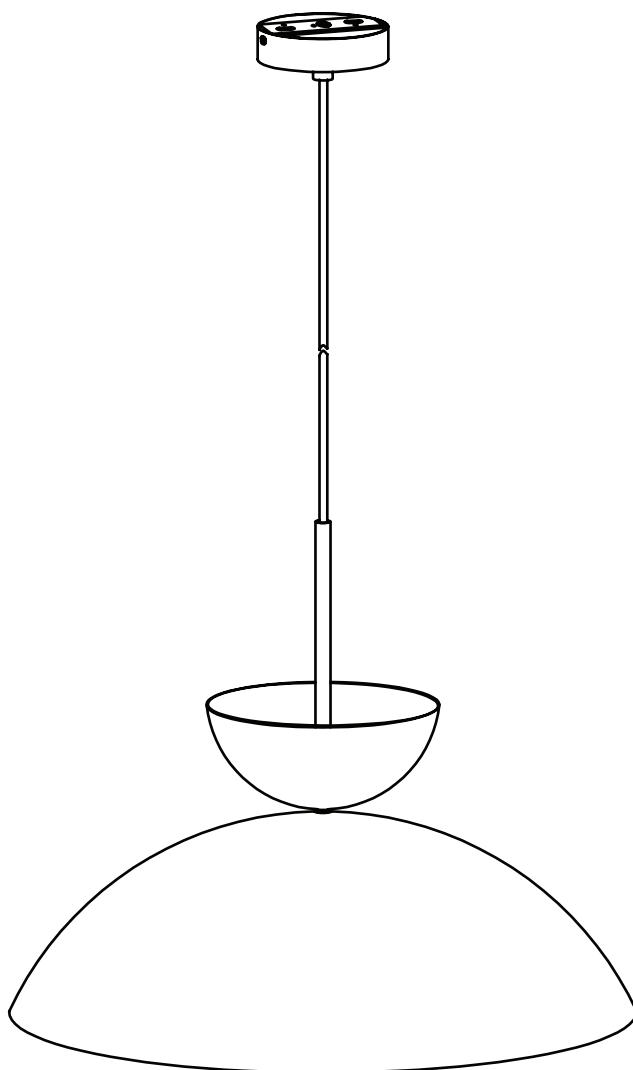


ARTICLE.

VERSION 1.0

Assembly Instructions



GEMMA

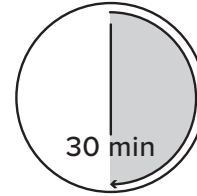
Pendant Lamp

ASSEMBLY INSTRUCTIONS

Read these instructions carefully and keep for future reference. Refer to parts inventory for guidance, and ensure you have all pieces before starting.

When assembling, place all parts on a soft, clean, and flat surface such as a carpet to prevent scratches.

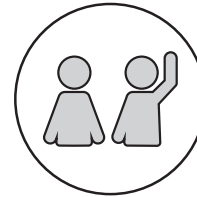
If you're having difficulty, our friendly Customer Care team is always here to help. Call us at **1.888.746.3455** during business hours, email service@article.com or chat live at article.com.



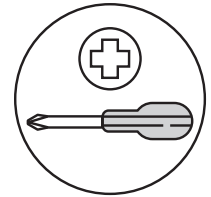
TIME



DIFFICULTY



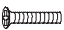





OF PEOPLE



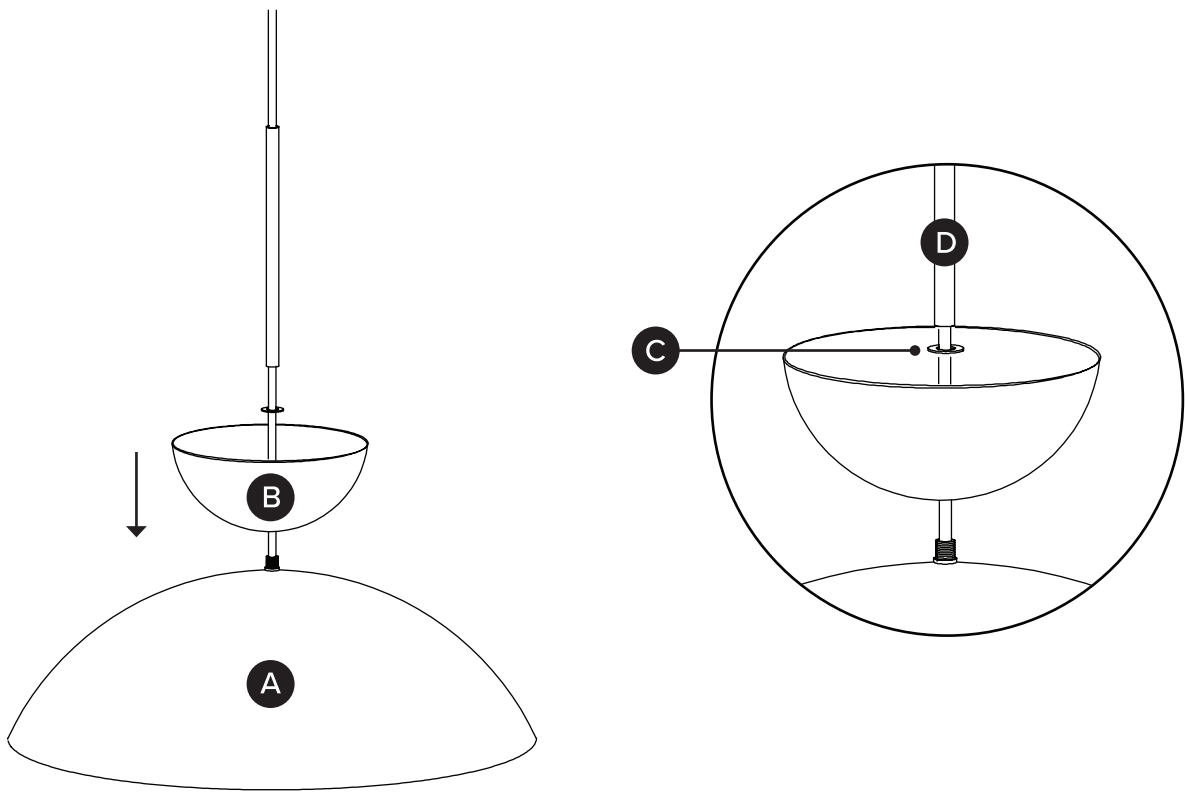
REQUIRED TOOL

! Consultation with a professional electrician is recommended for the installation of this pendant lamp.

PARTS INVENTORY		
ID	DESCRIPTION	QTY
A	LAMP SHADE	1
B	TOP COVER	1
C	METAL WASHER 	1
D	METAL TUBE	1
E	CROSSBAR BRACKET 	1
F	MOUNTING SCREW 	2
G	WIRE NUT 	3
H	SHORT GREEN SCREW 	1
I	POWER SUPPLY CORD	1
J	CANOPY	1

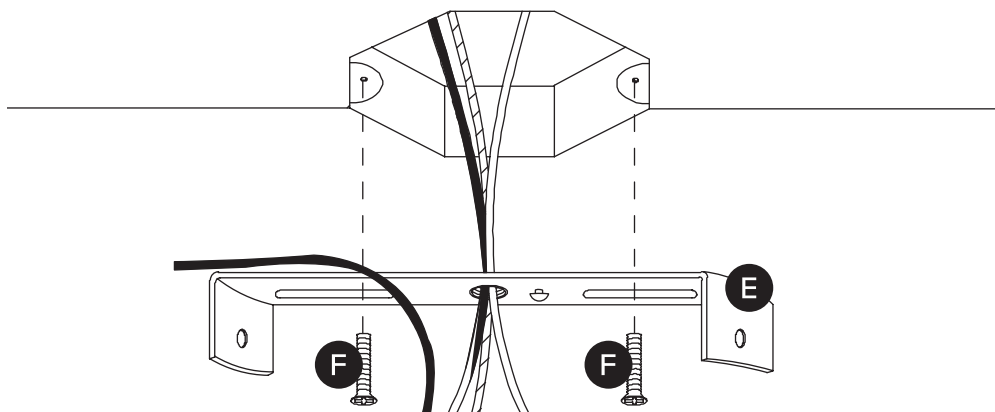
PARTS INVENTORY CONT.		
ID	DESCRIPTION	QTY
K	SIDE SCREW 	2
L	BULB (E26 A19 4W LED)	1

1



2

CAUTION
Turn off power at main circuit panel before starting installation.



! Thread wires through crossbar bracket (E) before attaching to junction box.

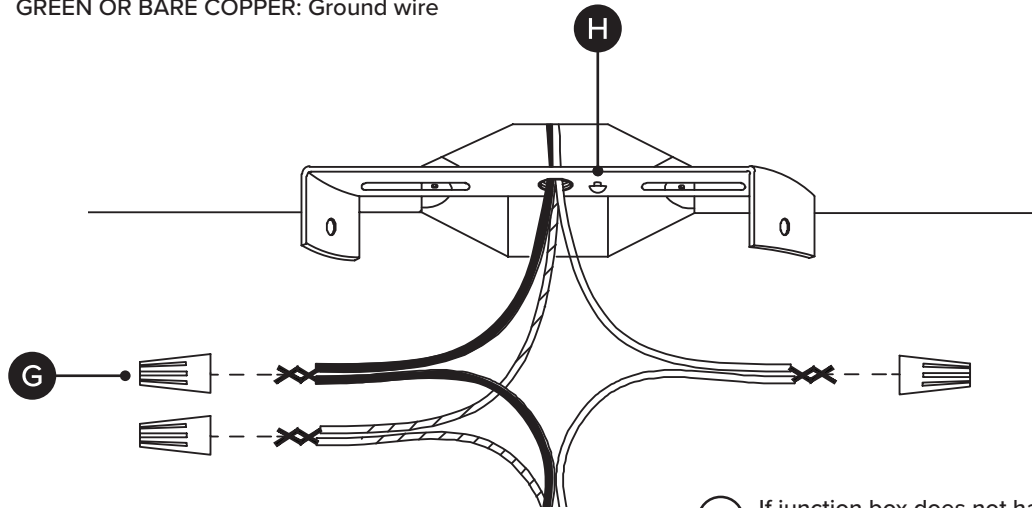
3

! Match up wires by color and attach with wire nuts (G).

BLACK: Live

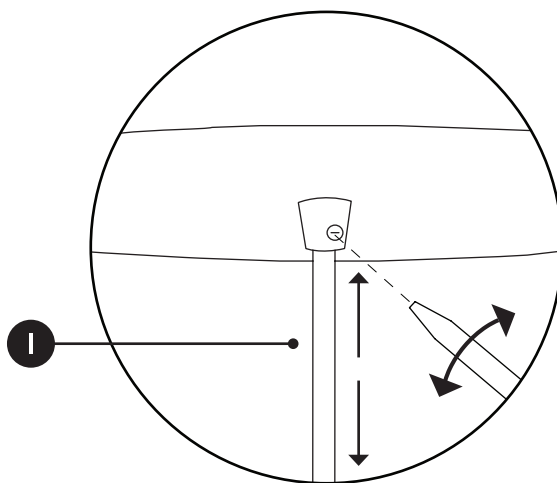
WHITE: Neutral

GREEN OR BARE COPPER: Ground wire



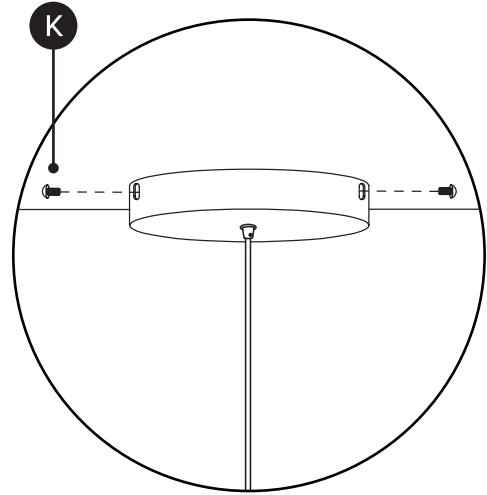
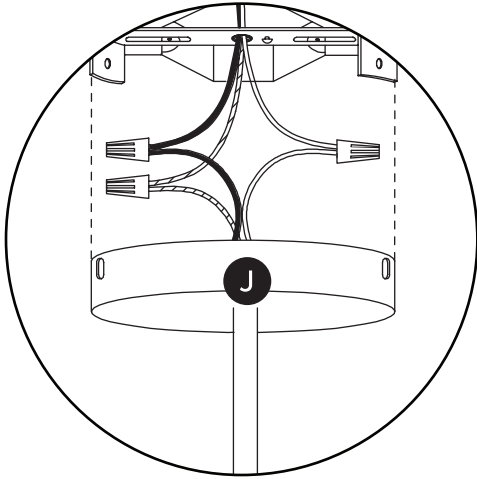
! If junction box does not have a green ground wire, attach ground wire from lamp to short green screw (H) on crossbar.

4



! Loosen screw on side of cord anchorage to adjust length of power cord (I) and tighten to secure.

5



6

