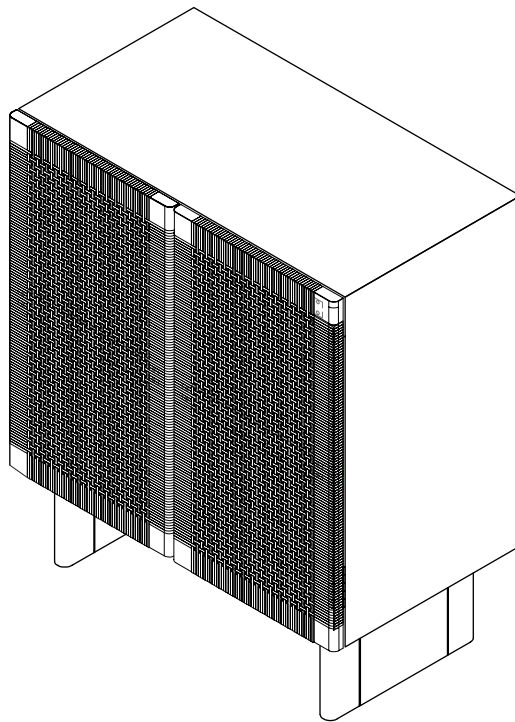


# ARTICLE.

VERSION 1.0

Levelling/Alignment Instruction

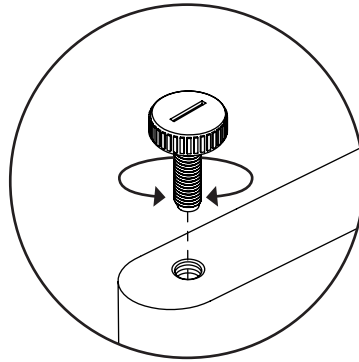


# NOYKO

Rattan Cabinet

## ADJUSTING LEVELER

Adjust the leveler in the bottom to get the cabinet in one level.

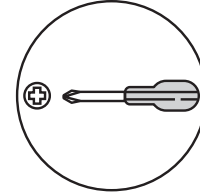


1

## DOOR ADJUSTMENT INSTRUCTIONS



During shipping, the doors of your cabinet may have shifted slightly. This can easily be corrected by tightening a few screws. Always start by adjusting the top hinge on the affected door.

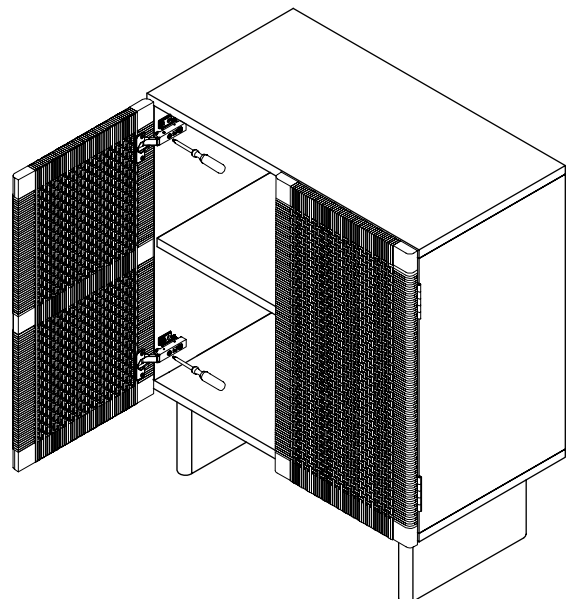
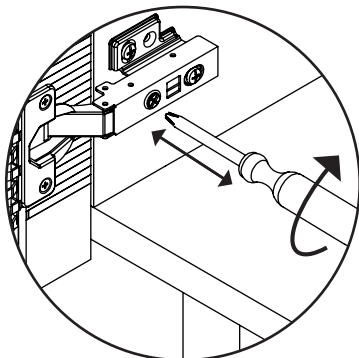


REQUIRED TOOL

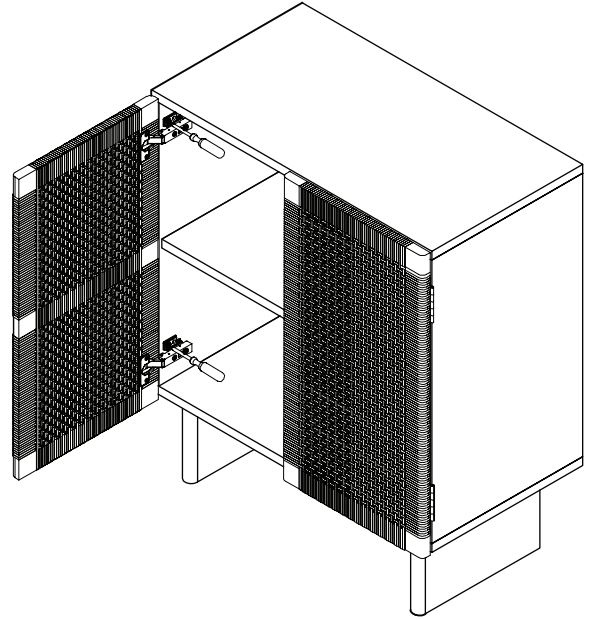
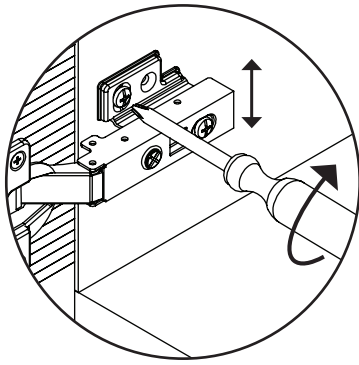
## LEVELLING / ALIGNMENT



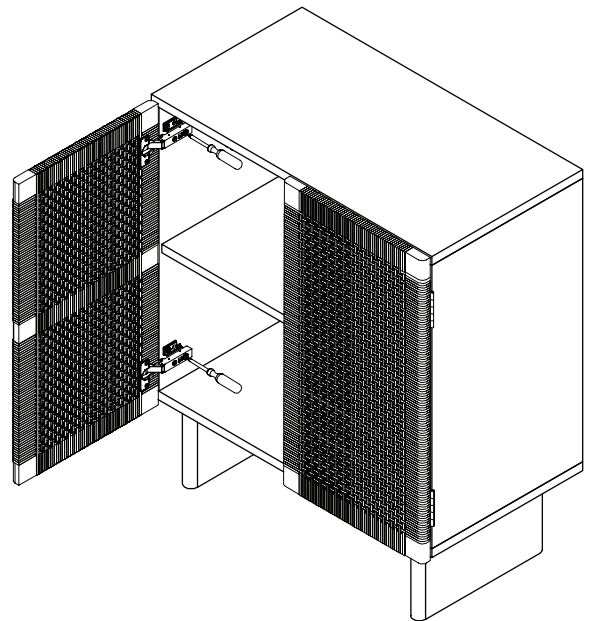
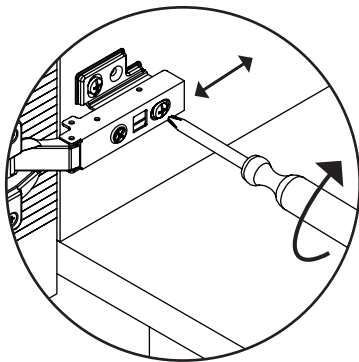
If the doors do not appear square or aligned, loosen or tighten the appropriate screws on each case hinge as illustrated.



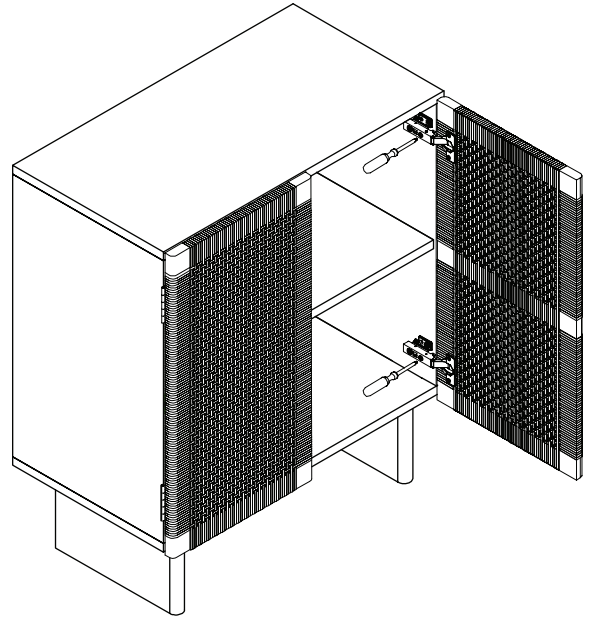
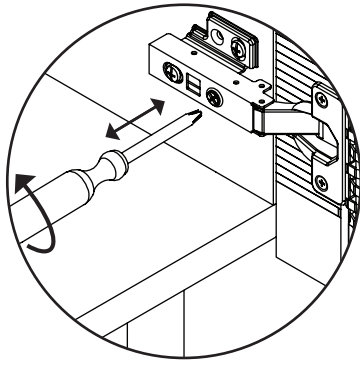
2



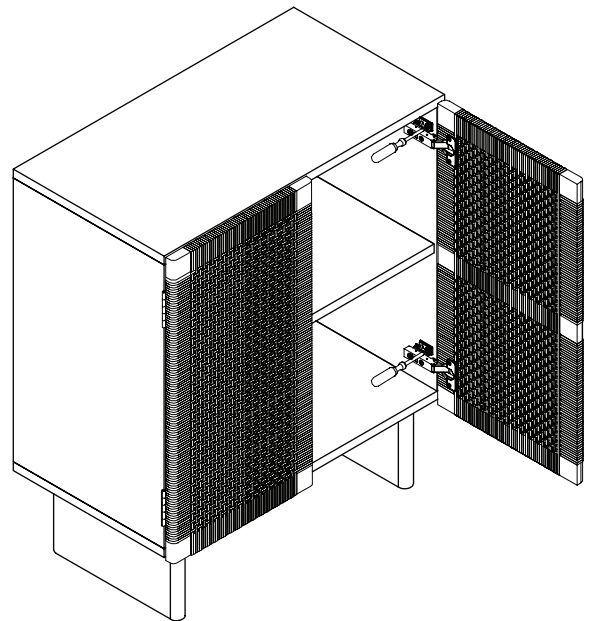
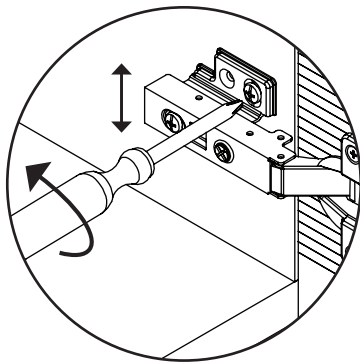
3



4



5



6

