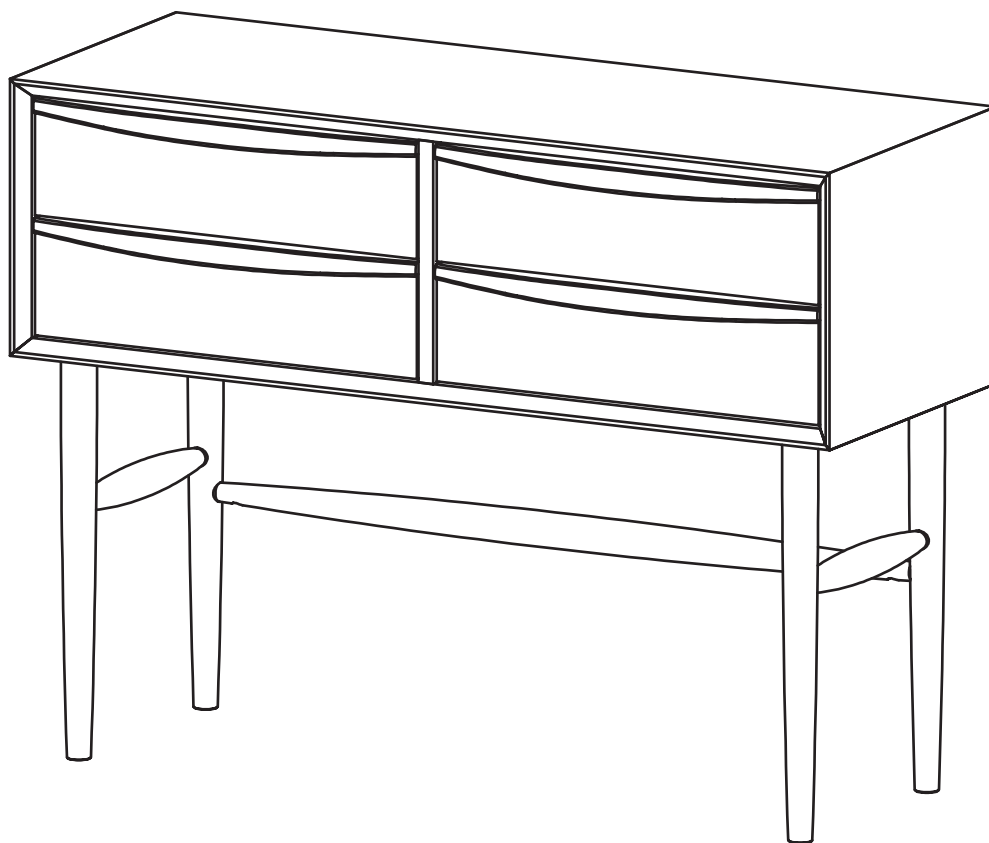


# ARTICLE.

VERSION 1.0

## Assembly Instructions



# LENIA

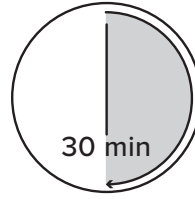
Console

## ASSEMBLY INSTRUCTIONS

Read these instructions carefully and keep for future reference. Refer to parts inventory for guidance, and ensure you have all pieces before starting.

When assembling, place all parts on a soft, clean, and flat surface such as a carpet to prevent scratches.

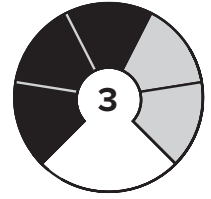
If you're having difficulty, our friendly Customer Care team is always here to help. Call us at **1.888.746.3455** during business hours, email [service@article.com](mailto:service@article.com) or chat live at [article.com](https://www.article.com).



TIME



# OF PEOPLE

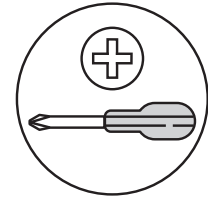


DIFFICULTY








ANTI-TIP

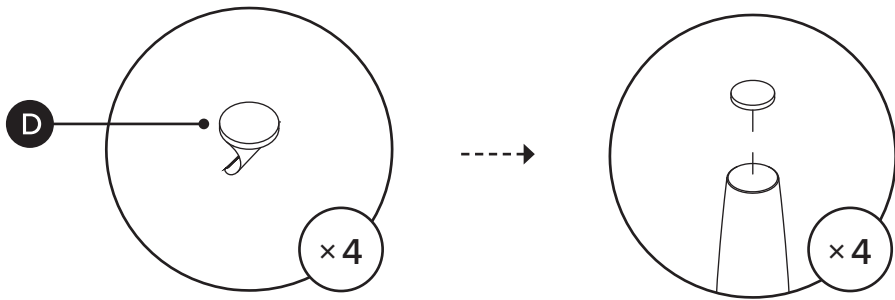
Installation Required



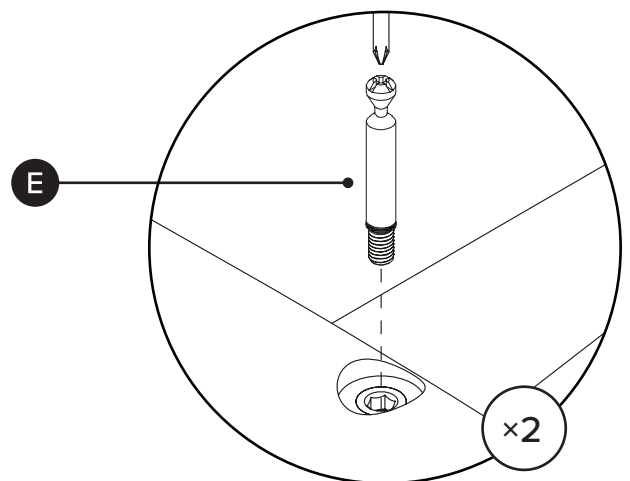
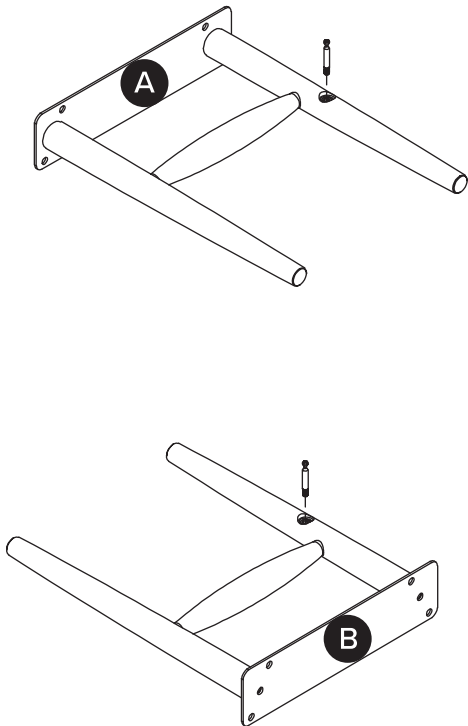
REQUIRED TOOL

PARTS INVENTORY		
ID	DESCRIPTION	QTY
A	LEFT LEG	1
B	RIGHT LEG	1
C	CROSSBAR	1
D	FELT PAD 	4
E	COMPRESSION FITTING ANCHOR 	2
F	M8 × 8MM SCREW 	2
G	M8 × 15MM BOLT 	8
H	ALLEN KEY 	1

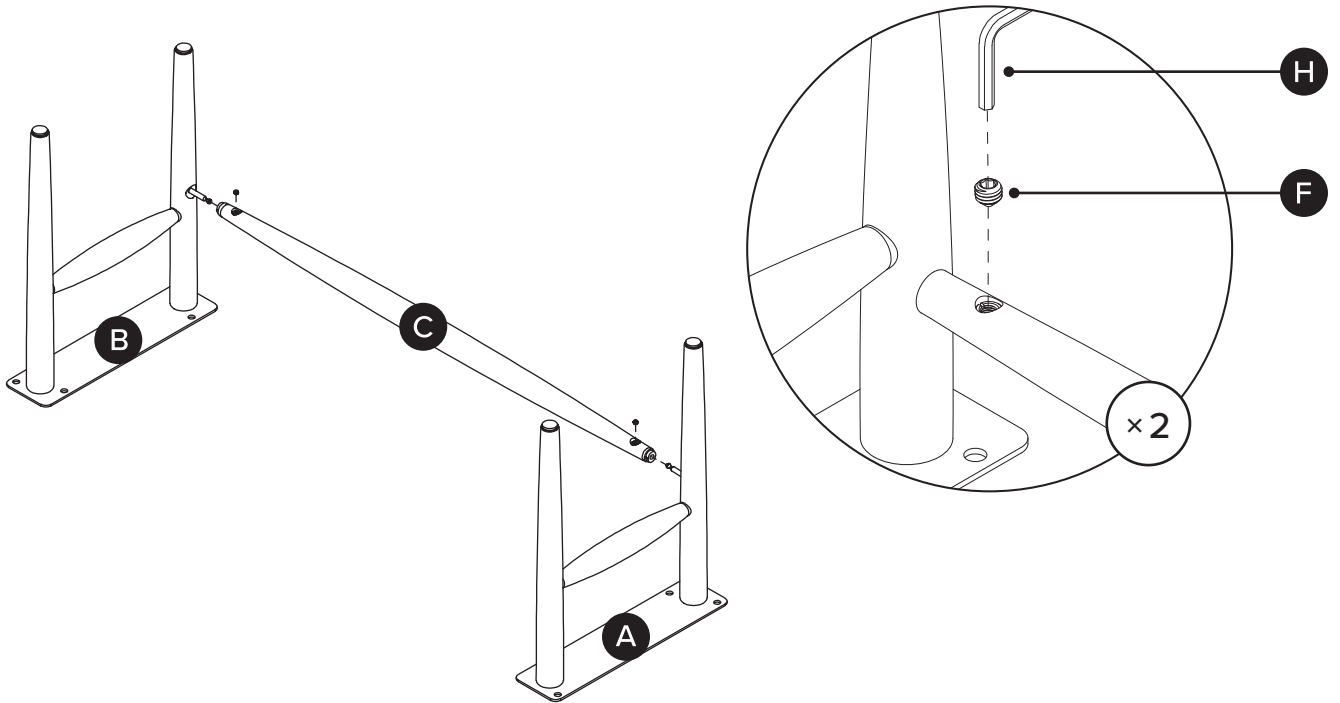
1



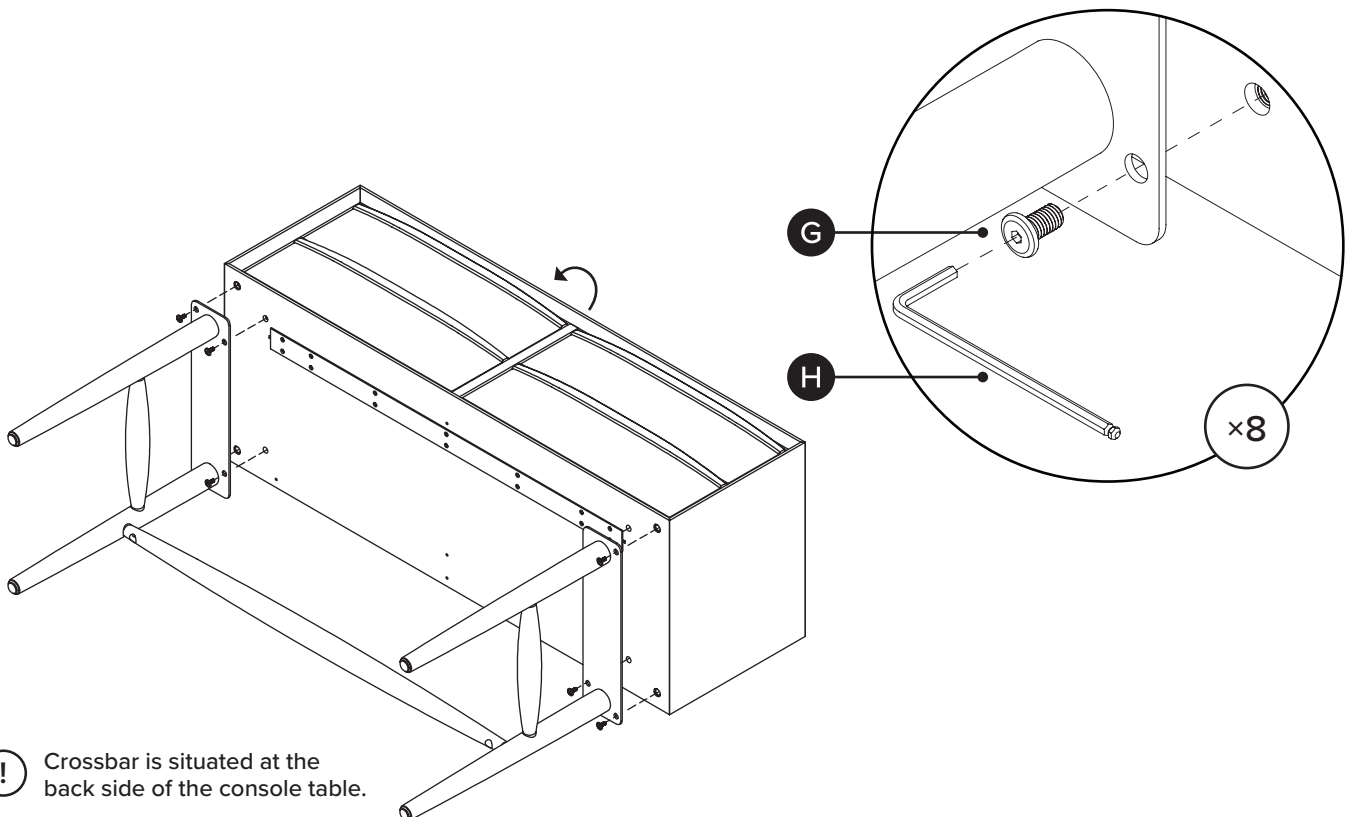
2



3

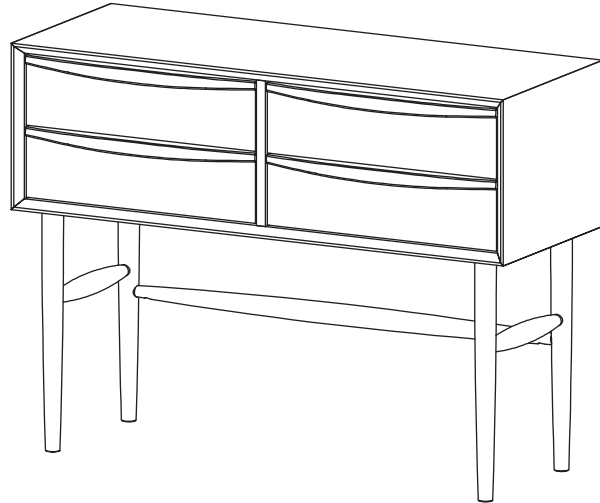


4



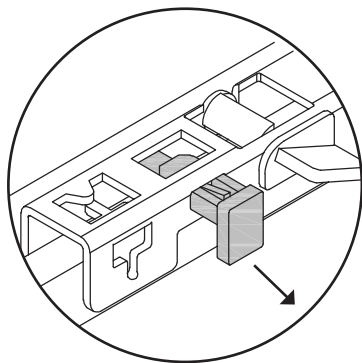
! Crossbar is situated at the back side of the console table.

5

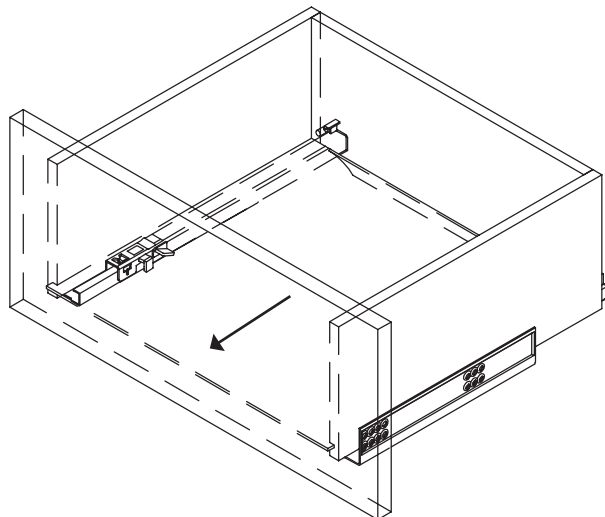


! Lift the unit upright after completing assembly

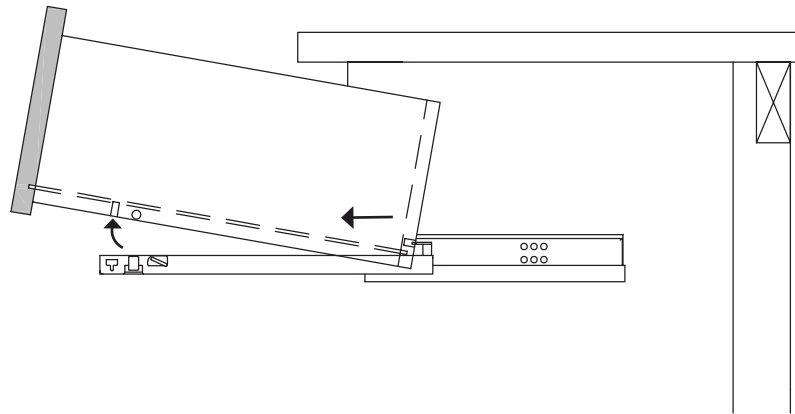
6



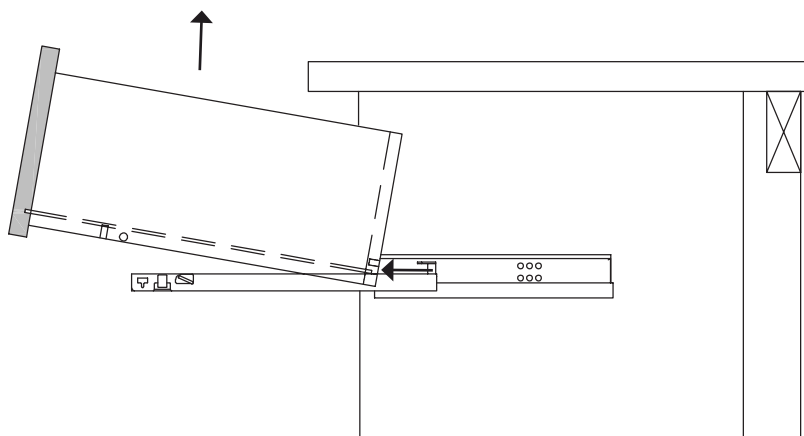
! To unlock.



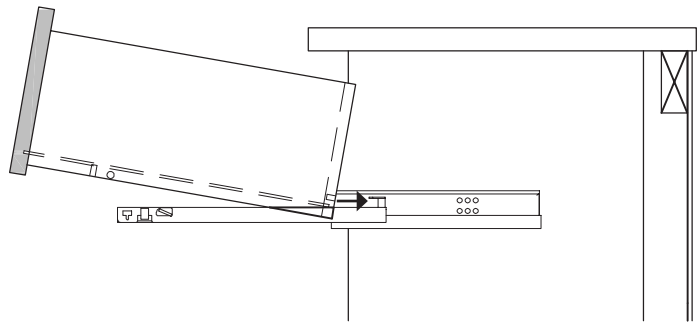
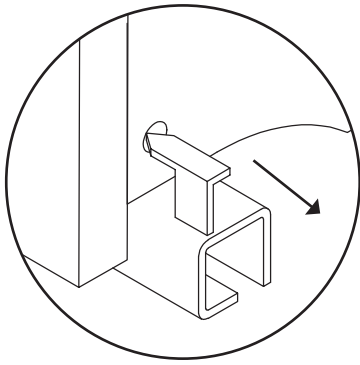
7



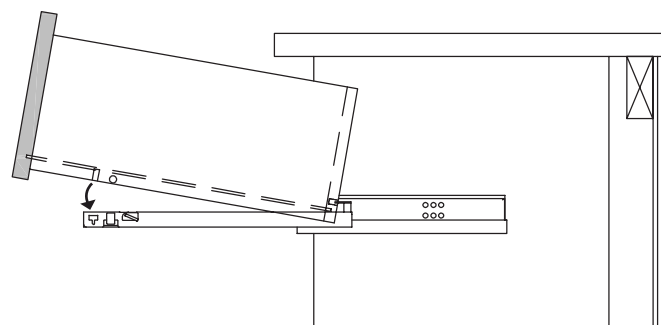
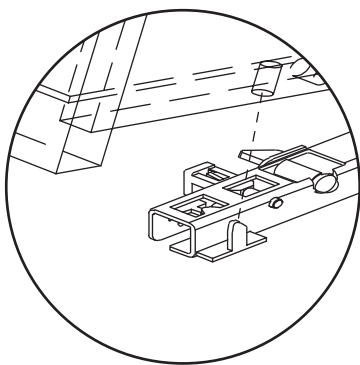
8



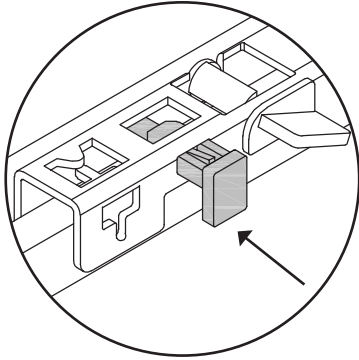
9



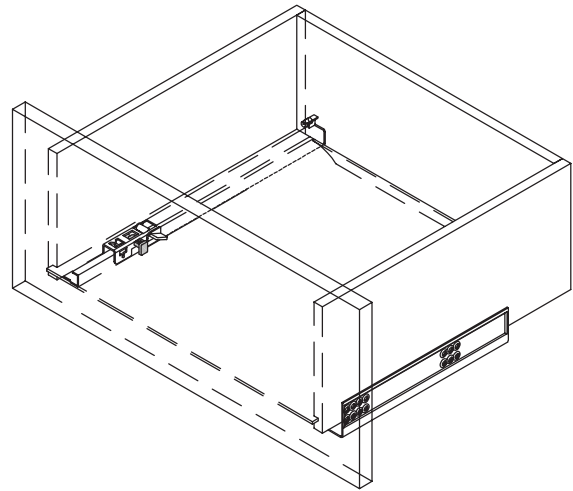
10



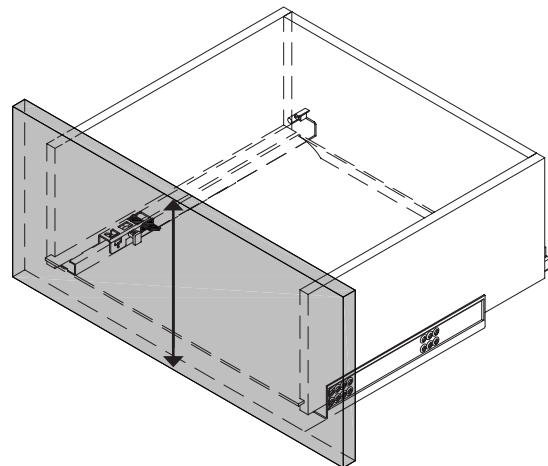
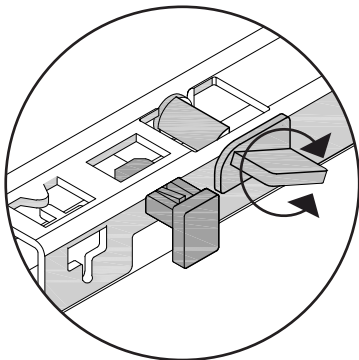
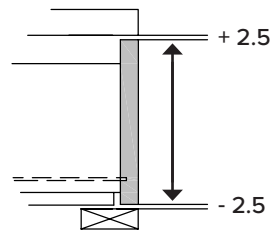
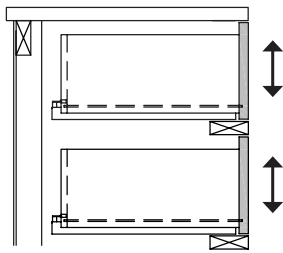
11



! To lock.



12





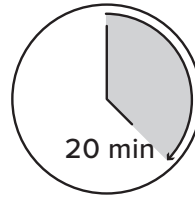


## ANTI-TIP RESTRAINT INSTALLATION

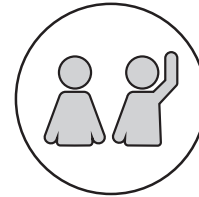
### WARNING!

Children have died from furniture tipover.  
To reduce the risk of furniture tipover:

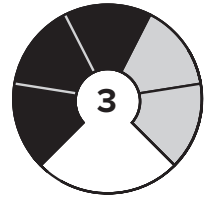
- ALWAYS install tipover restraint provided.
- NEVER put a TV on this product.
- NEVER allow children to stand, climb or hang on drawers, doors, or shelves.
- NEVER open more than one drawer at a time.
- Place heaviest items in the lower drawers.



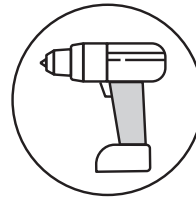
TIME



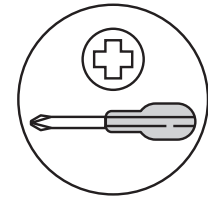
# OF PEOPLE





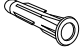
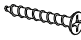

DIFFICULTY



REQUIRED TOOL  
8MM / 5/16" DRILL BIT

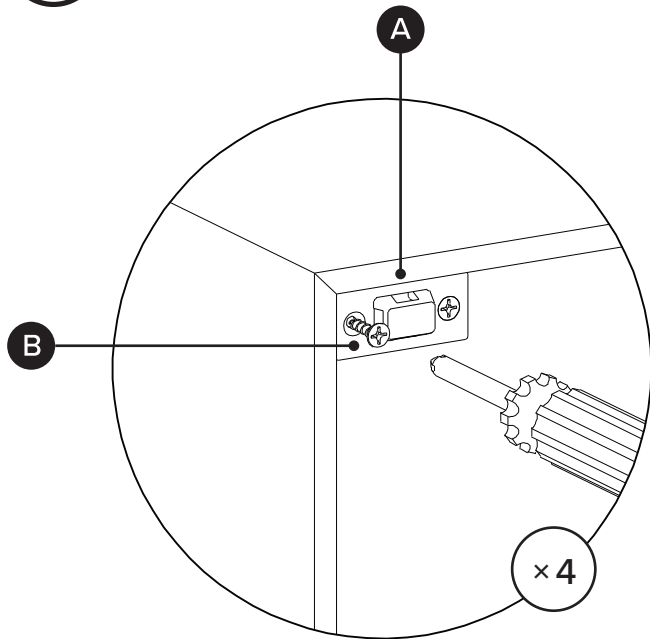


REQUIRED TOOL

PARTS INVENTORY		
ID	DESCRIPTION	QTY
<b>A</b>	BRACKET 	4
<b>B</b>	M4 × 17MM SCREW 	4
<b>C</b>	M8 × 51MM PLUG 	4
<b>D</b>	M6 × 70MM SCREW 	4
<b>E</b>	STRAP 	2

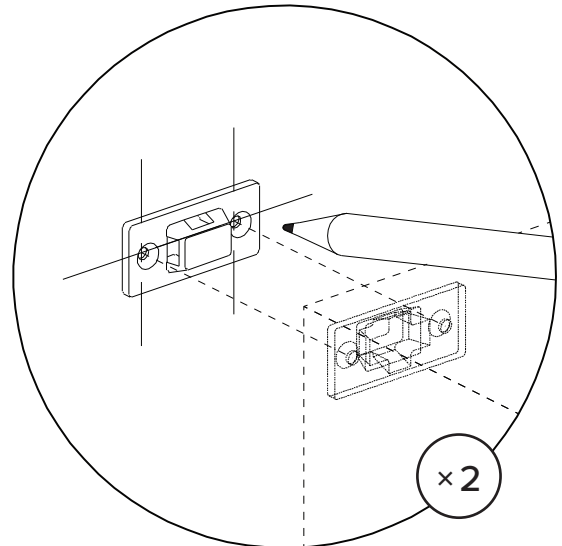
Hardware (C/D) to attach brackets to wall is designed for drywall. To attach this unit to another type of wall, consult with your local hardware store.

1



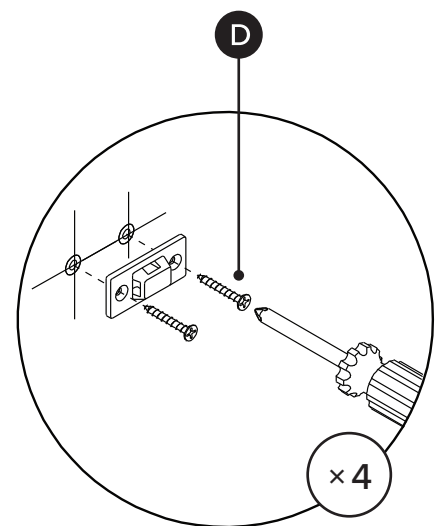
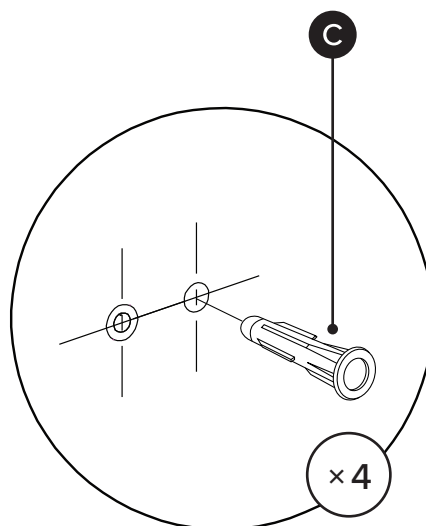
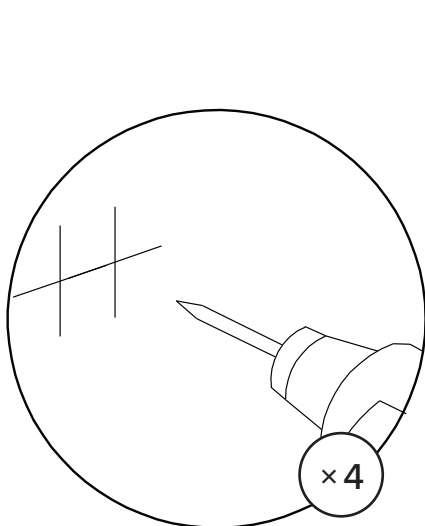
Attach pair of brackets to top corners of the back of the unit. Note there are no existing pilot holes on the product.

2



Mark on wall where second pair of brackets should be placed.

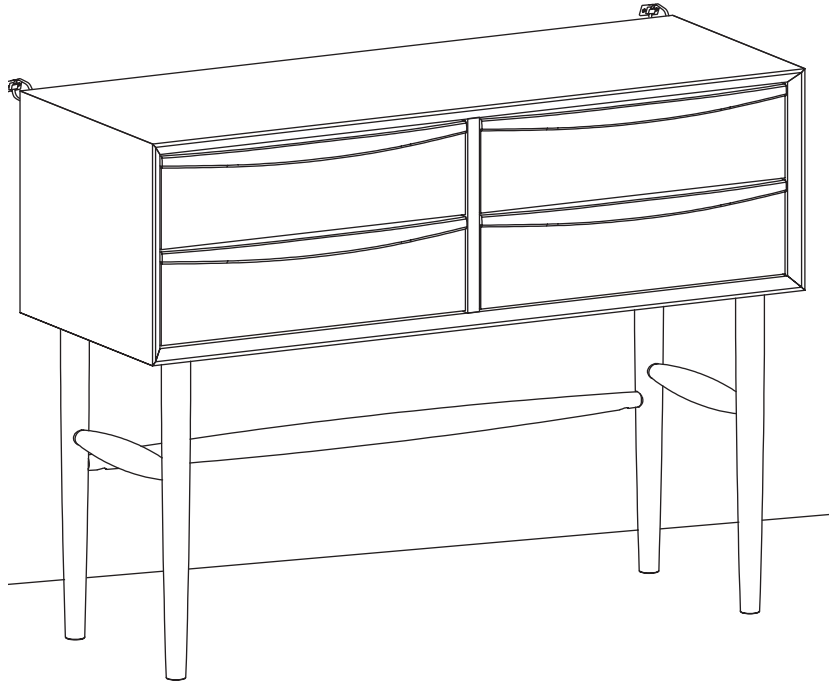
3



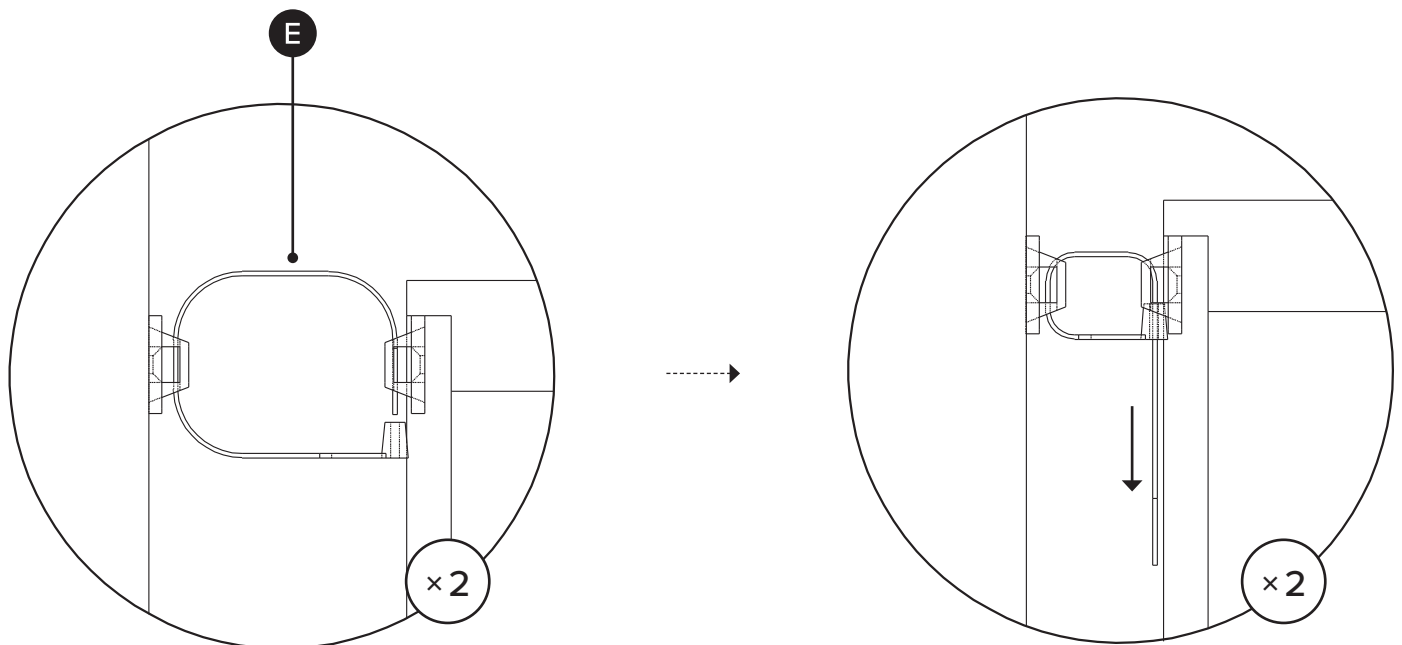
Drill holes in wall using 8mm / 5/16" drill bit.

4A

Align brackets on unit  
with brackets on wall.



4B



Pull strap down until it snap-locks.