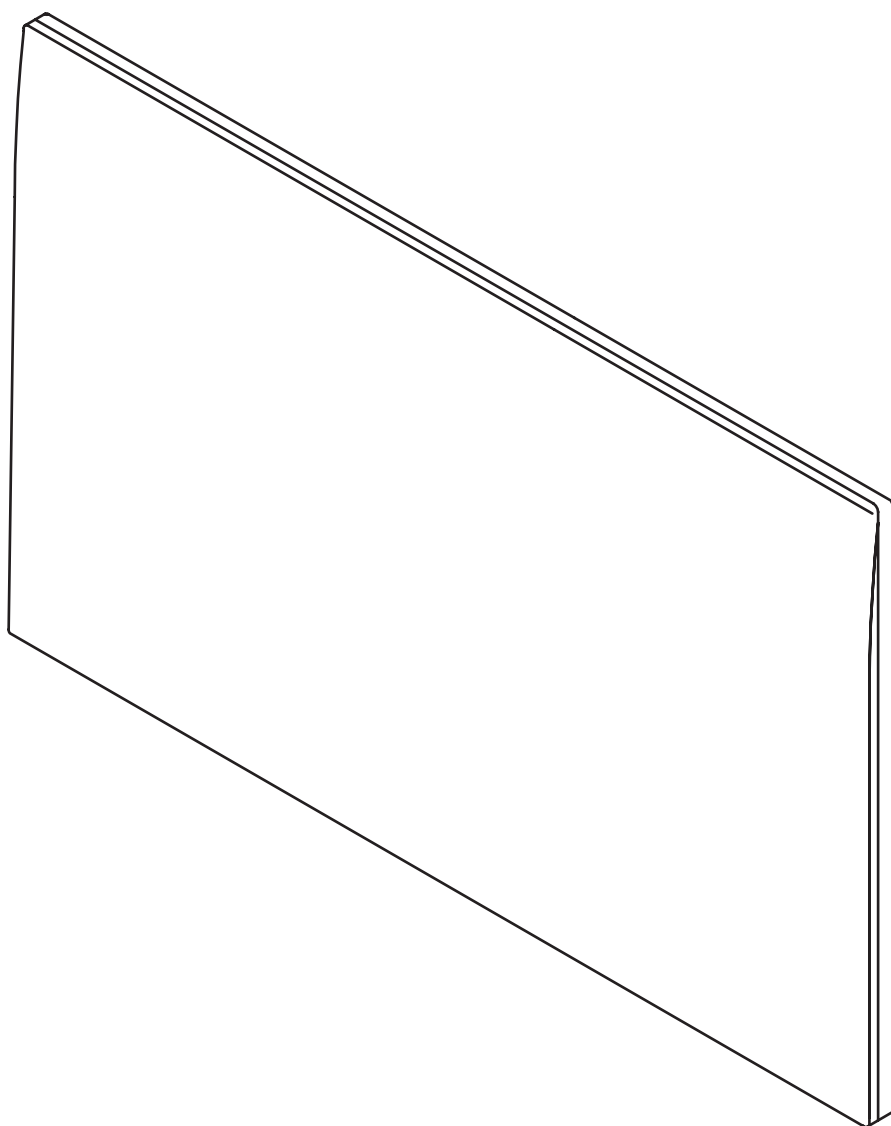


ARTICLE.

VERSION 1.0

Assembly Instructions



SABA

King Slipcover Headboard

ASSEMBLY INSTRUCTIONS

Read these instructions carefully and keep for future reference. Refer to parts inventory for guidance, and ensure you have all pieces before starting.

When assembling, place all parts on a soft, clean, and flat surface such as a carpet to prevent scratches.

If you're having difficulty, our friendly Customer Care team is always here to help. Call us at **1.888.746.3455** during business hours, email service@article.com or chat live at [article.com](https://www.article.com).



TIME



DIFFICULTY



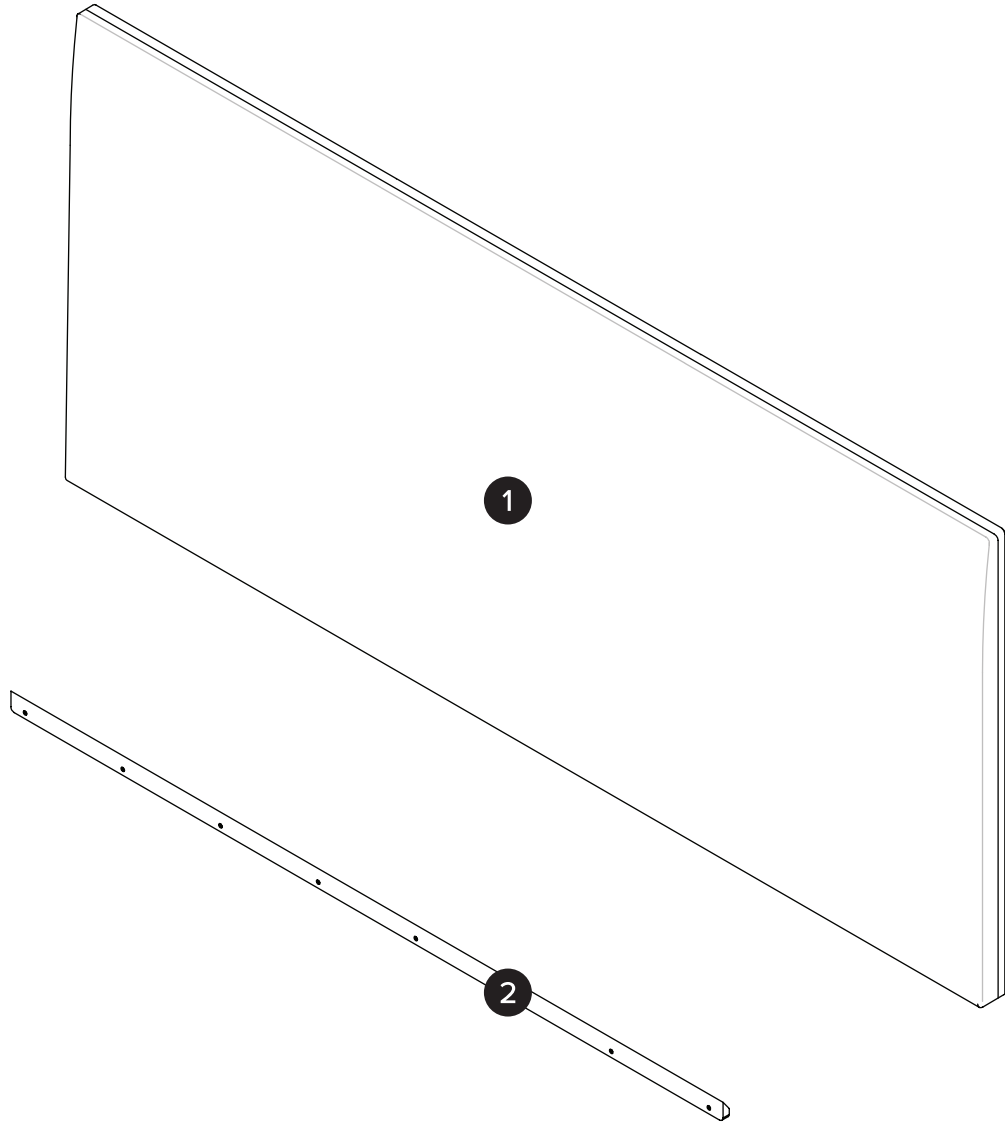
OF PEOPLE

!

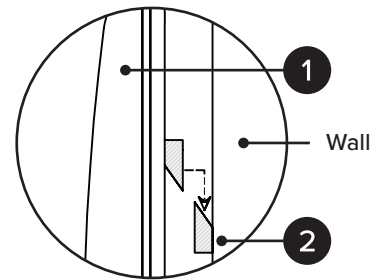
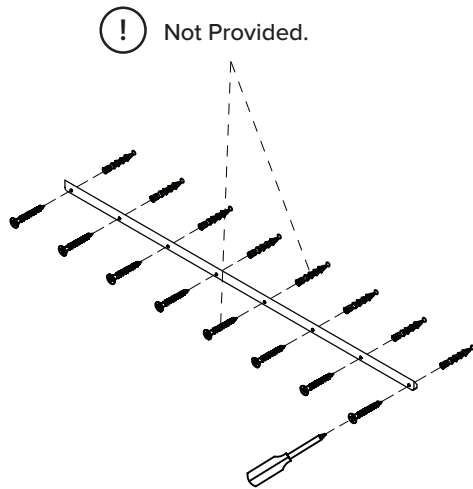
REQUIRED ASSEMBLY SPACE

Floor area required is 2.5m x 2.5m.
Ceiling height is 2.5m.

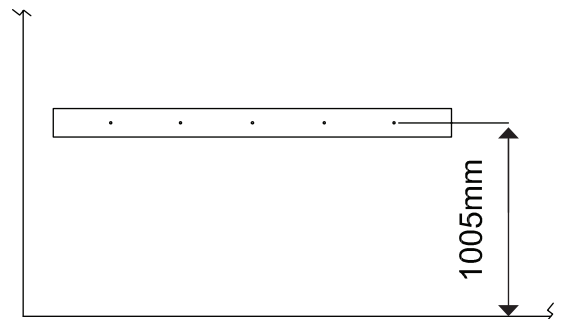
PARTS INVENTORY		
ID	DESCRIPTION	QTY
1	WALL HEADBOARD	1
2	WALL HEADBOARD SUPPORT	1



1



NOTE : Screw and wall plug are not supplied with this product as different wall materials require different types of fixing hardware and you must use suitable fixing hardware for the type of wall you intend to mount this product to wall.



2

