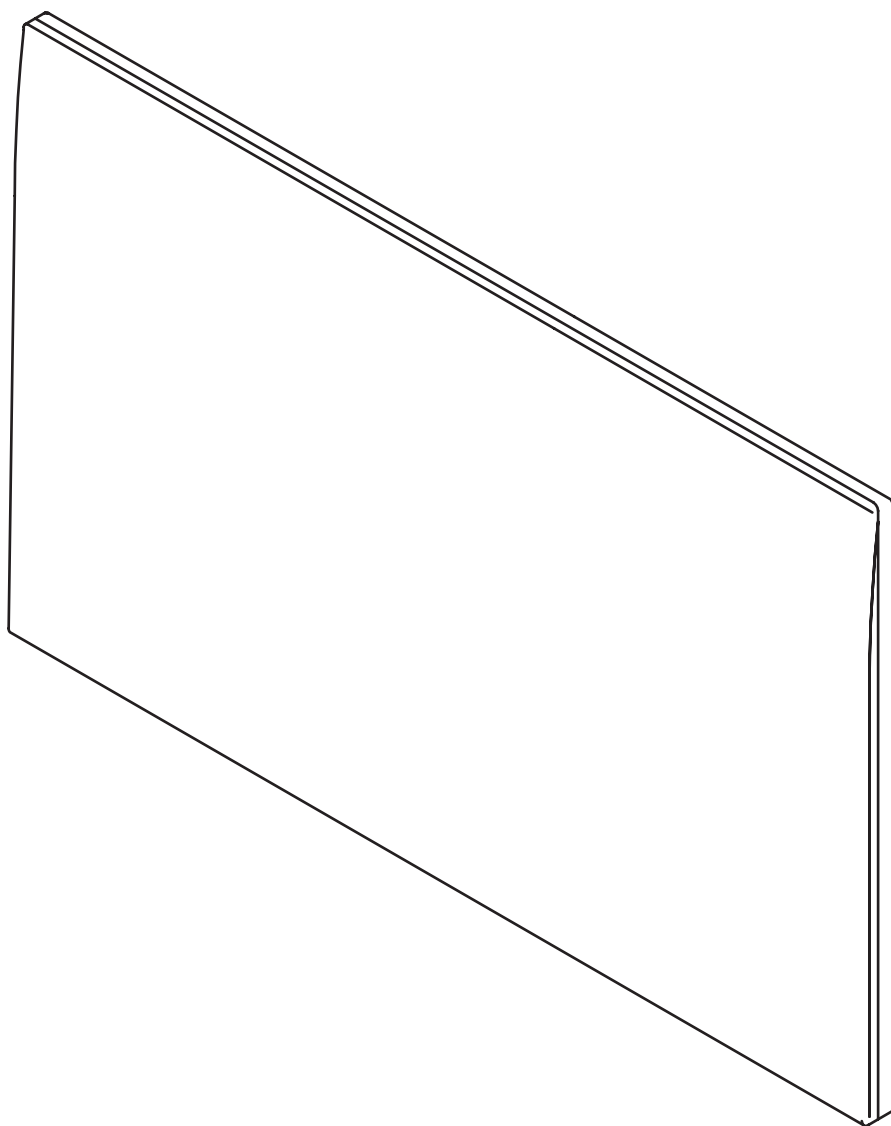


# ARTICLE.

VERSION 1.0

## Assembly Instructions



# SABA

Queen Slipcover Headboard

## ASSEMBLY INSTRUCTIONS

Read these instructions carefully and keep for future reference. Refer to parts inventory for guidance, and ensure you have all pieces before starting.

When assembling, place all parts on a soft, clean, and flat surface such as a carpet to prevent scratches.

If you're having difficulty, our friendly Customer Care team is always here to help. Call us at **1.888.746.3455** during business hours, email [service@article.com](mailto:service@article.com) or chat live at [article.com](https://www.article.com).



TIME



DIFFICULTY



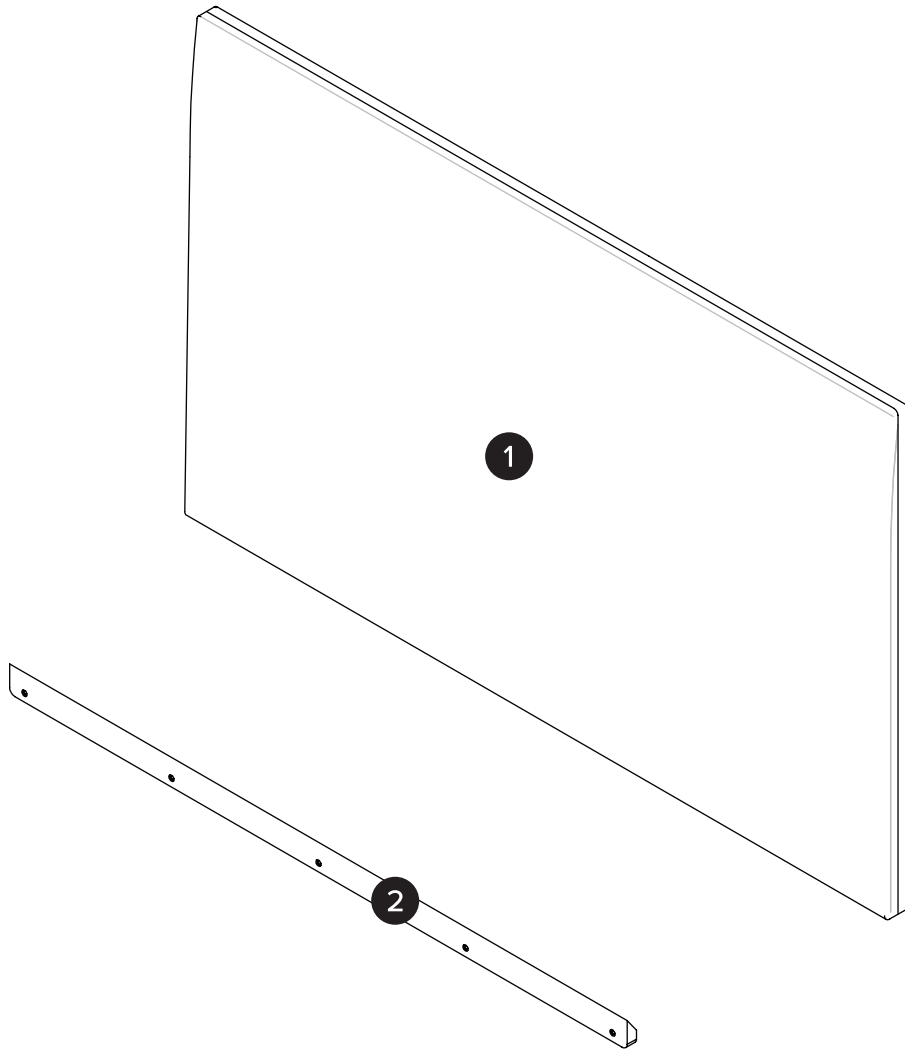
# OF PEOPLE

**!**

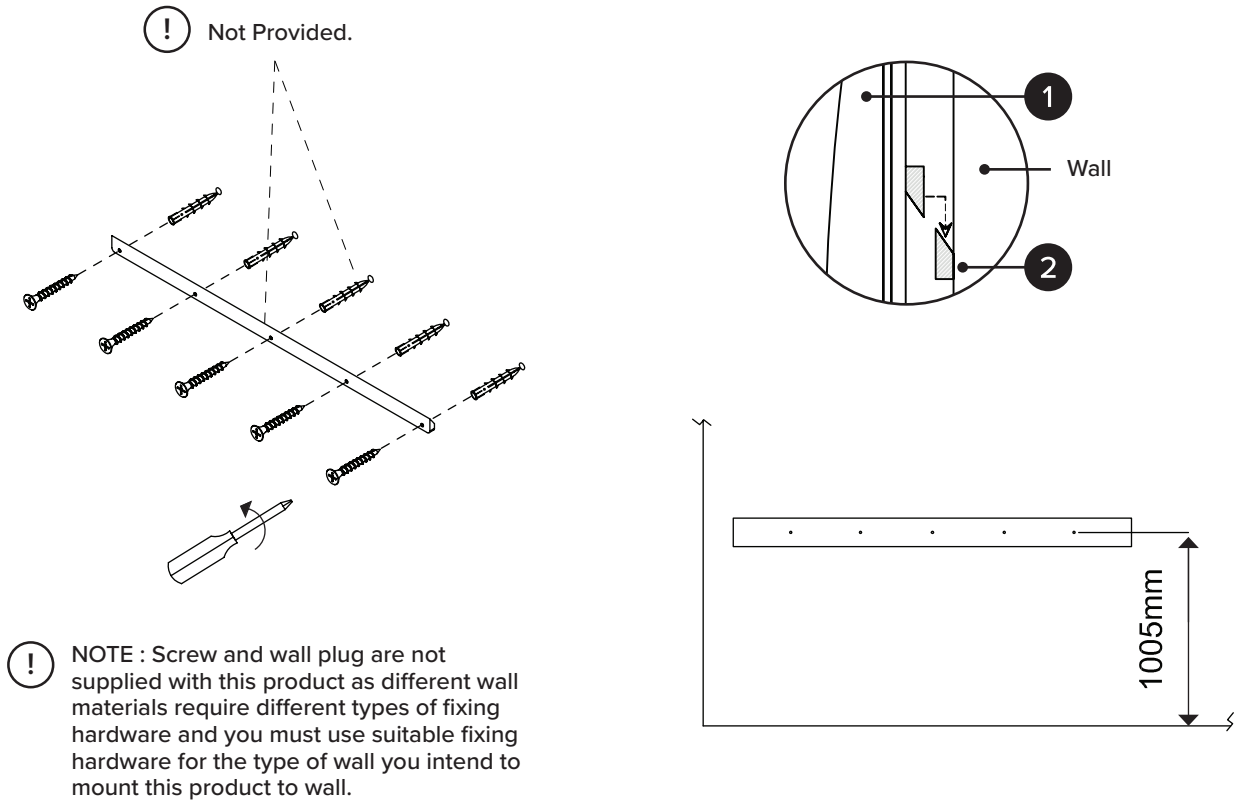
**REQUIRED ASSEMBLY SPACE**

Floor area required is 2.5m x 2.5m.  
Ceiling height is 2.5m.

PARTS INVENTORY		
ID	DESCRIPTION	QTY
1	WALL HEADBOARD	1
2	WALL HEADBOARD SUPPORT	1



1



2

