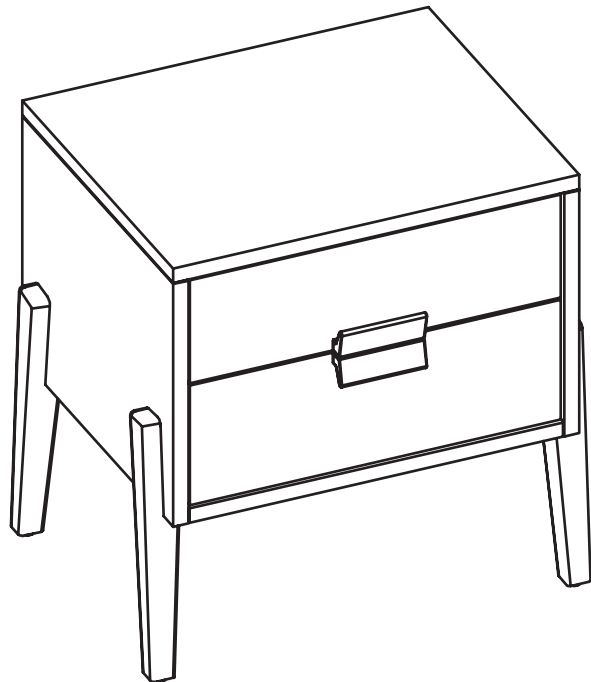


# ARTICLE.

VERSION 1.0

## Assembly Instructions



# VIREO

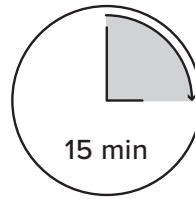
2 Drawer Nightstand

## ASSEMBLY INSTRUCTIONS

Read these instructions carefully and keep for future reference. Refer to parts inventory for guidance, and ensure you have all pieces before starting.

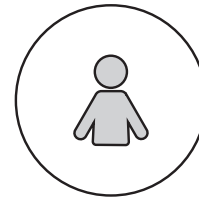
When assembling, place all parts on a soft, clean, and flat surface such as a carpet to prevent scratches.

If you're having difficulty, our friendly Customer Care team is always here to help. Call us at **1.888.746.3455** during business hours, email [service@article.com](mailto:service@article.com) or chat live at [article.com](https://www.article.com).

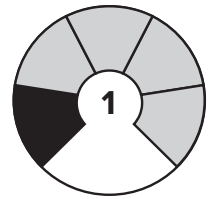


15 min


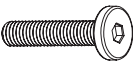


TIME



# OF PEOPLE

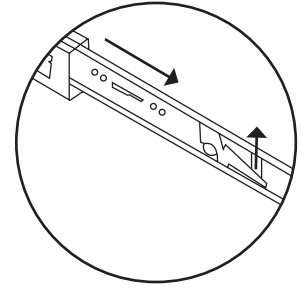
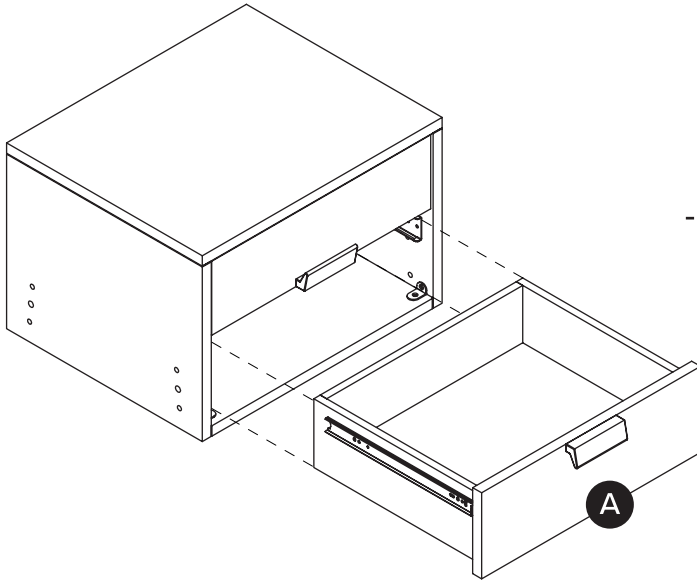


DIFFICULTY

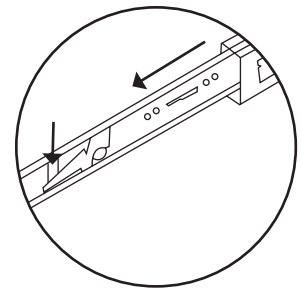
PARTS INVENTORY		
ID	DESCRIPTION	QTY
A	LEG 1	1
B	LEG 2	1
C	LEG 3	1
D	LEG 4	1
E	ALLEN KEY 	1
F	BOLT 	8
G	LOCK WASHER 	8
H	WASHER 	8

1

! To release drawer, use both hands and press the lever on each side at the same time.

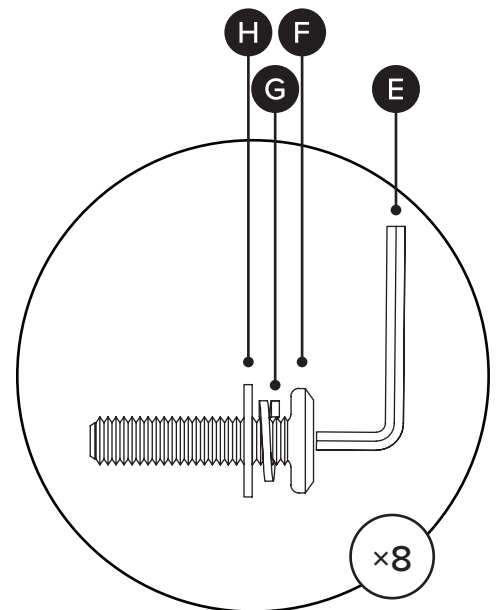
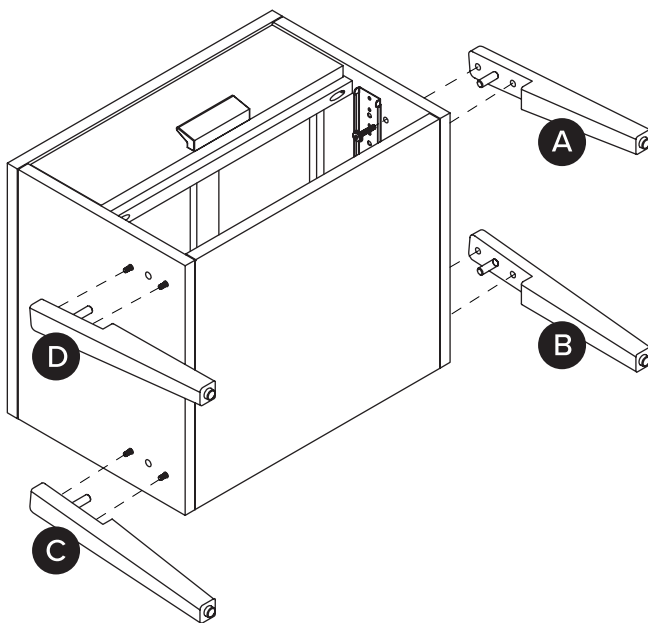


Left glider push up.



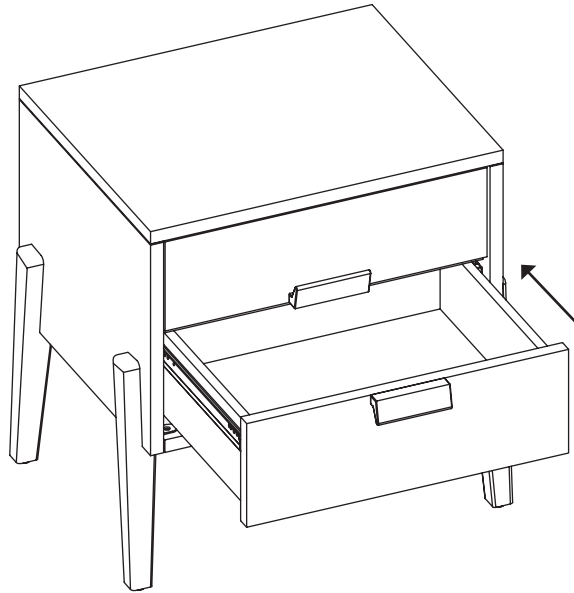
Right glider push down.

2



3

! Careful to push the drawer until it closes fully.



4

