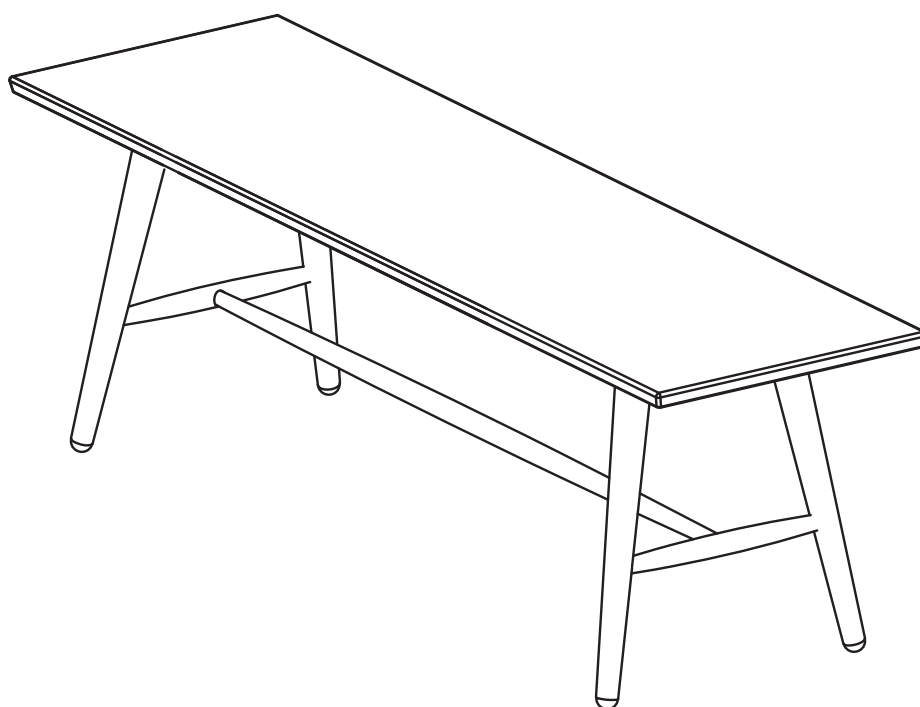


ARTICLE.

VERSION 1.3

Assembly Instructions



SENO

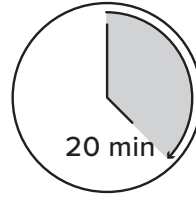
Bench

ASSEMBLY INSTRUCTIONS

Read these instructions carefully and keep for future reference. Refer to parts inventory for guidance, and ensure you have all pieces before starting.

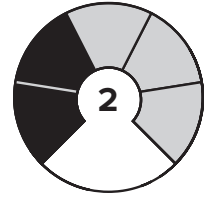
When assembling, place all parts on a soft, clean, and flat surface such as a carpet to prevent scratches.

If you're having difficulty, our friendly Customer Care team is always here to help. Call us at **1.888.746.3455** during business hours, email service@article.com or chat live at [article.com](https://www.article.com).



20 min

TIME

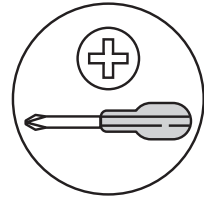


2

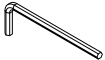


DIFFICULTY



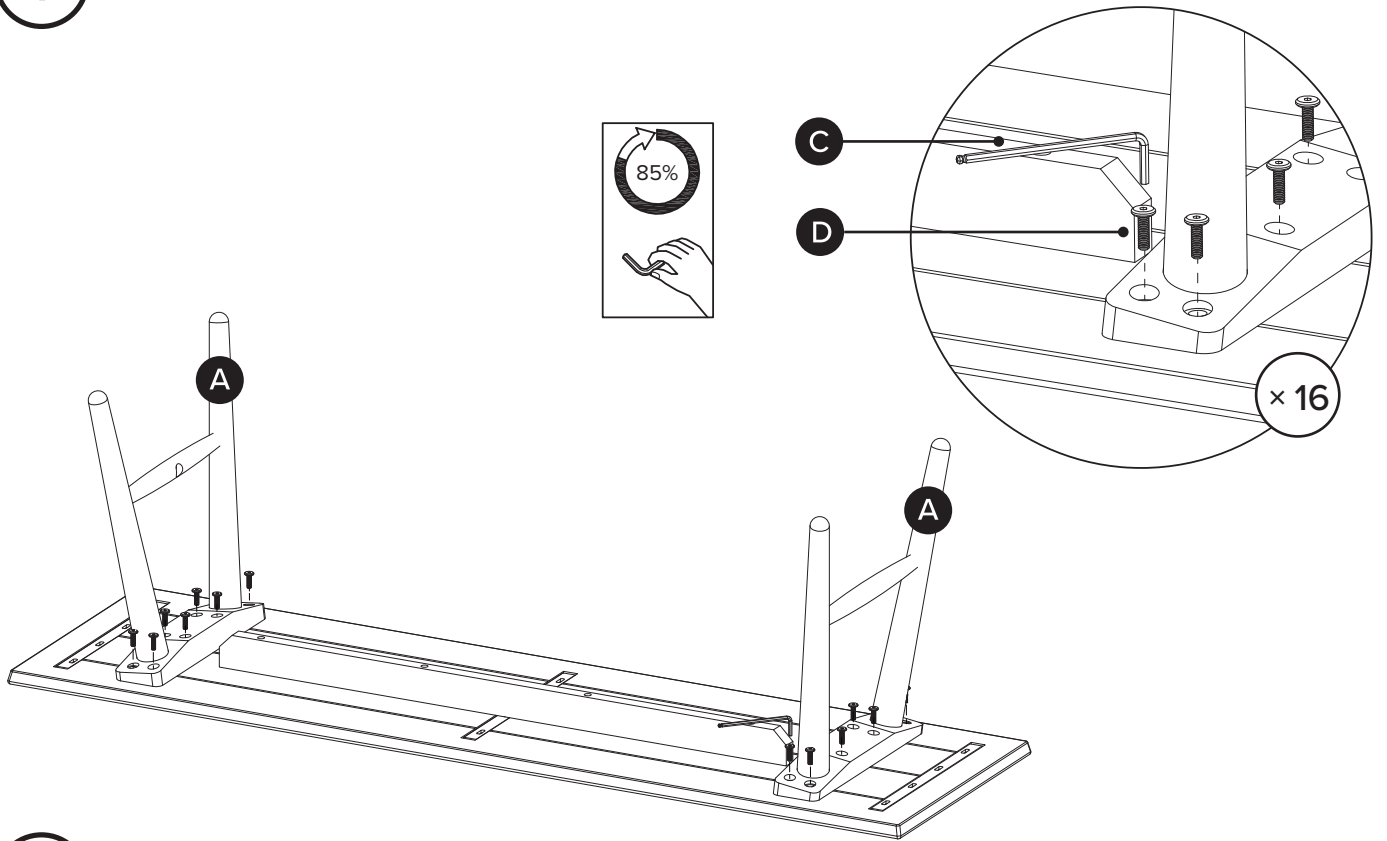
OF PEOPLE



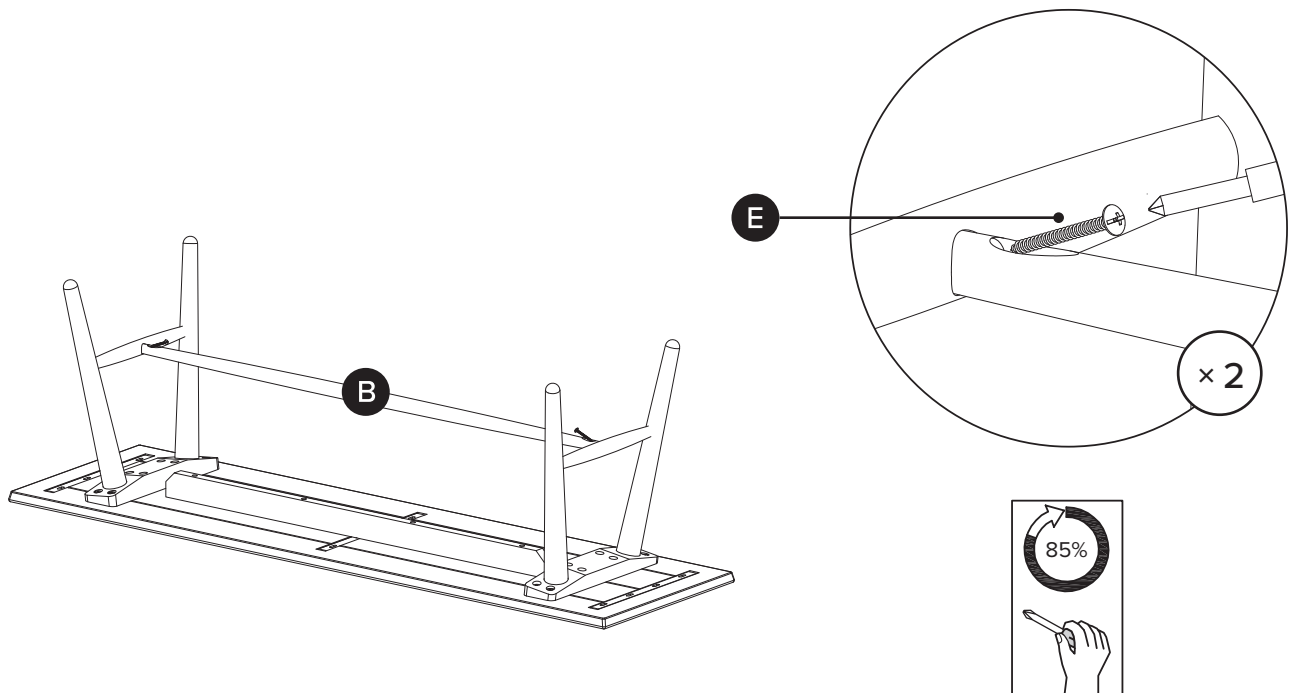
REQUIRED TOOL

PARTS INVENTORY		
ID	DESCRIPTION	QTY
A	LEG FRAME	2
B	CROSSBAR	1
C	ALLEN KEY 	1
D	M8 × 25MM BOLT 	16
E	M4 × 30MM SCREW 	2

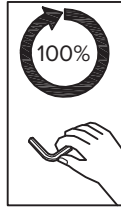
1



2



3



! Fully tighten all bolts (D) and screws (E) before turning upright.

