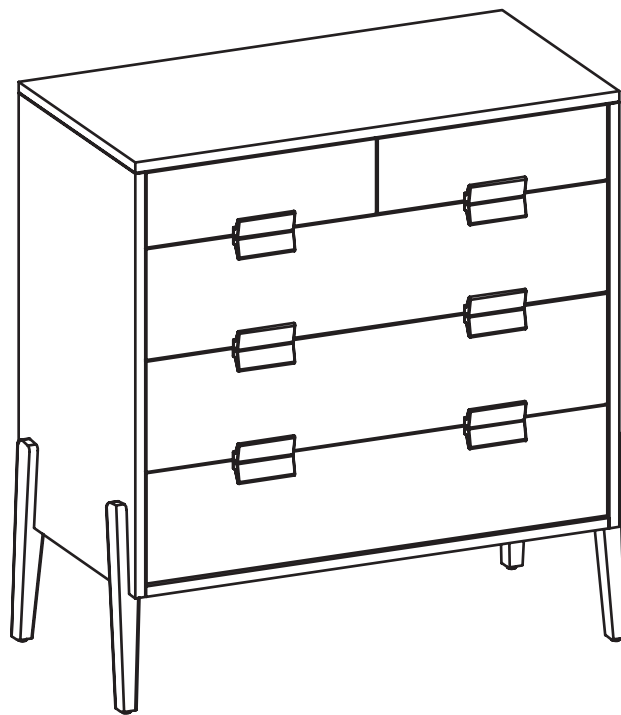


ARTICLE.

VERSION 1.0

Assembly Instructions



VIREO

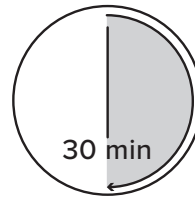
5 Drawer Dresser

ASSEMBLY INSTRUCTIONS

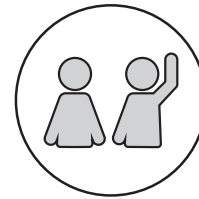
Read these instructions carefully and keep for future reference. Refer to parts inventory for guidance, and ensure you have all pieces before starting.

When assembling, place all parts on a soft, clean, and flat surface such as a carpet to prevent scratches.

If you're having difficulty, our friendly Customer Care team is always here to help. Call us at **1.888.746.3455** during business hours, email service@article.com or chat live at [article.com](https://www.article.com).



TIME



OF PEOPLE




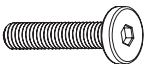


DIFFICULTY



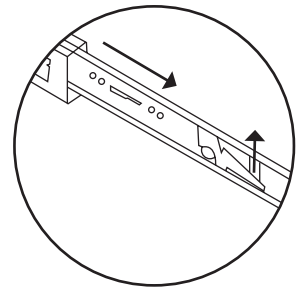
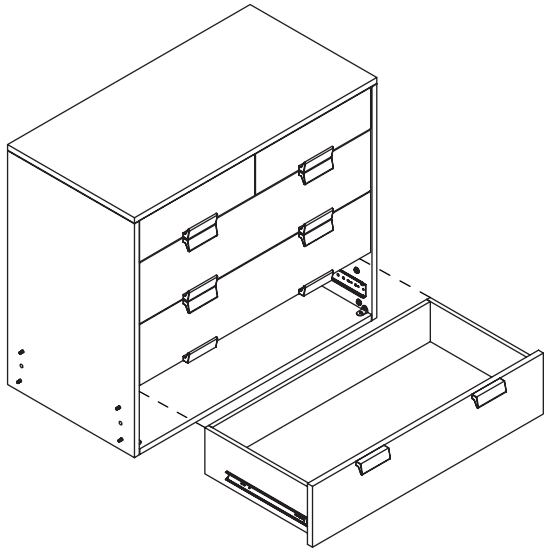
ANTI-TIP

Installation Required

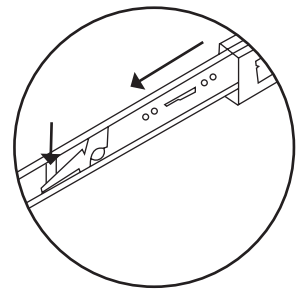
PARTS INVENTORY		
ID	DESCRIPTION	QTY
A	LEG 1	1
B	LEG 2	1
C	LEG 3	1
D	LEG 4	1
E	ALLEN KEY 	1
F	WASHER 	8
G	LOCK WASHER 	8
H	BOLT 	8

1

! To release drawer, use both hands and press the lever on each side at the same time.

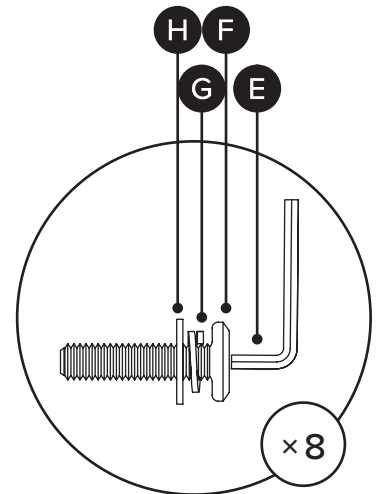
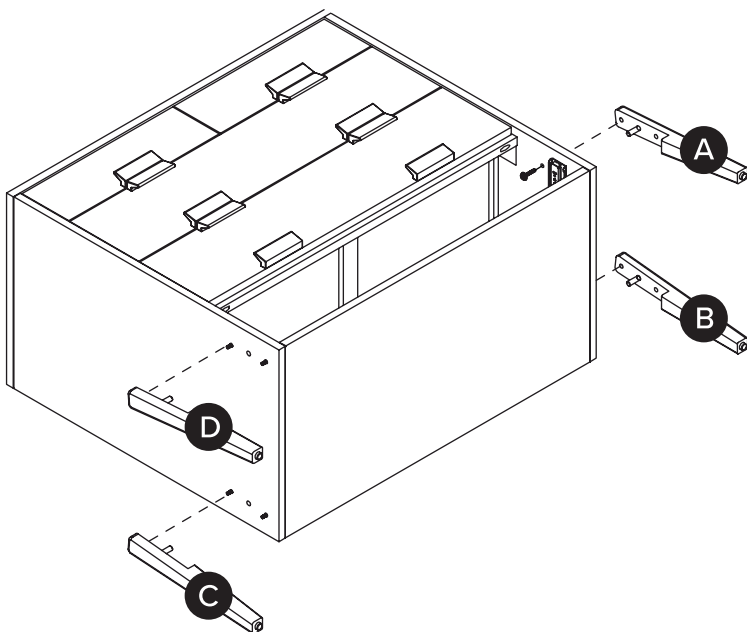


Left glider push up.



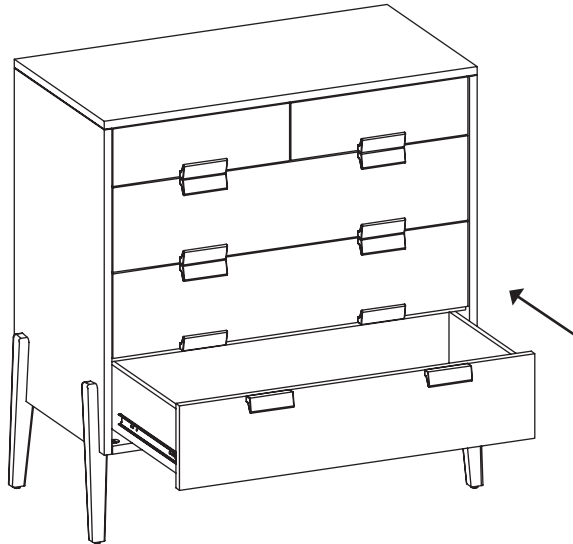
Right glider push down.

2

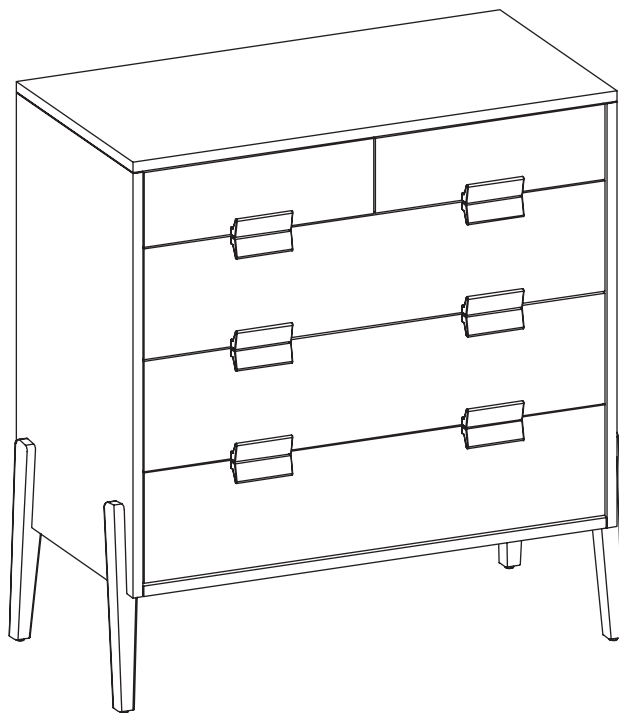


3

! Careful to push the drawer until it closes fully.



4



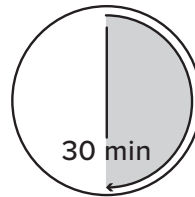


ANTI-TIP RESTRAINT INSTALLATION

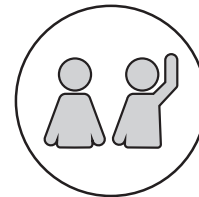
WARNING!

Children have died from furniture tipover.
To reduce the risk of furniture tipover:

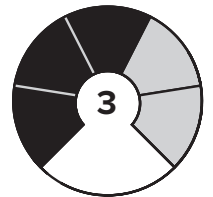
- ALWAYS install tipover restraint provided.
- NEVER put a TV on this product.
- NEVER allow children to stand, climb or hang on drawers, doors, or shelves.
- NEVER open more than one drawer at a time.
- Place heaviest items in the lower drawers.



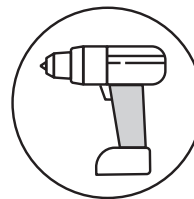
TIME



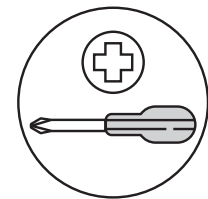
OF PEOPLE





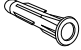
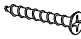

DIFFICULTY



REQUIRED TOOL
8MM / 5/16" DRILL BIT

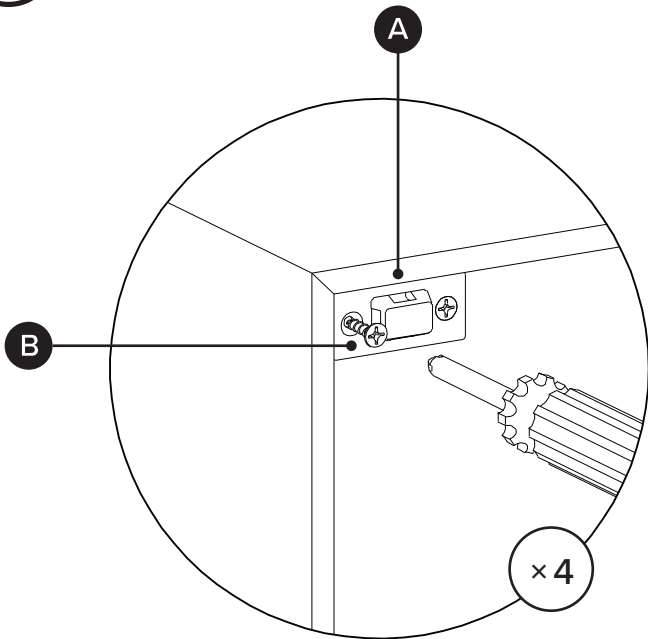


REQUIRED TOOL

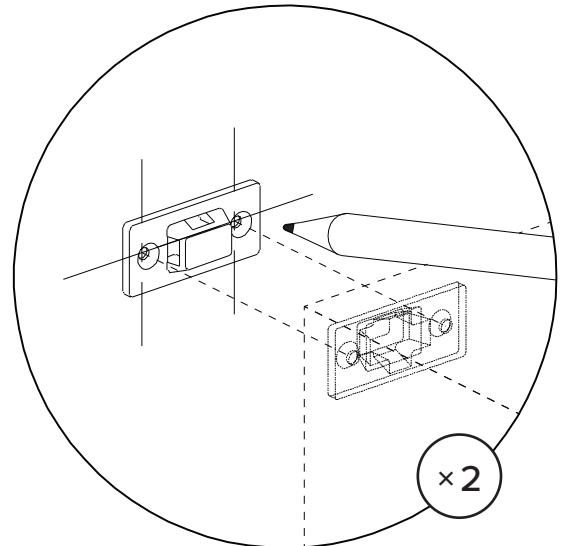
PARTS INVENTORY		
ID	DESCRIPTION	QTY
A	BRACKET 	4
B	M4 × 20MM SCREW 	4
C	M8 × 51MM PLUG 	4
D	M6 × 70MM SCREW 	4
E	STRAP 	2



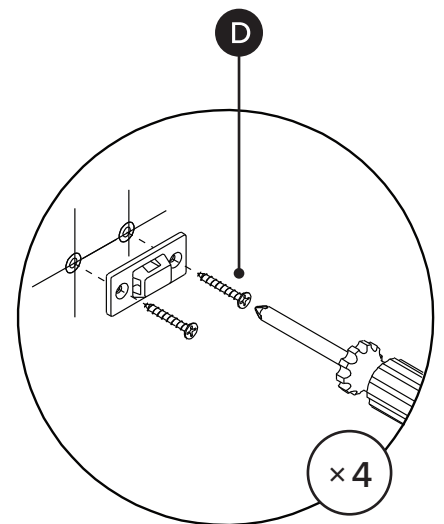
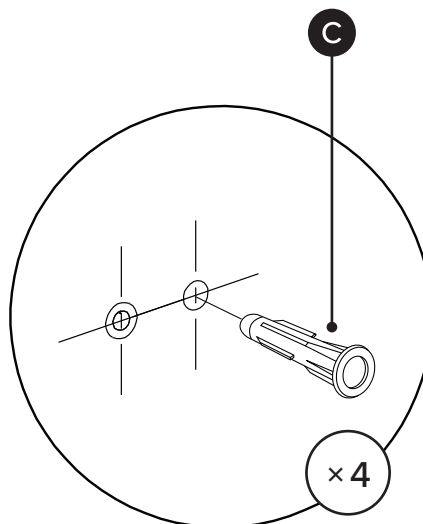
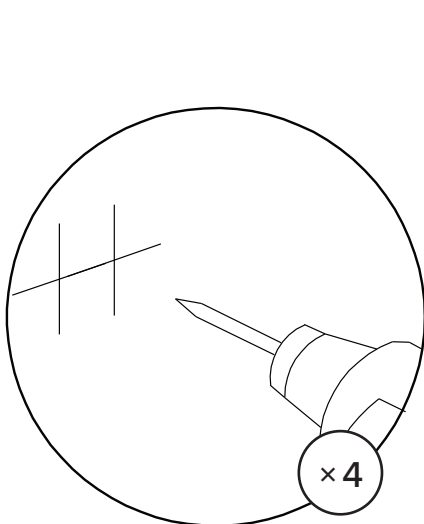
Hardware (C/D) to attach brackets to wall is designed for drywall. To attach this unit to another type of wall, consult with your local hardware store.



Attach pair of brackets to top corners of the back of the unit. Note there are no existing pilot holes on the product.



Mark on wall where second pair of brackets should be placed.



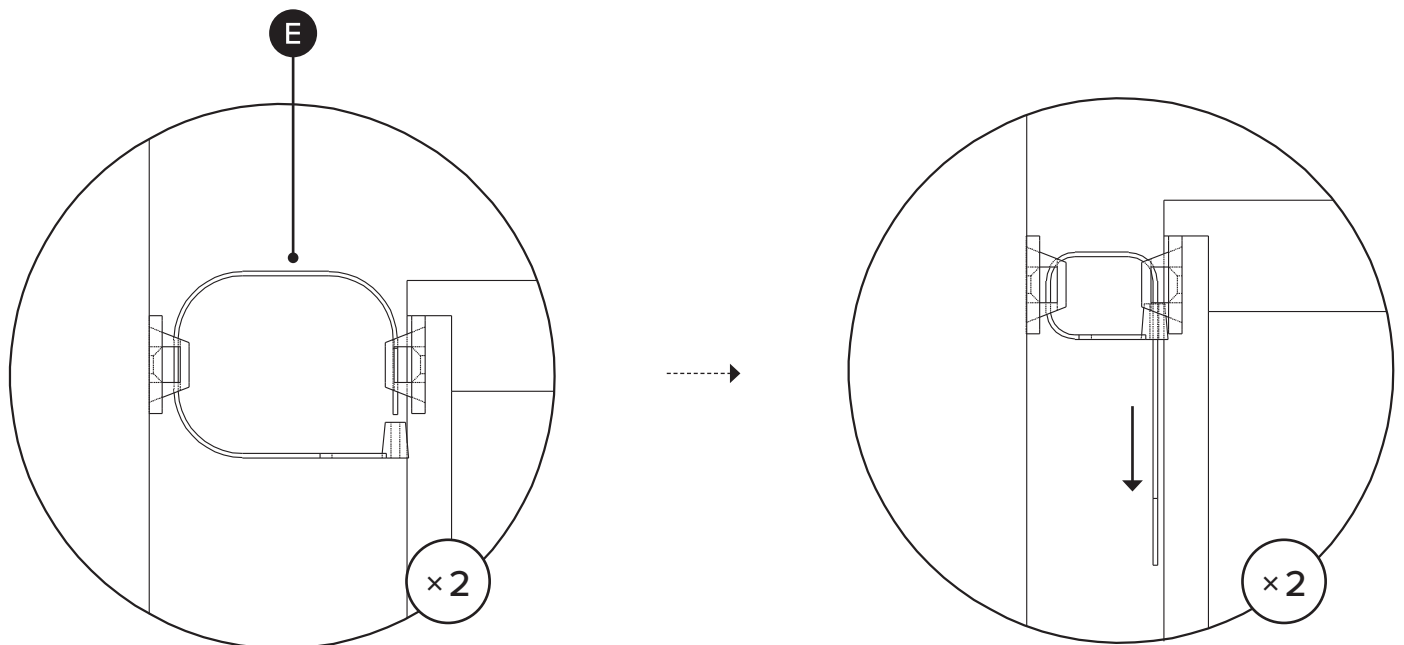
Drill holes in wall using 8mm / 5/16" drill bit.

4A

Align brackets on unit
with brackets on wall.



4B



Pull strap down until it snap-locks.