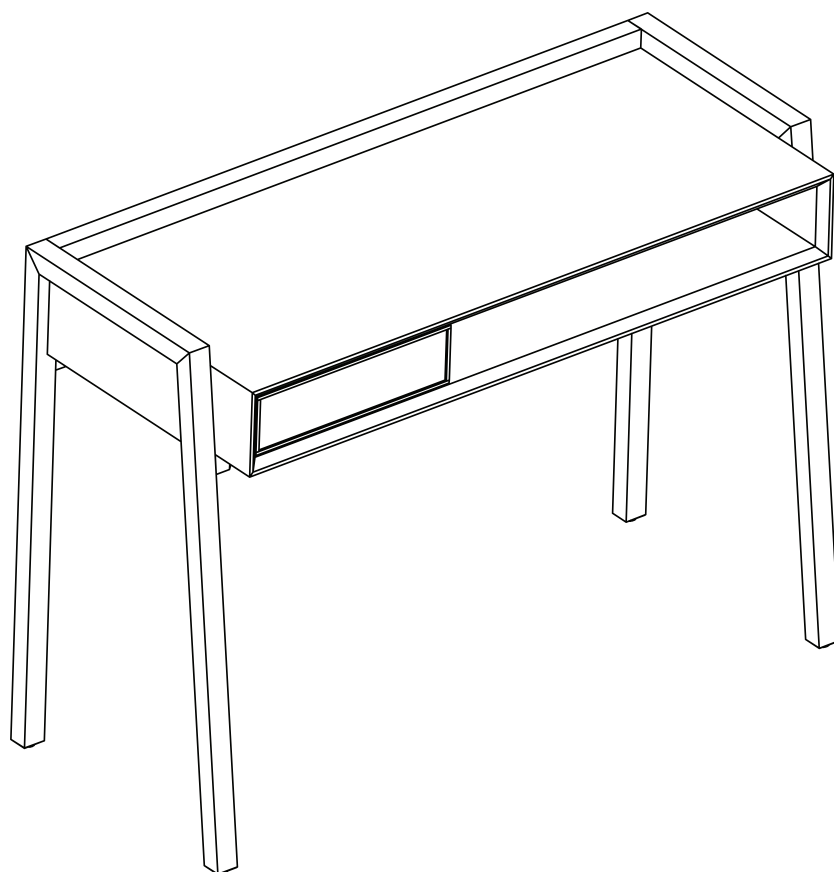


ARTICLE.

VERSION 1.0

Assembly Instructions



FANTOL

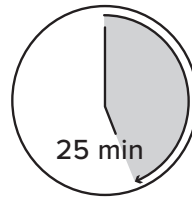
Desk

ASSEMBLY INSTRUCTIONS

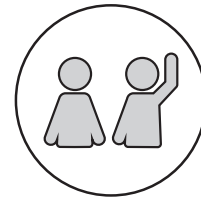
Read these instructions carefully and keep for future reference. Refer to parts inventory for guidance, and ensure you have all pieces before starting.

When assembling, place all parts on a soft, clean, and flat surface such as a carpet to prevent scratches.

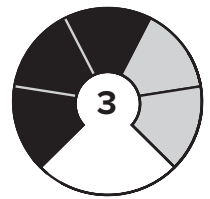
If you're having difficulty, our friendly Customer Care team is always here to help. Call us at **1.888.746.3455** during business hours, email service@article.com or chat live at article.com.





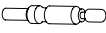

TIME







OF PEOPLE

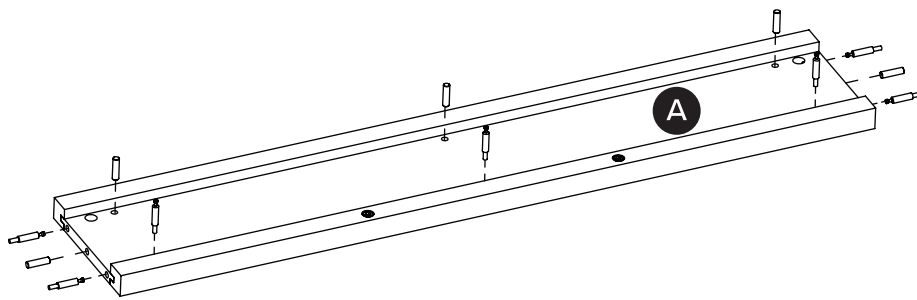
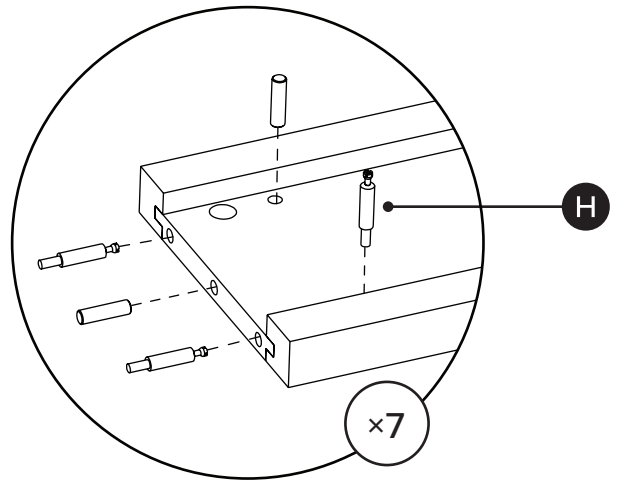
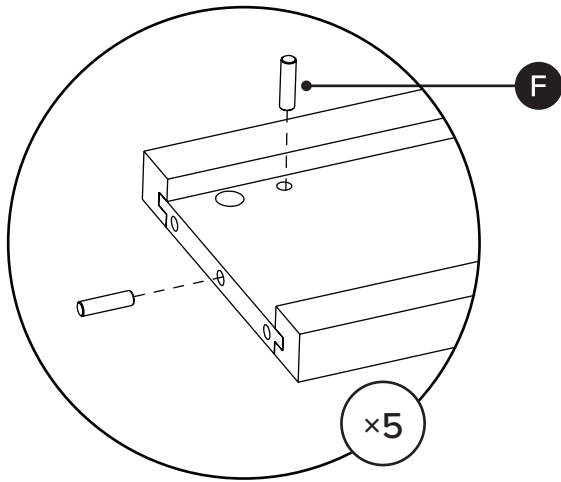


DIFFICULTY

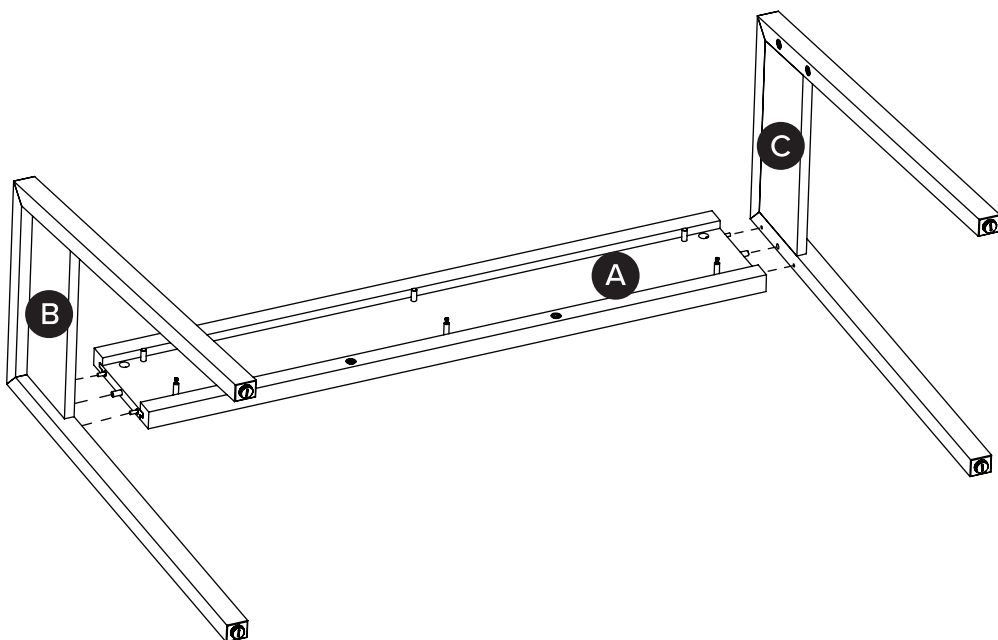
PARTS INVENTORY		
ID	DESCRIPTION	QTY
A	BACK FRAME	1
B	LEFT FEET	1
C	RIGHT FEET	1
D	TABLE TOP	1
E	DRAWER	1
F	WOOD DOWEL 	5
G	ALLEN KEY 	1
H	CONNECTOR 	7
I	CAM LOCK 	7

PARTS INVENTORY CONT.		
ID	DESCRIPTION	QTY
J	M6 × 40MM BOLT 	4
K	M6 × 30MM BOLT 	2
L	LOCK WASHER 	6
M	WASHER 	6

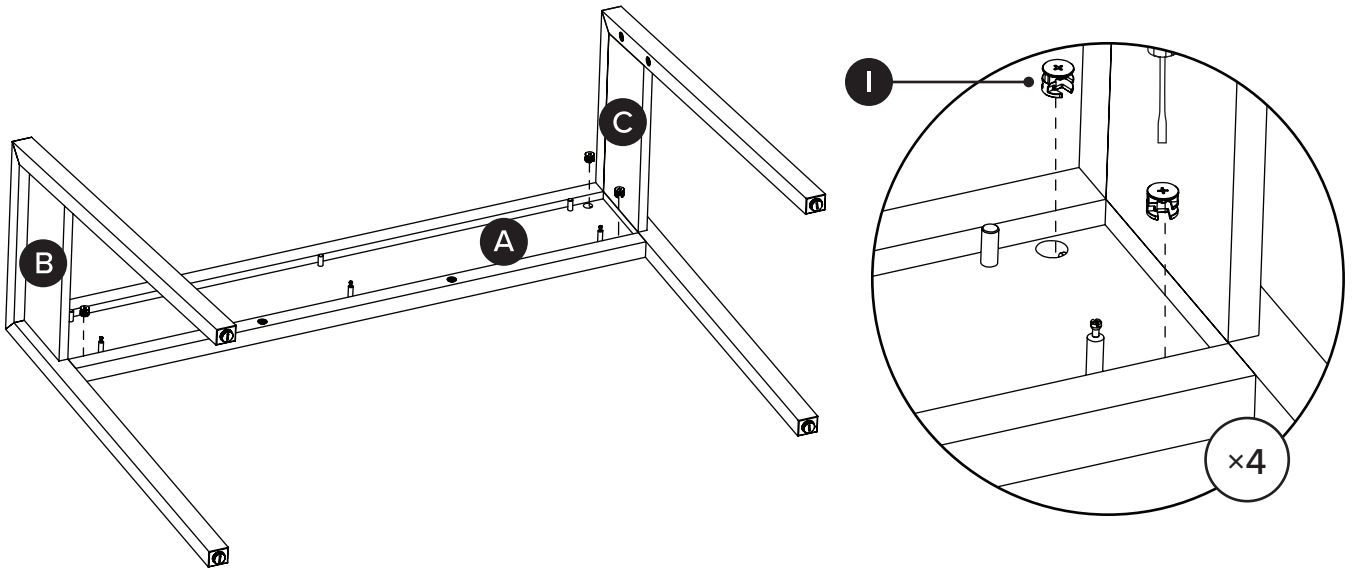
1



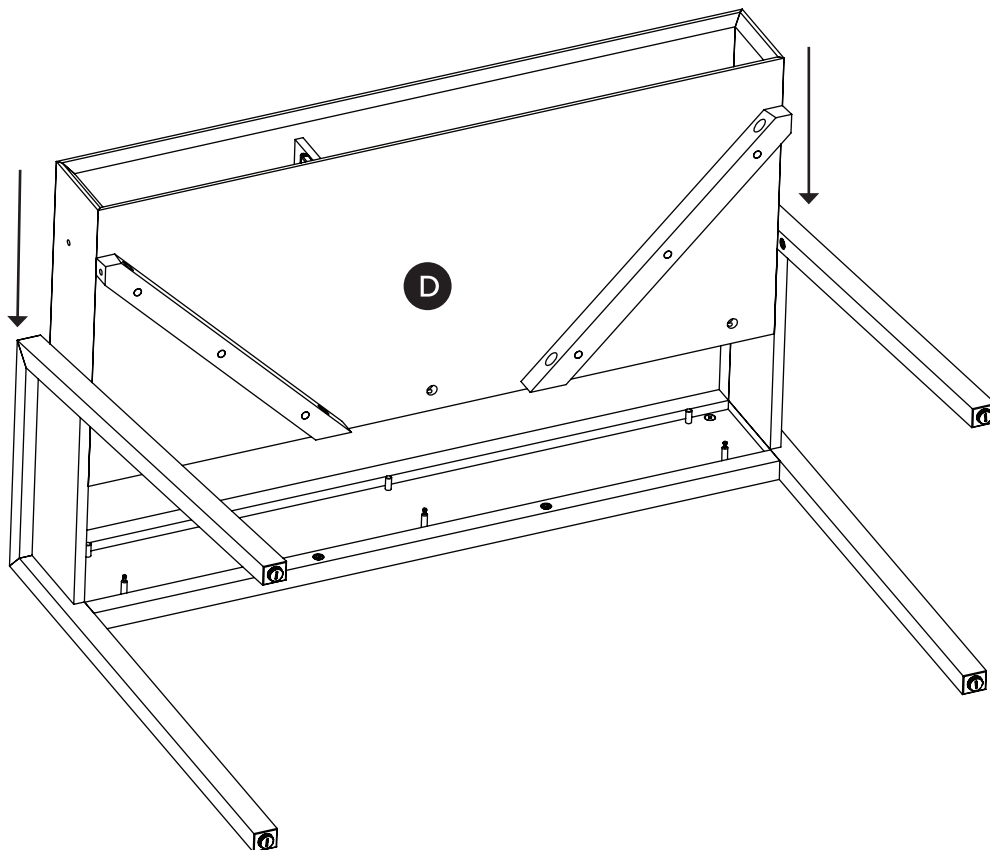
2



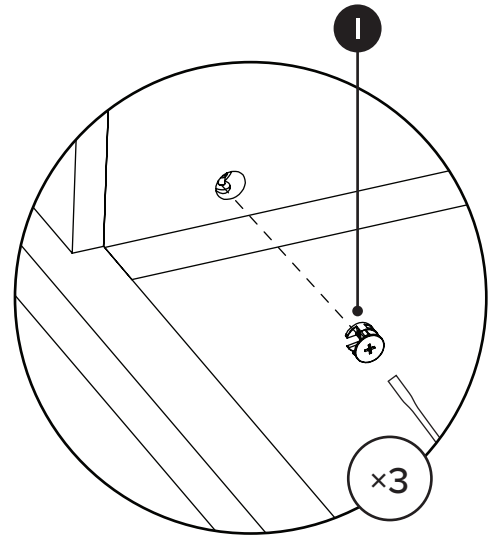
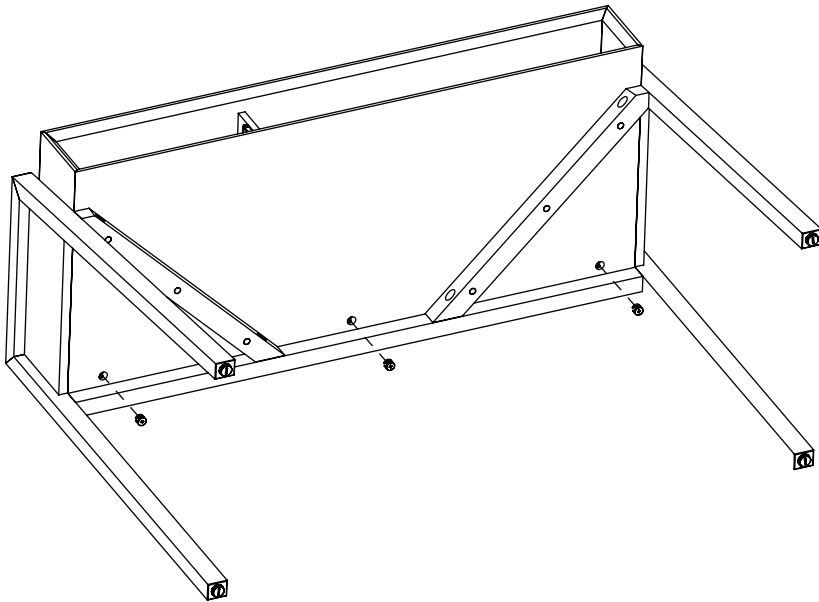
3



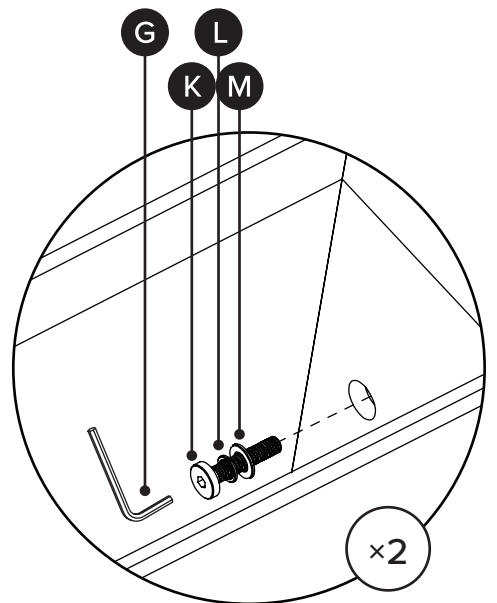
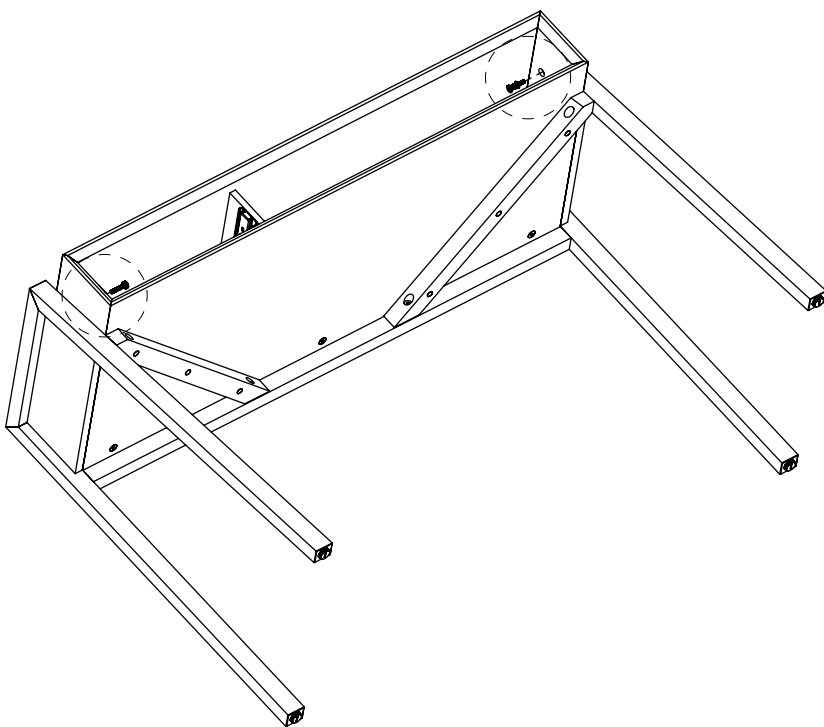
4



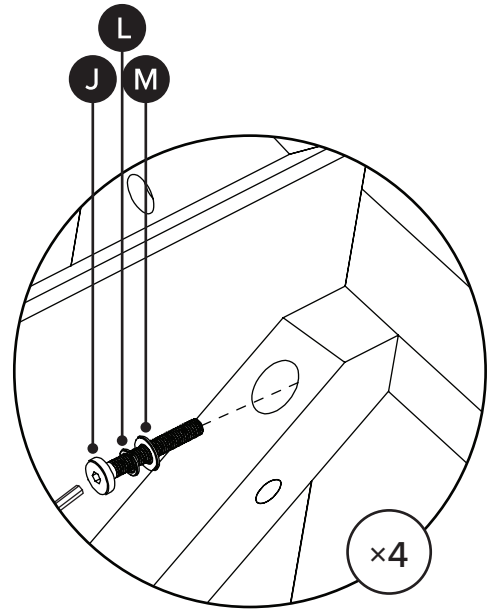
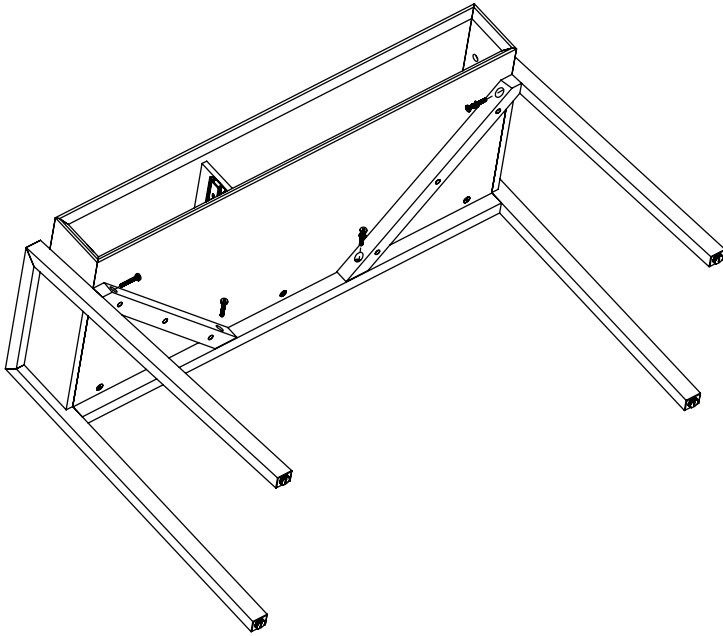
5



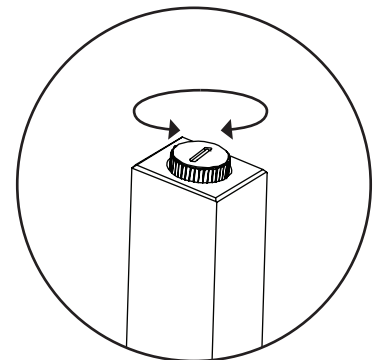
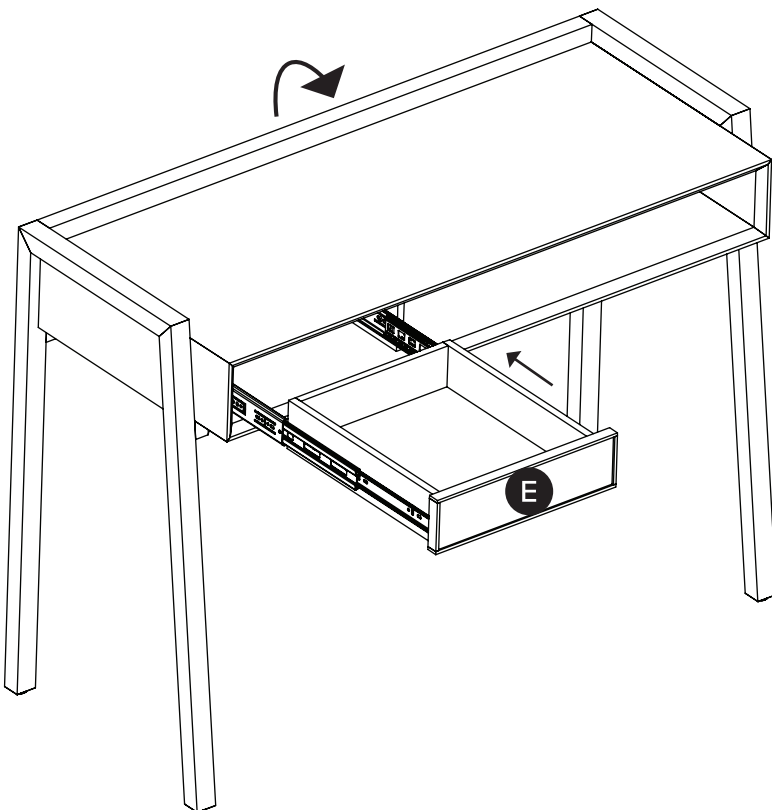
6



5



6



! Adjust levelers as needed.