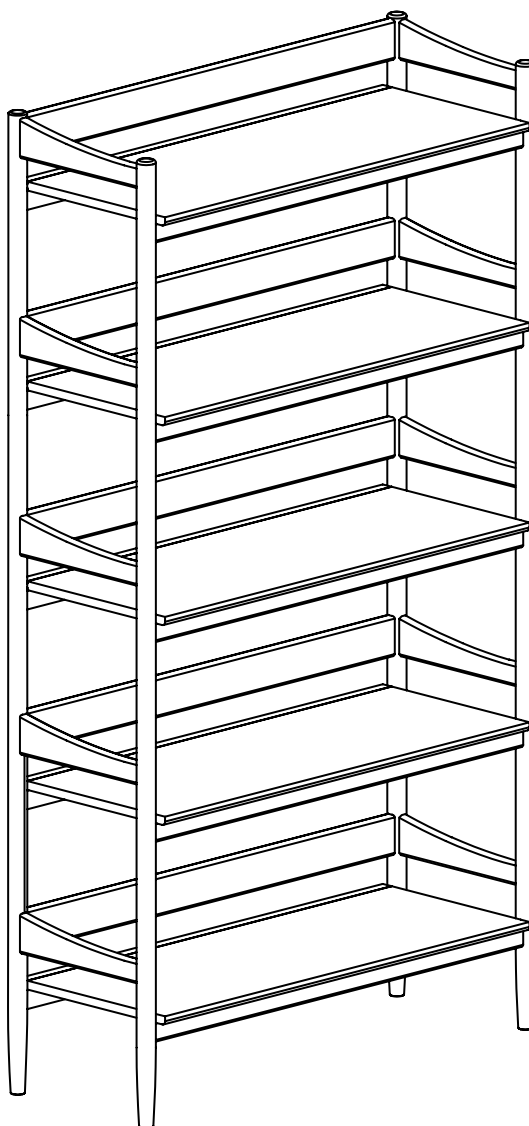


ARTICLE.

VERSION 1.0

Assembly Instructions



COTU

Bookcase



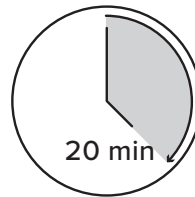
ANTI-TIP RESTRAINT INSTALLATION

WARNING!

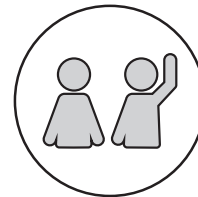
Serious or fatal crushing injuries can occur from furniture tip-over. To help prevent tip-over:

- Install tip-over restraint provided.
- Do not set heavy objects on top of this product, unless the product is specifically designed to accommodate them.
- Never allow children to climb or hang on mirrors, shelves, consoles, or cabinets with doors and/or drawers.

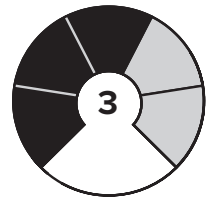
Use of tip-over restraints may only reduce but not eliminate, the risk of tip-over.



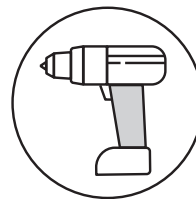
TIME



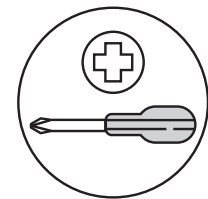
OF PEOPLE





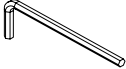

DIFFICULTY



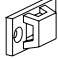
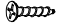
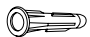


REQUIRED TOOL



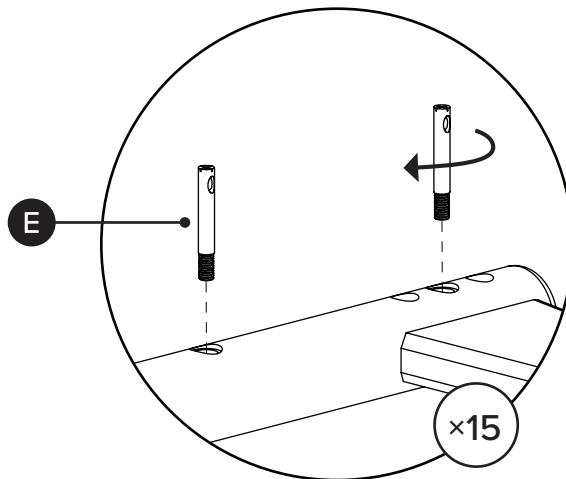
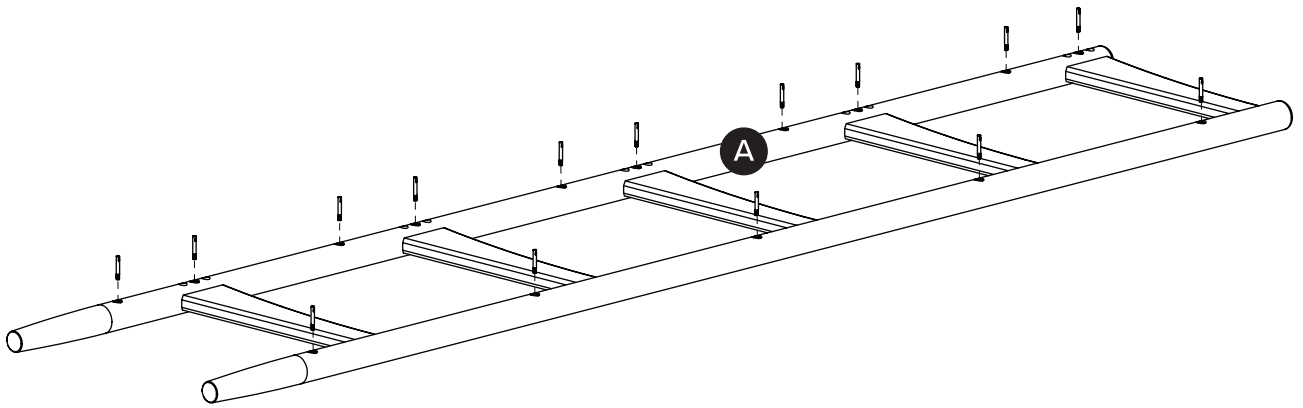
REQUIRED TOOL

PARTS INVENTORY		
ID	DESCRIPTION	QTY
A	LEG FRAME LEFT	1
B	LEG FRAME RIGHT	1
C	SHELF FRAME	5
D	REAR SUPPORT BAR	5
E	ANCHOR 	30
F	LOCK NUT 	30
G	ALLEN KEY 	1
H	SCREW 	30

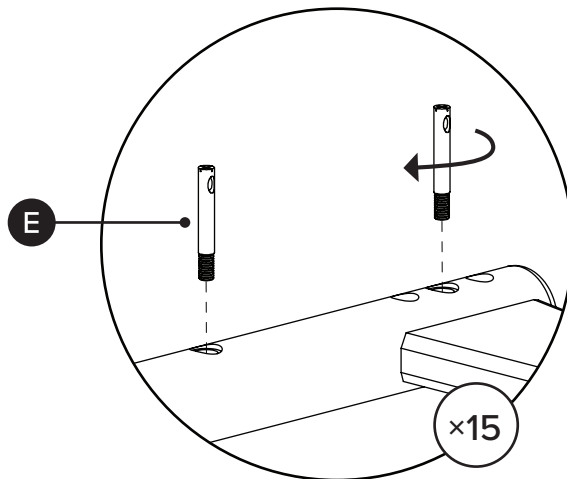
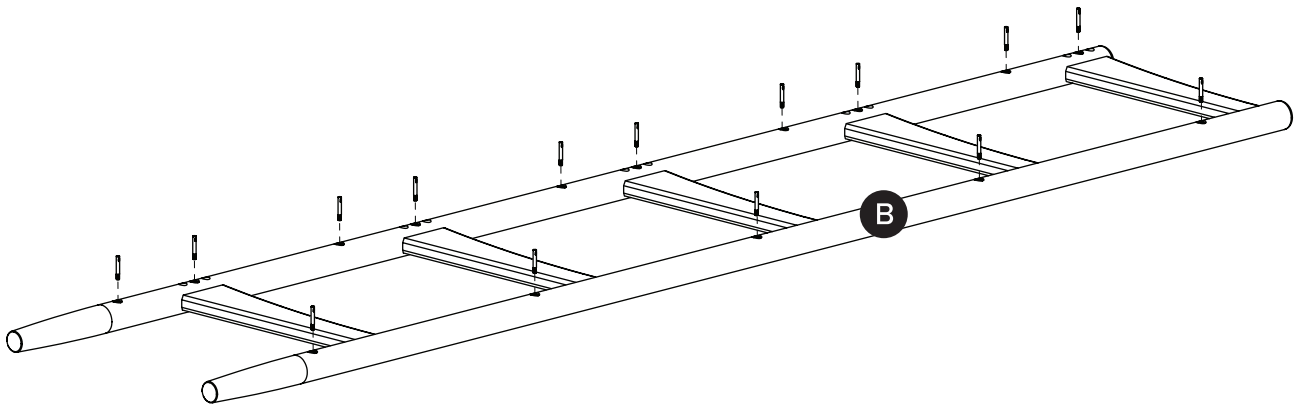
Hardware (K/L) to attach brackets to wall is designed for drywall. To attach this unit to another type of wall, consult with your local hardware store.

PARTS INVENTORY CONT.		
ID	DESCRIPTION	QTY
I	BRACKET 	4
J	M4 × 20MM SCREW 	4
K	M8 × 51MM PLUG 	4
L	M6 × 70MM SCREW 	4
M	STRAP 	2

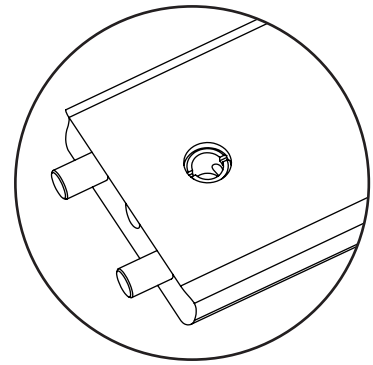
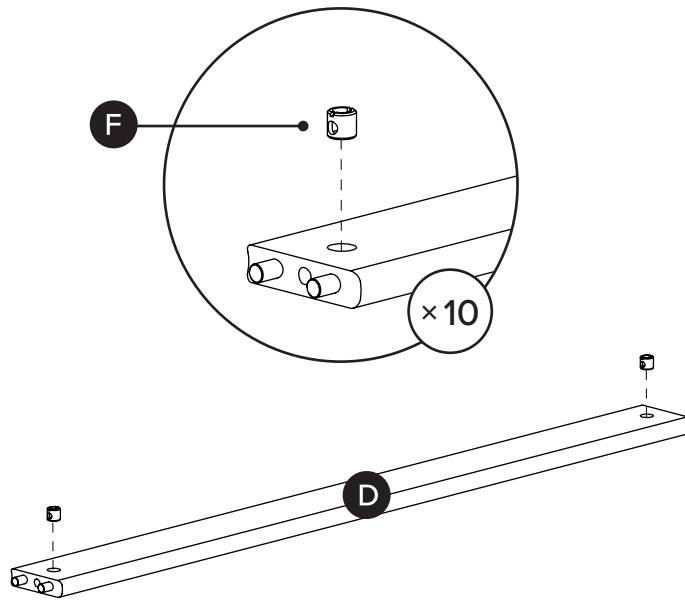
1



2

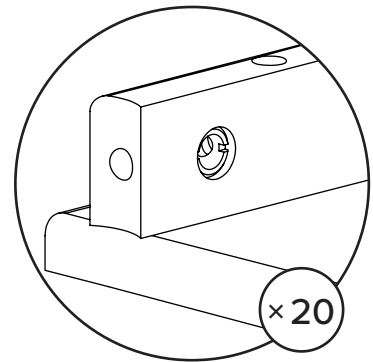
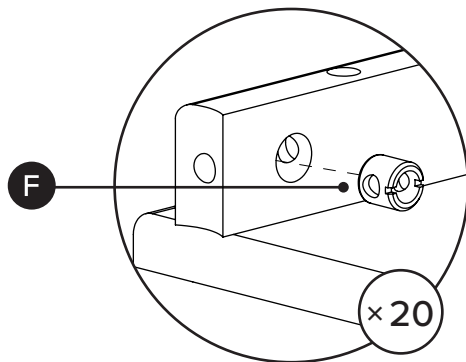


3

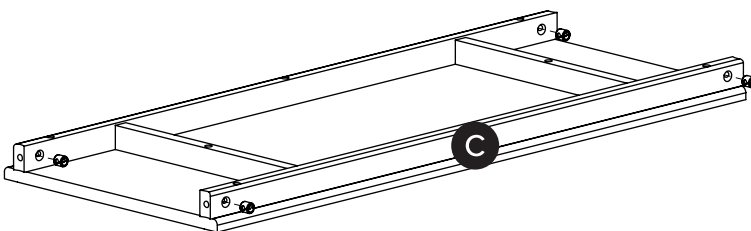


! Lines on lock nuts (F) must be parallel with the length of the rear support bar (D).

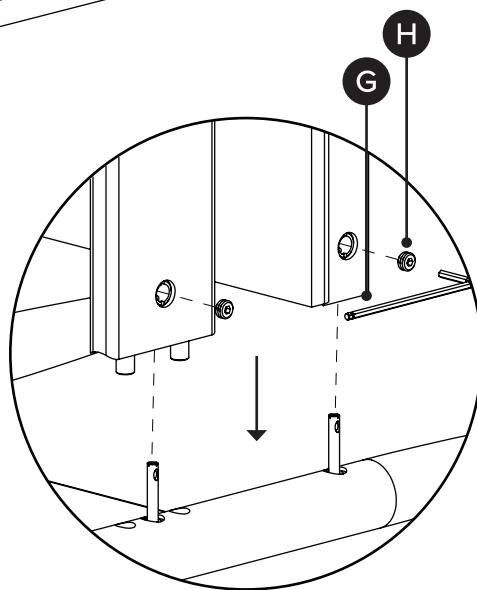
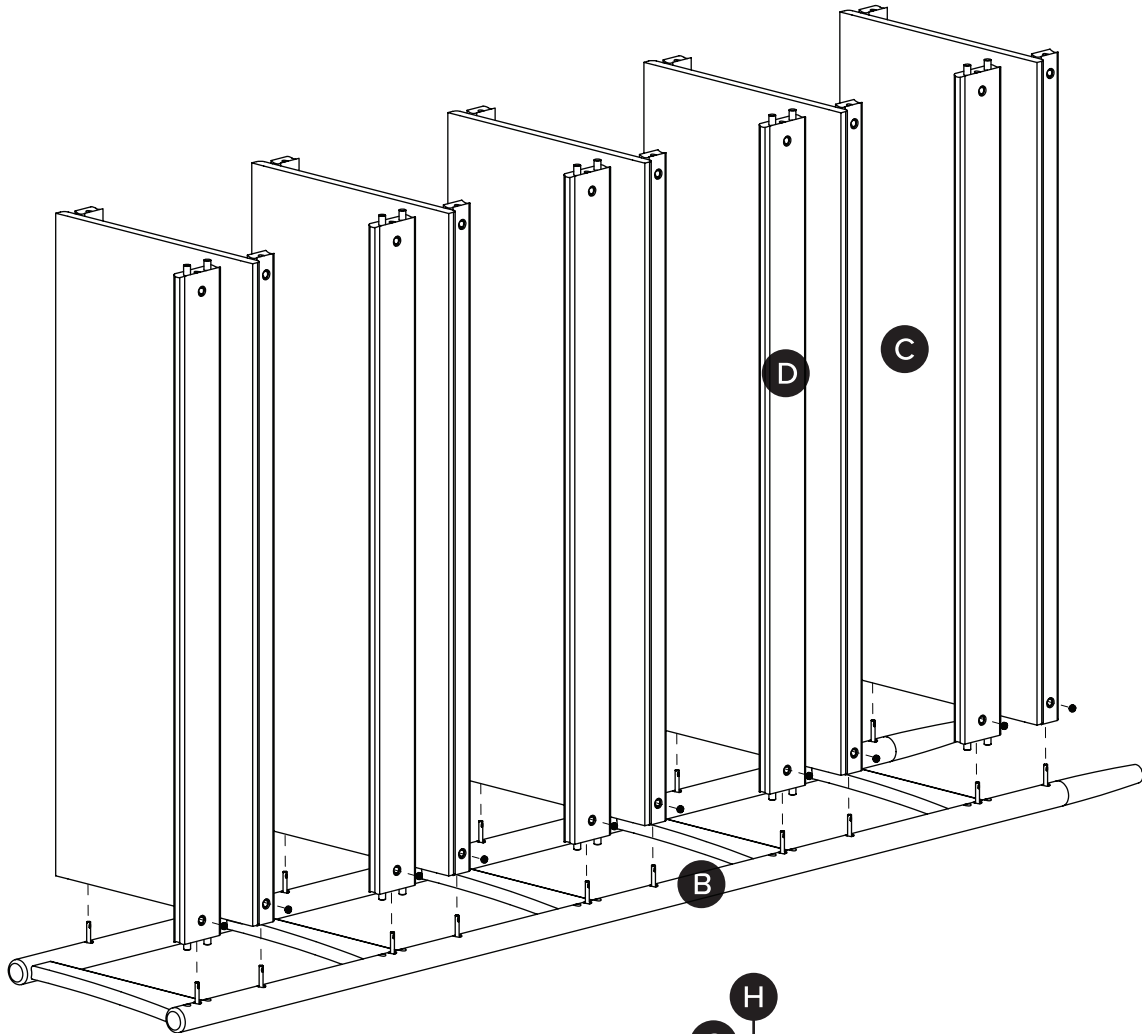
4



! Lines on lock nuts (F) must be parallel with the length of the shelf frame (C).

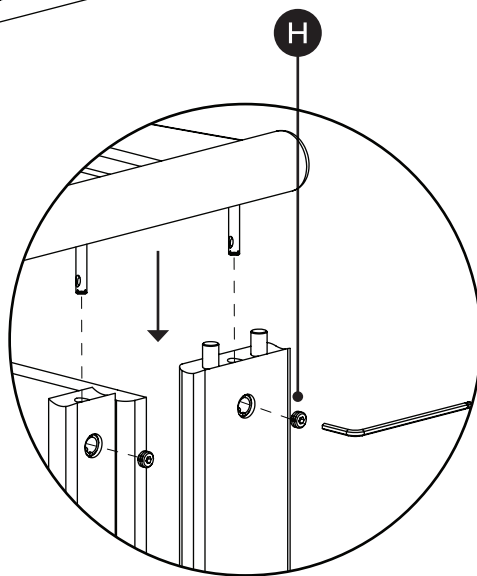
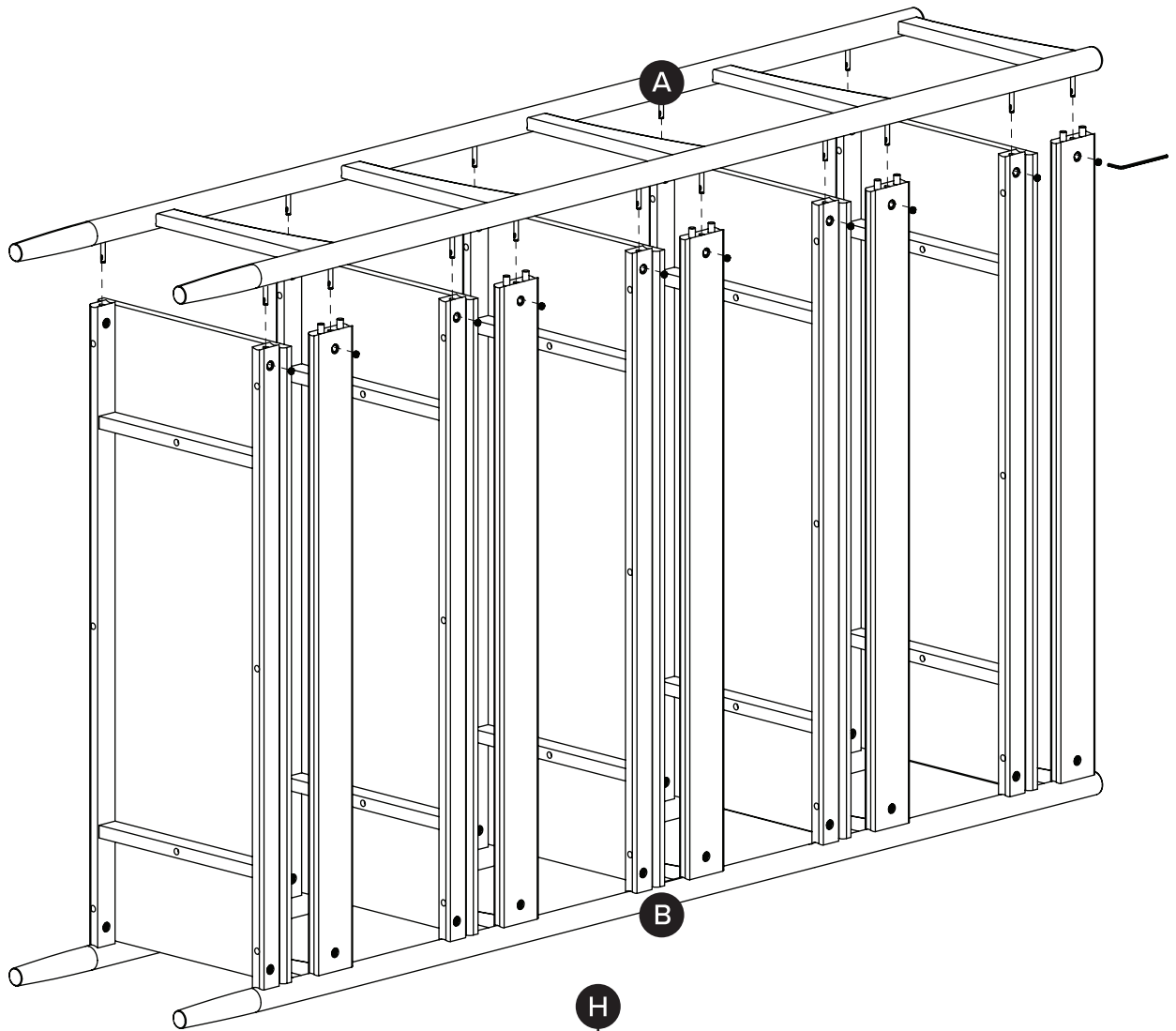


5



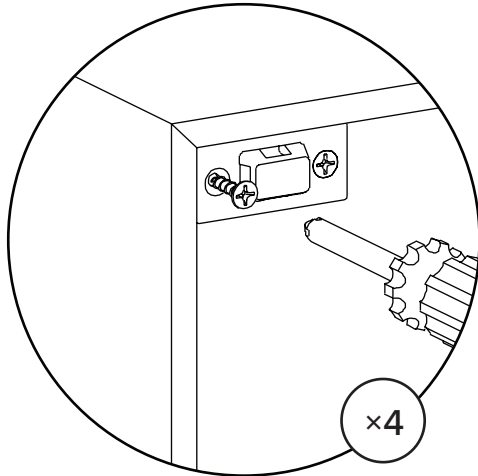
! Note holes in anchors are parallel with the legs as shown.

6

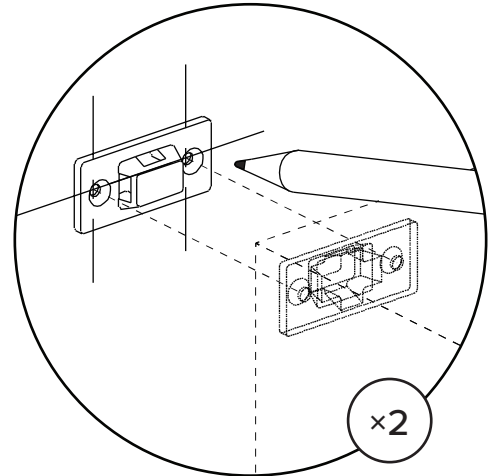


! Note holes in anchors are parallel with the legs as shown.

7



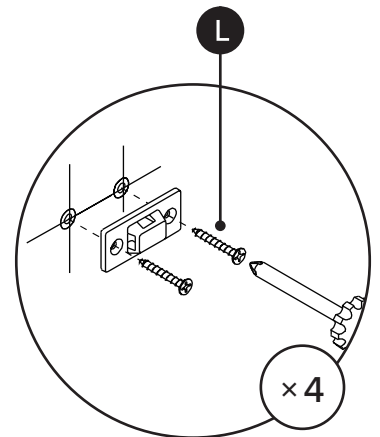
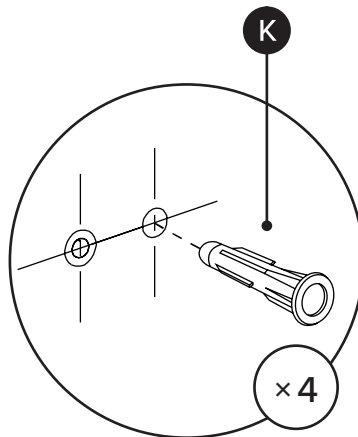
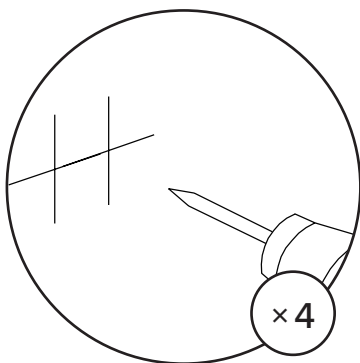
Attach pair of brackets to top corners of the back of the unit.



Mark on wall where second pair of brackets should be placed.

8

Drill holes into drywall, in wall using 8mm 5/16" drill bit.



9

