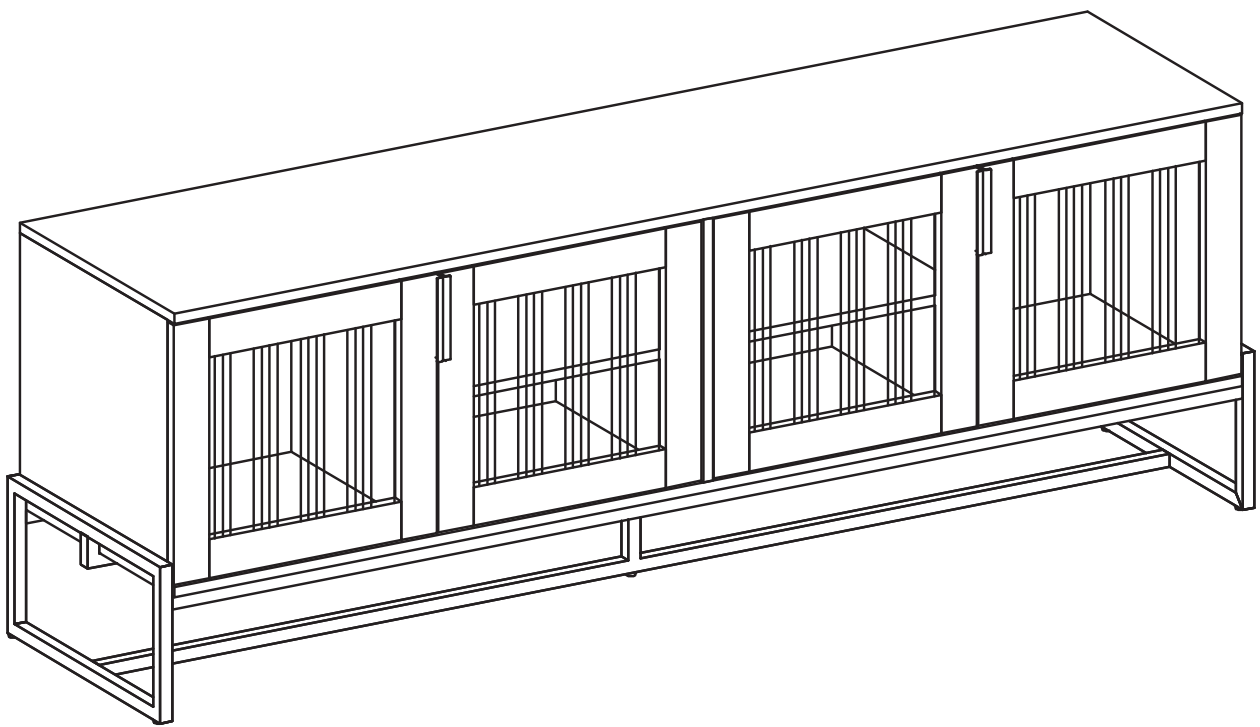


# ARTICLE.

VERSION 1.3

## Assembly Instructions



# OSCURO

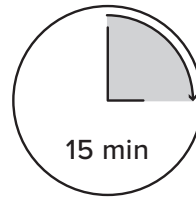
73" Cabinet

## ASSEMBLY INSTRUCTIONS

Read these instructions carefully and keep for future reference. Refer to parts inventory for guidance, and ensure you have all pieces before starting.

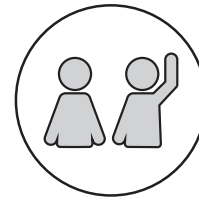
When assembling, place all parts on a soft, clean, and flat surface such as a carpet to prevent scratches.

If you're having difficulty, our friendly Customer Care team is always here to help. Call us at **1.888.746.3455** during business hours, email [service@article.com](mailto:service@article.com) or chat live at [article.com](https://www.article.com).

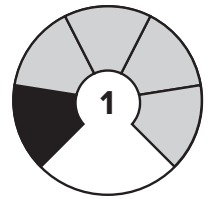


15 min

TIME



# OF PEOPLE




DIFFICULTY



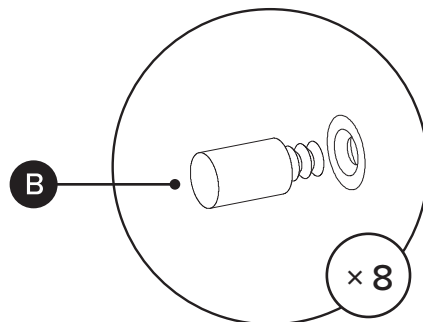
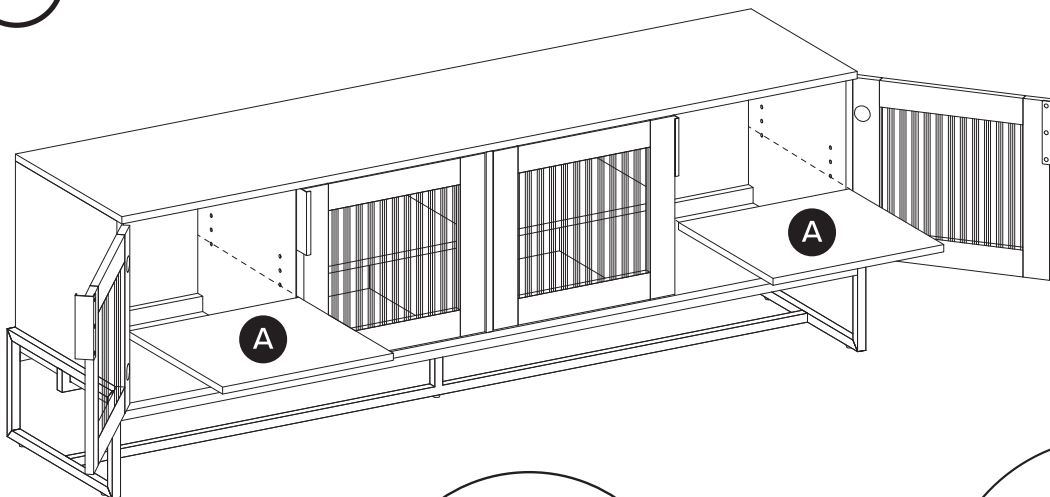
ANTI-TIP

Installation Required

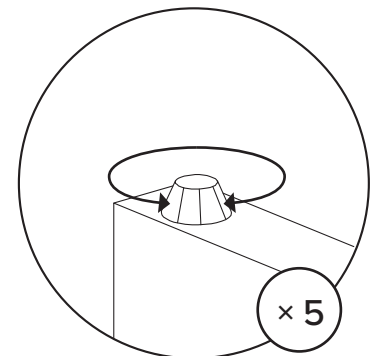
PARTS INVENTORY		
ID	DESCRIPTION	QTY
A	SHELF	2
B	SHELF PIN (PRE-INSTALLED) 	8

**!** NOTE : All bolts should remain fully tightened every 3 months to ensure stability.

### 1



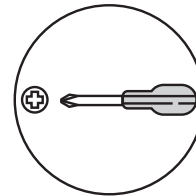
**!** Adjust shelf pins (B) to desired height.



**!** Adjust levelers on leg frame as needed.

## DOOR ADJUSTMENT INSTRUCTIONS

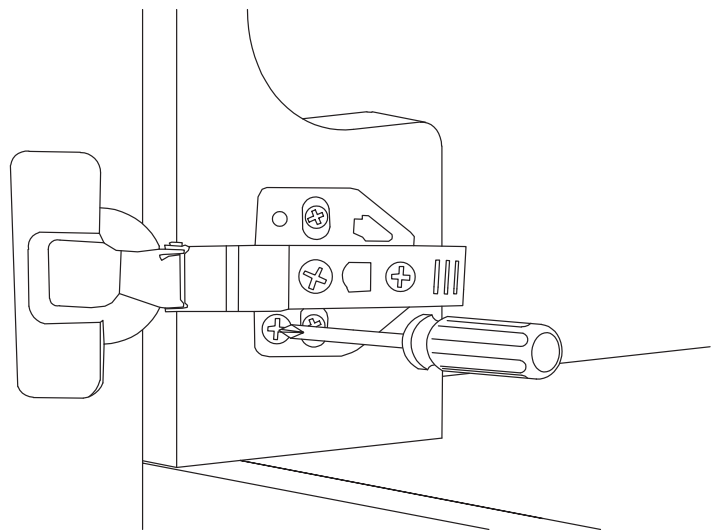
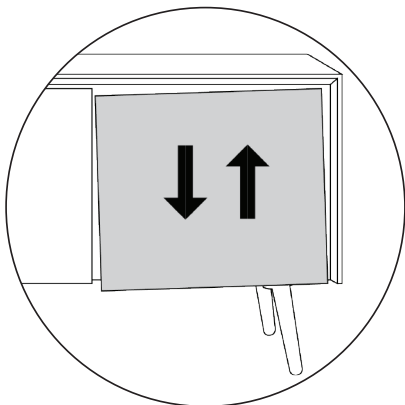
**!** During shipping, the doors of your cabinet may have shifted slightly. This can easily be corrected by tightening a few screws. Always start by adjusting the top hinge on the affected door.



REQUIRED TOOL

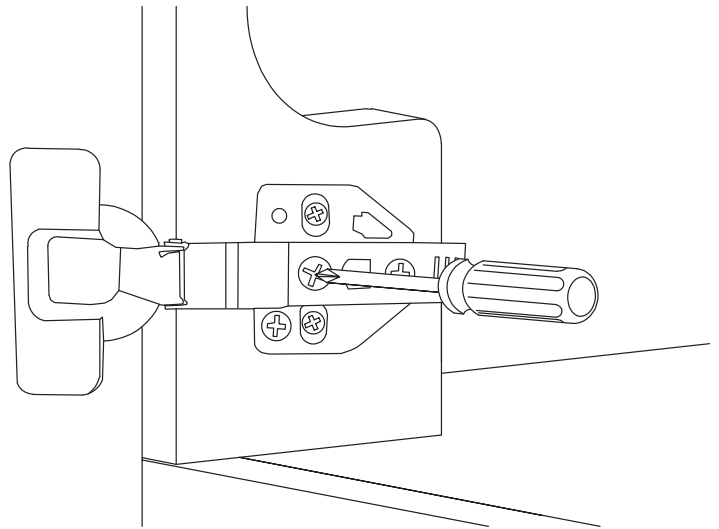
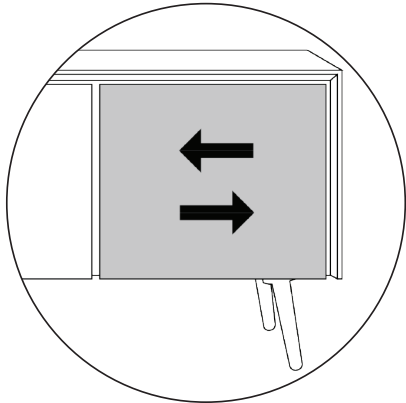
### 2A

If the door is crooked, adjust hinge(s) up or down:



2B

If the door needs adjustment side to side:



2C

If the door needs adjustment forward or backward:

