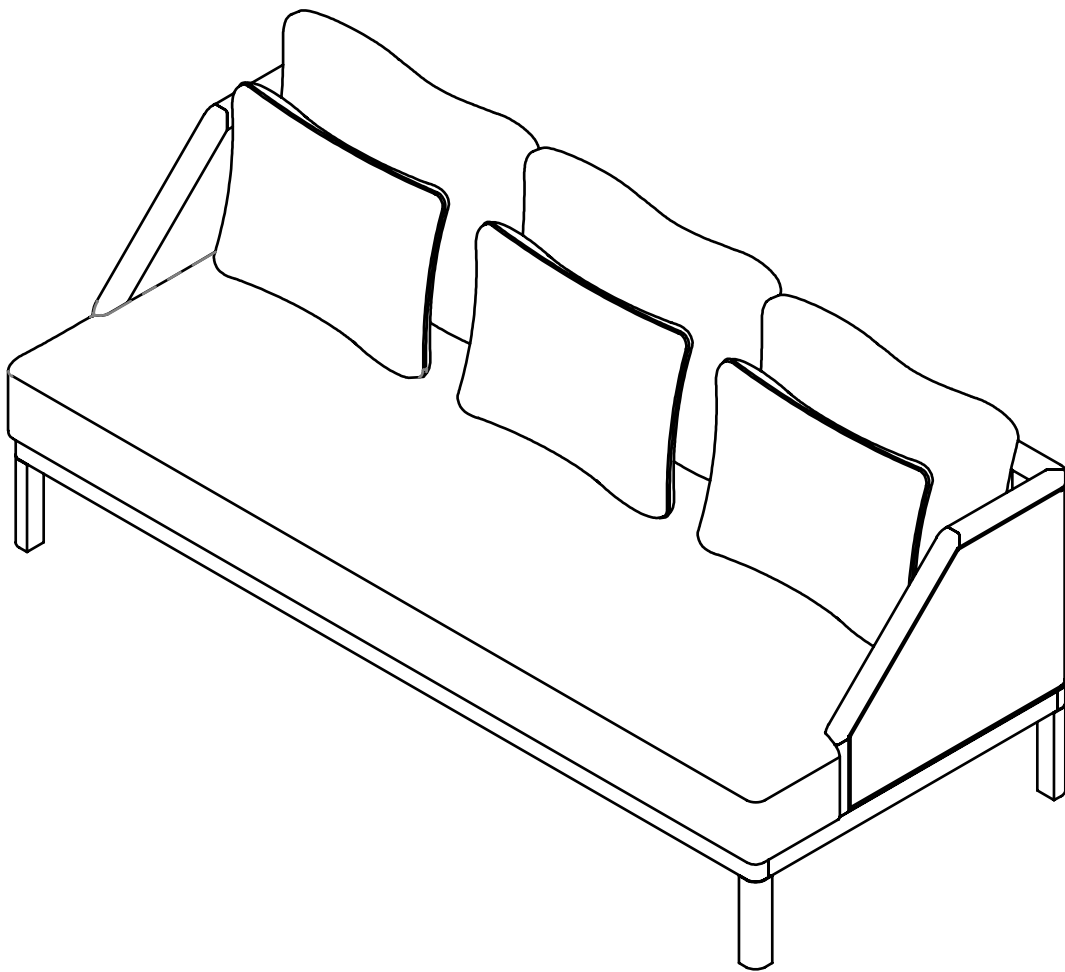


ARTICLE.

VERSION 1.0

Assembly Instructions



CANDRA

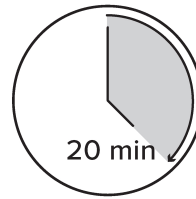
Sofa

ASSEMBLY INSTRUCTIONS

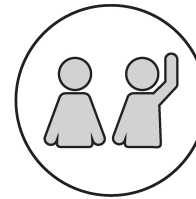
Read these instructions carefully and keep for future reference. Refer to parts inventory for guidance, and ensure you have all pieces before starting.

When assembling, place all parts on a soft, clean, and flat surface such as a carpet to prevent scratches.

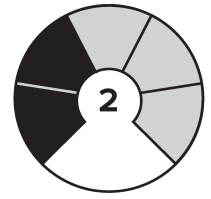
If you're having difficulty, our friendly Customer Care team is always here to help. Call us at **1.888.746.3455** during business hours, email service@article.com or chat live at [article.com](https://www.article.com).



TIME

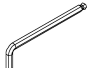
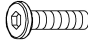




OF PEOPLE



DIFFICULTY

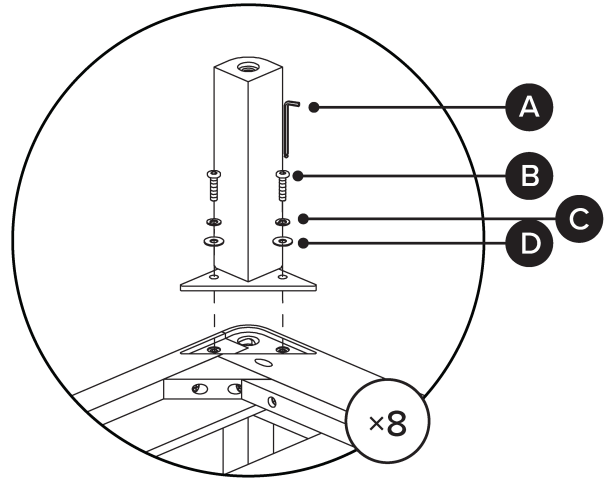
PARTS INVENTORY		
ID	DESCRIPTION	QTY
1	FRAME	1
2	RIGHT ARM FACING LEG	2
3	LEFT ARM FACING LEG	2
4	MIDDLE LEG	1
5	SEAT CUSHION	1
6	BACK CUSHION	3
7	SMALL BACK CUSHION	3

PARTS INVENTORY CONT.		
ID	DESCRIPTION	QTY
A	ALLEN KEY 	1
B	M6 × 25MM BOLT 	8
C	M6 LOCK WASHER 	8
D	M6 WASHER 	8

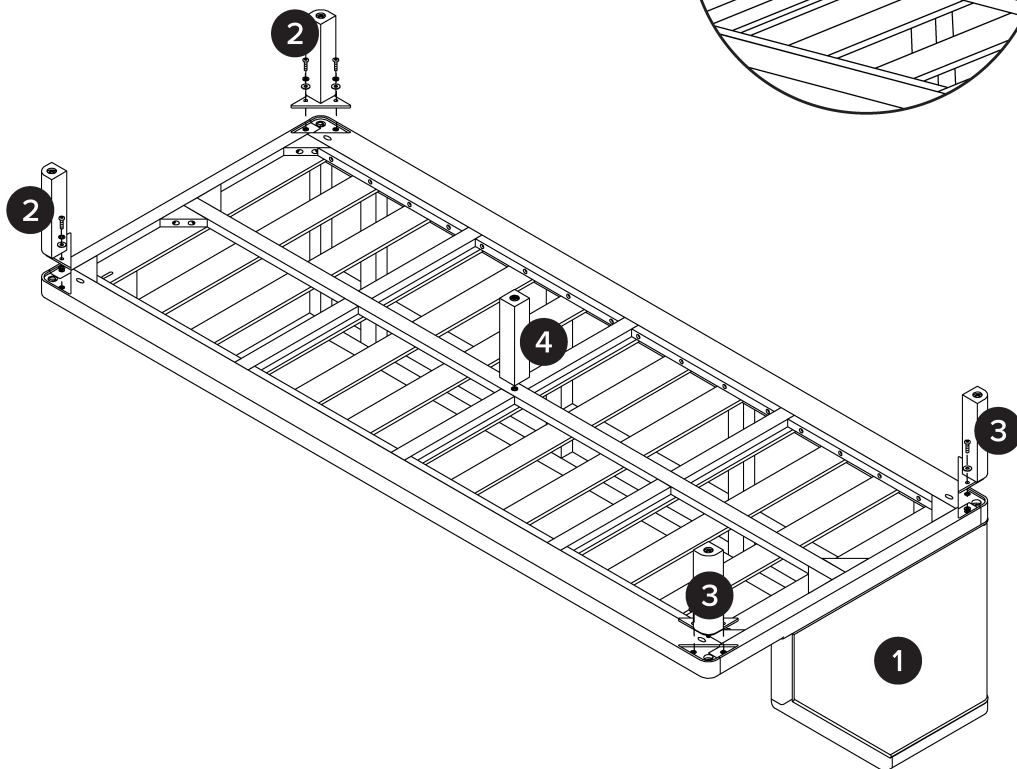
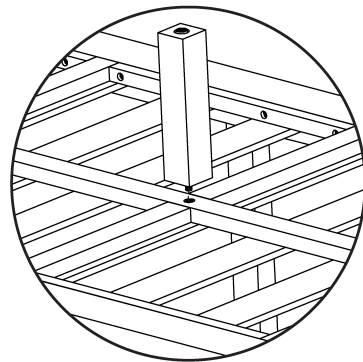
1



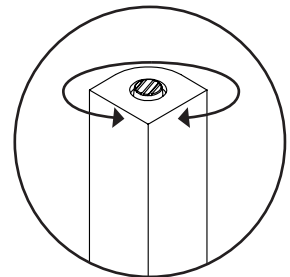
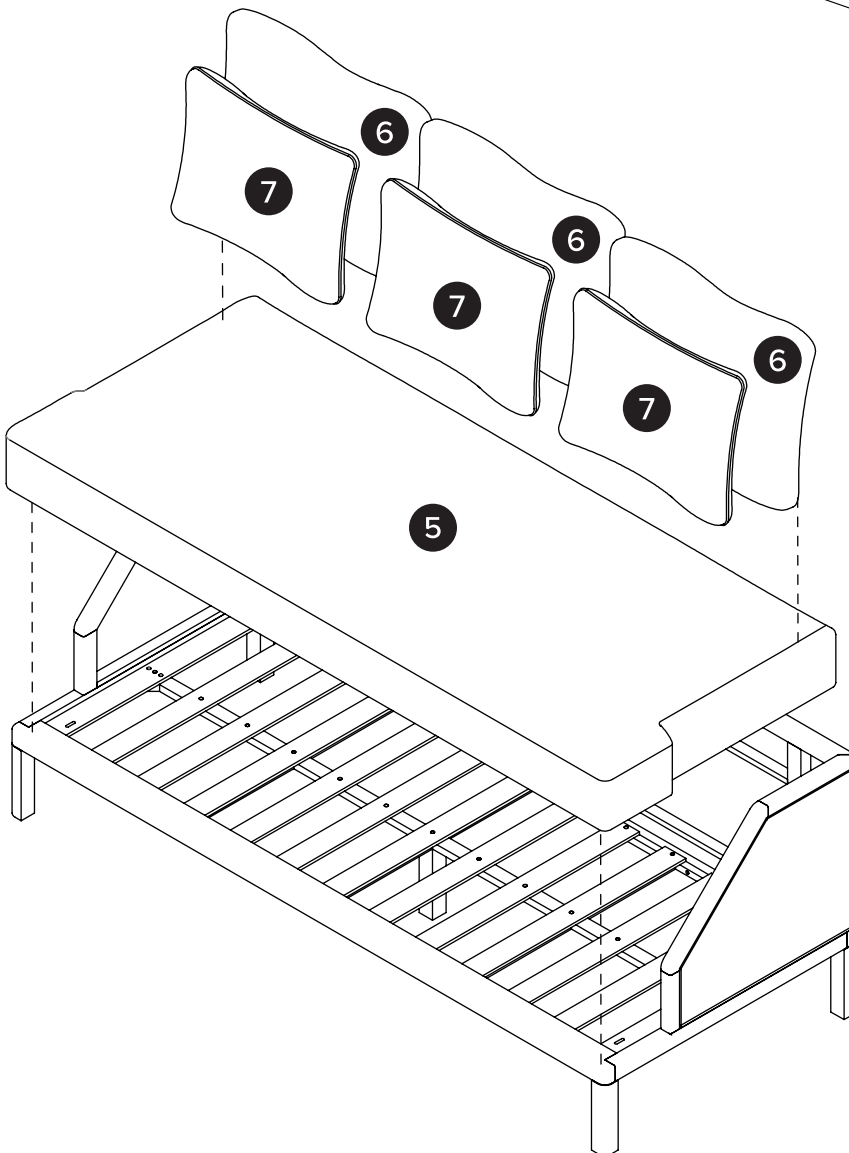
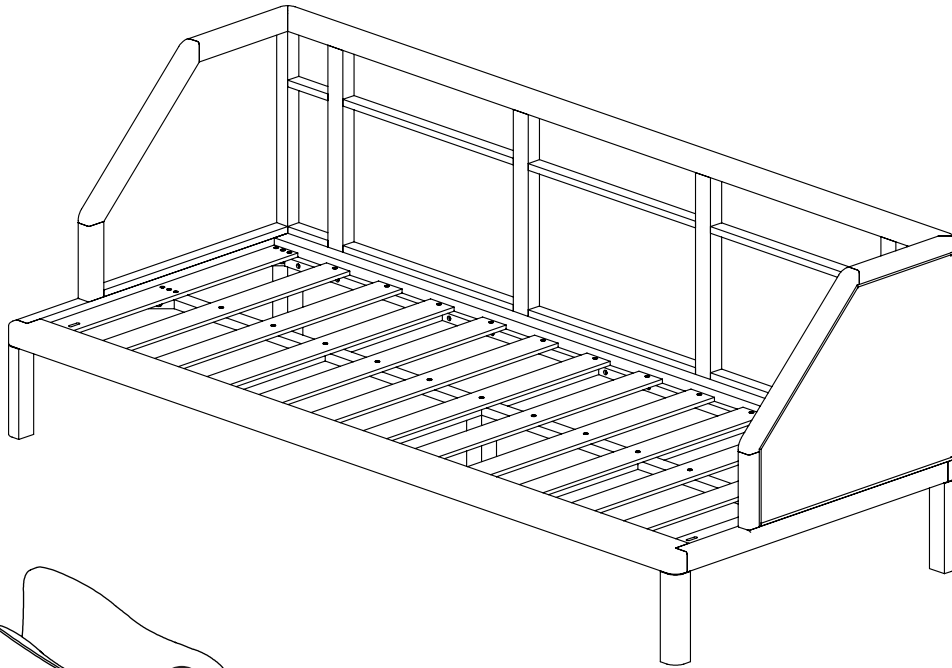
! Do not fully tighten bolts. Ensure all 4 legs are tightened by 85%.



! Once all bolts are in place, fully tighten.



2



! Adjust levelers as needed.