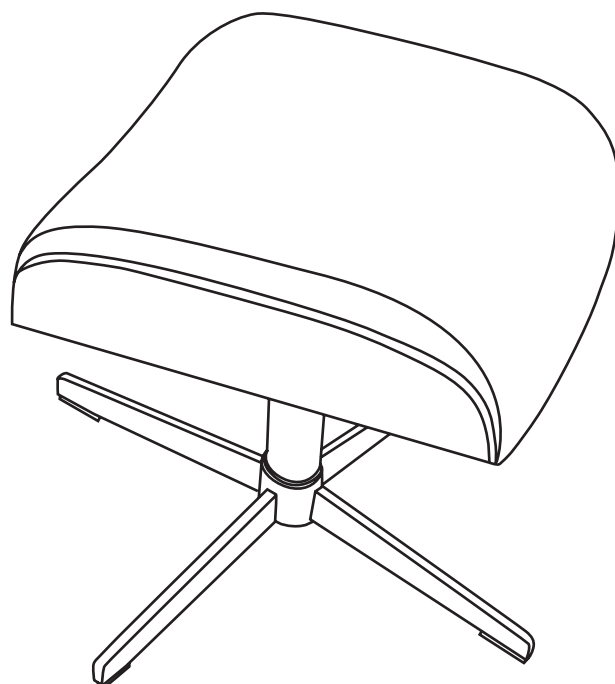


# ARTICLE.

VERSION 1.0

## Assembly Instructions



# MEKLEN

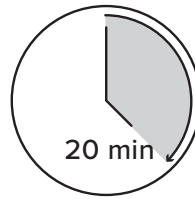
Ottoman

### ASSEMBLY INSTRUCTIONS

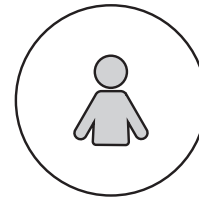
Read these instructions carefully and keep for future reference. Refer to parts inventory for guidance, and ensure you have all pieces before starting.

When assembling, place all parts on a soft, clean, and flat surface such as a carpet to prevent scratches.

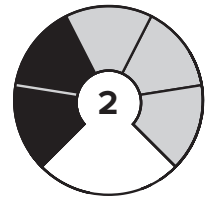
If you're having difficulty, our friendly Customer Care team is always here to help. Call us at **1.888.746.3455** during business hours, email [service@article.com](mailto:service@article.com) or chat live at [article.com](http://article.com).







TIME



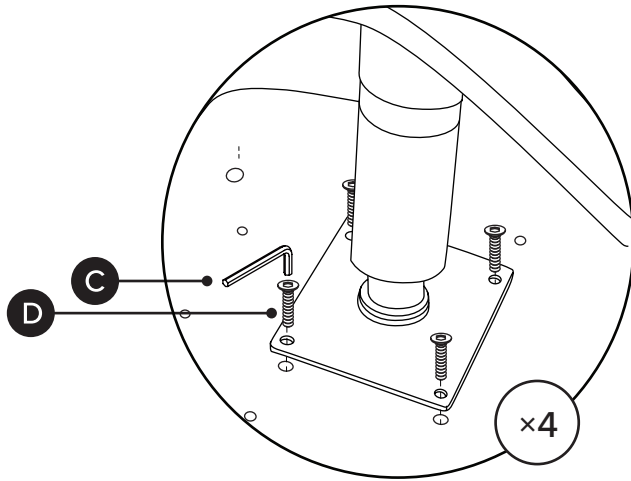
# OF PEOPLE



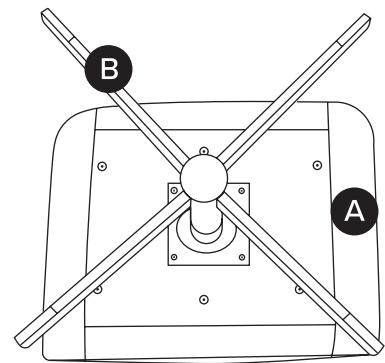
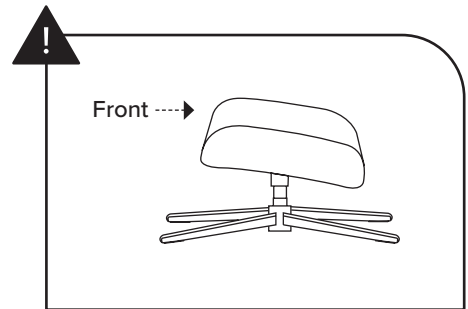
DIFFICULTY

PARTS INVENTORY			
ID	DESCRIPTION		QTY
A	FOOTREST CUSHION		1
B	TURNTABLE BASIC		1
C	ALLEN KEY		1
D	SCREW BOLT		4

1



Put the turnable basic (B) at the bottom of footrest cushion (A) with aligning the holes. Attach the footrest cushion (A) and turnable basic (B) with screw bolts (D) and tighten.



2

