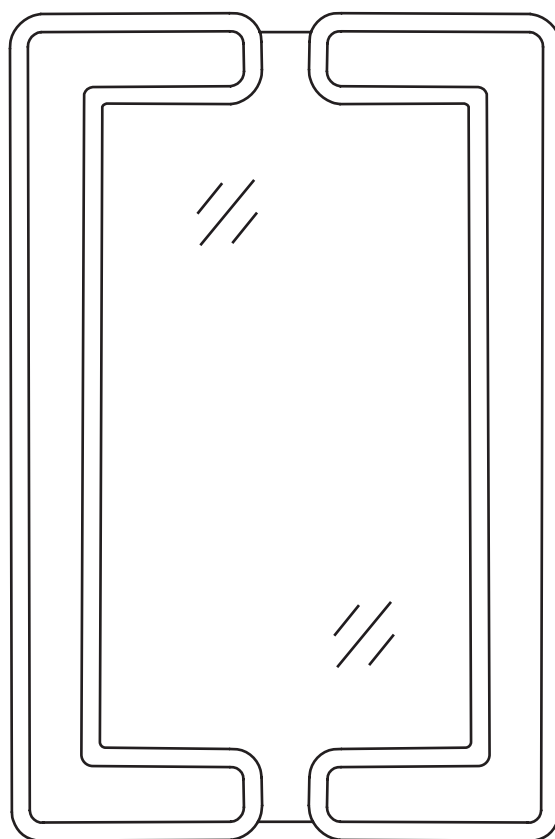


ARTICLE.

VERSION 1.0

Assembly Instructions



SIERRA

Wall Mirror



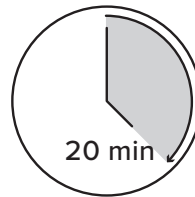
ANTI-TIP RESTRAINT INSTALLATION

WARNING!

Serious or fatal crushing injuries can occur from furniture tip-over. To help prevent tip-over:

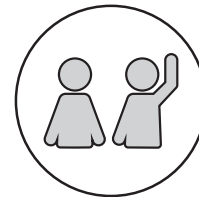
- Install tip-over restraint provided.
- Do not set heavy objects on top of this product, unless the product is specifically designed to accommodate them.
- Never allow children to climb or hang on mirrors, shelves, consoles, or cabinets with doors and/or drawers.

Use of tip-over restraints may only reduce but not eliminate, the risk of tip-over.

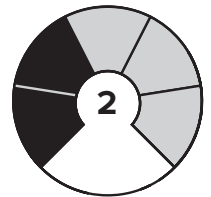


20 min

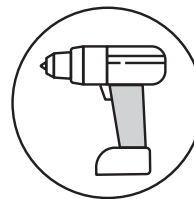
TIME



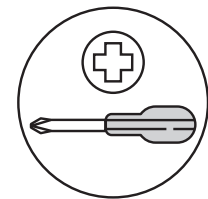
OF PEOPLE




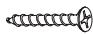
DIFFICULTY



REQUIRED TOOL
8MM / 5/16" DRILL BIT



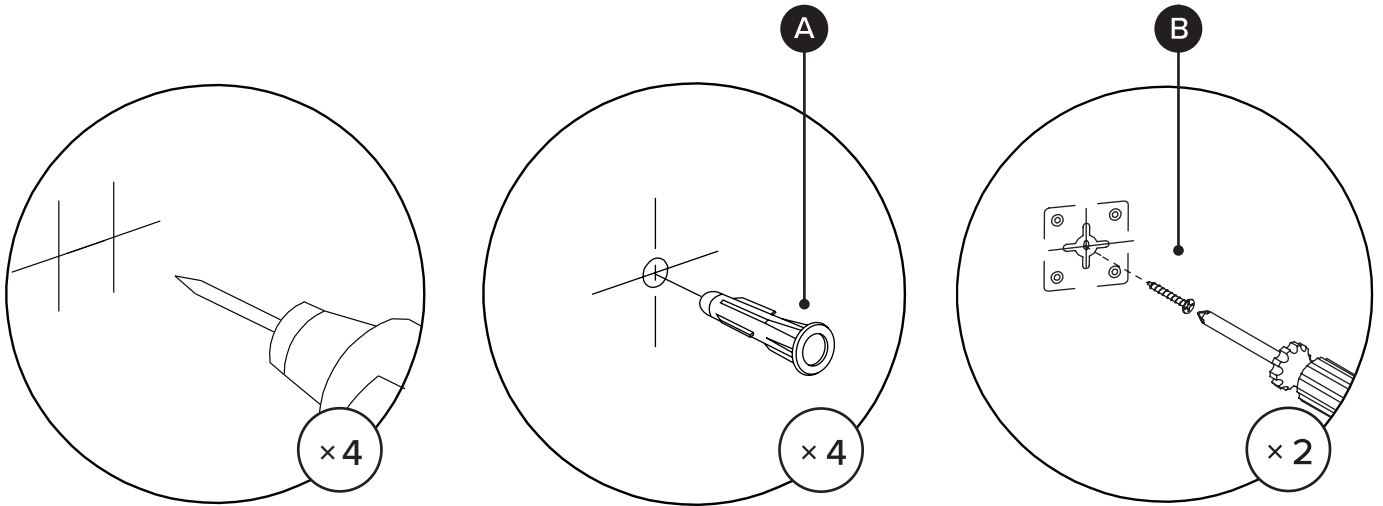
REQUIRED TOOL

PARTS INVENTORY		
ID	DESCRIPTION	QTY
A	PLUG 	4
B	M5 × 32MM SCREW 	4



Hardware (A/B) to attach brackets to wall is designed for drywall. To attach this unit to another type of wall, consult with your local hardware store.

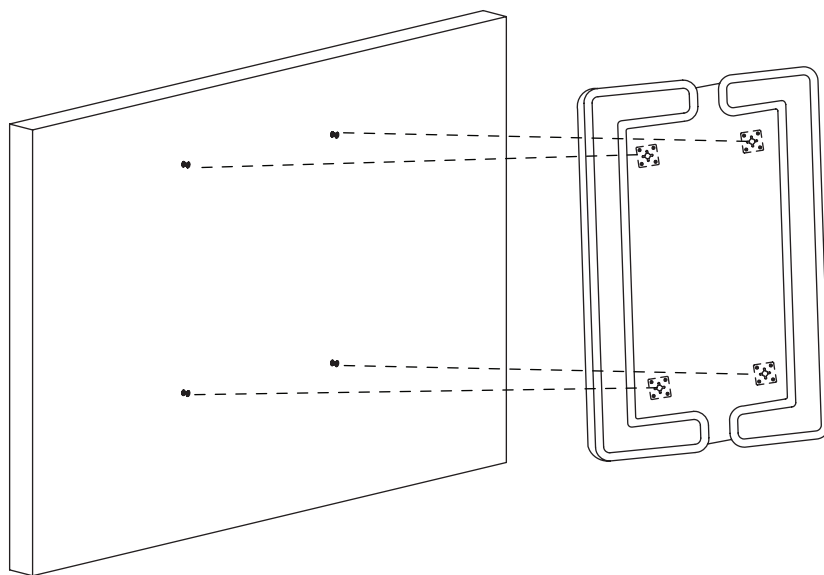
1



Drill holes in wall using
8mm / 5/16" drill bit.

2

! Hang the mirror on
the screws.



3

