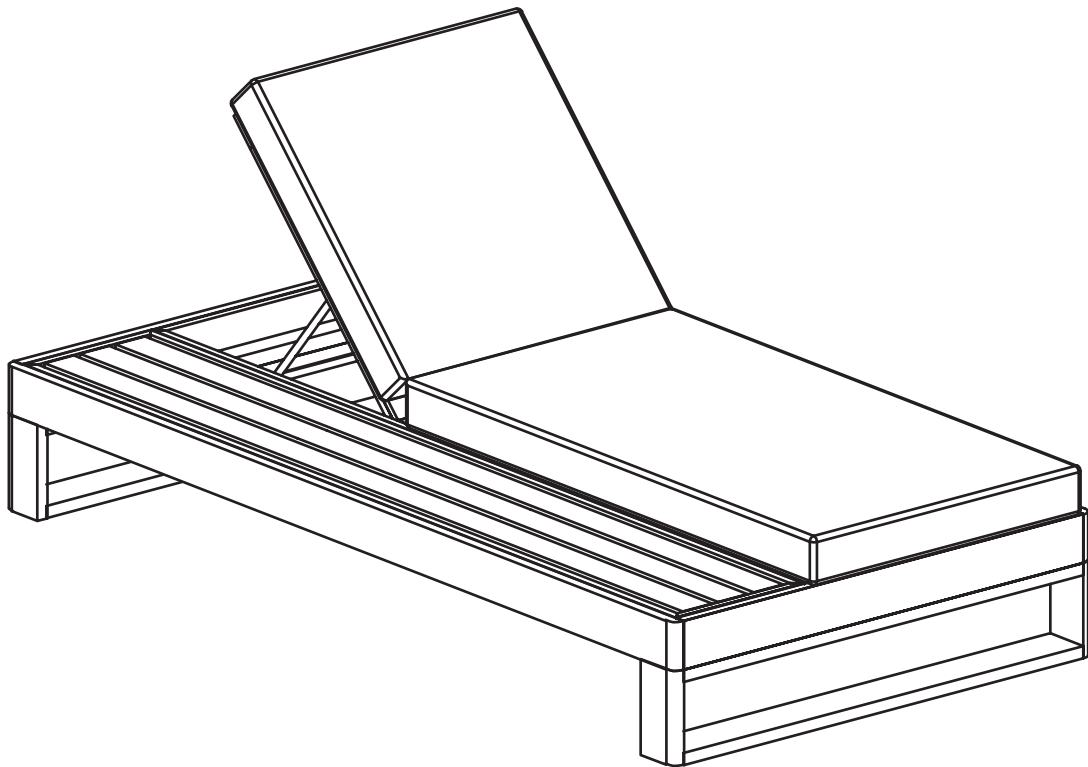


ARTICLE.

VERSION 1.0

Assembly Instructions



TORO

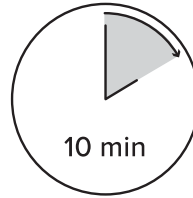
Chaise Lounge

ASSEMBLY INSTRUCTIONS

Read these instructions carefully and keep for future reference. Refer to parts inventory for guidance, and ensure you have all pieces before starting.

When assembling, place all parts on a soft, clean, and flat surface such as a carpet to prevent scratches.

If you're having difficulty, our friendly Customer Care team is always here to help. Call us at **1.888.746.3455** during business hours, email service@article.com or chat live at [article.com](https://www.article.com).

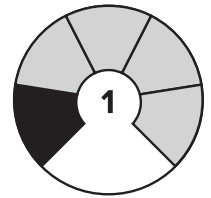


10 min

TIME







OF PEOPLE



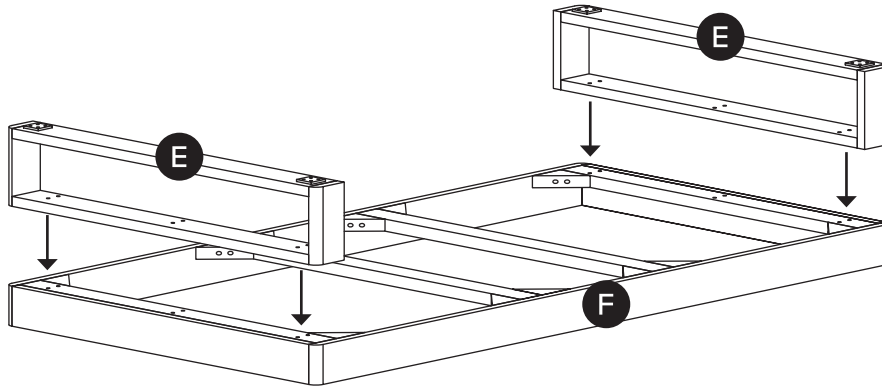
DIFFICULTY

! Hardware may loosen over time, check the bolts regularly and tighten if necessary.

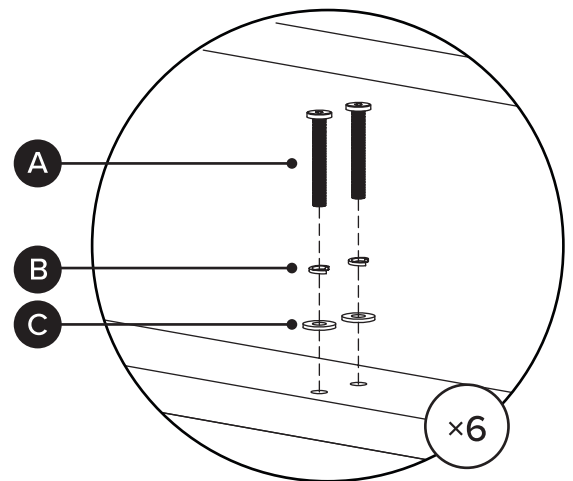
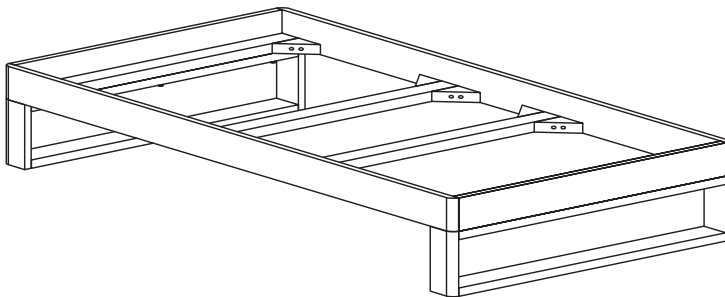
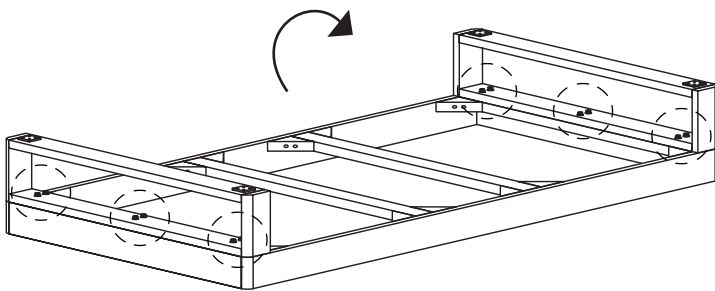
PARTS INVENTORY			
ID	DESCRIPTION		QTY
A	BOLT		12
B	LOCK WASHER		12
C	WASHER		12
D	ALLEN KEY		2

PARTS INVENTORY CONT.		
ID	DESCRIPTION	QTY
E	LEG	2
F	BASE	1
G	CHAISE LOUNGE FRAME	1
H	SIDE TABLE	1
I	CUSHION	1

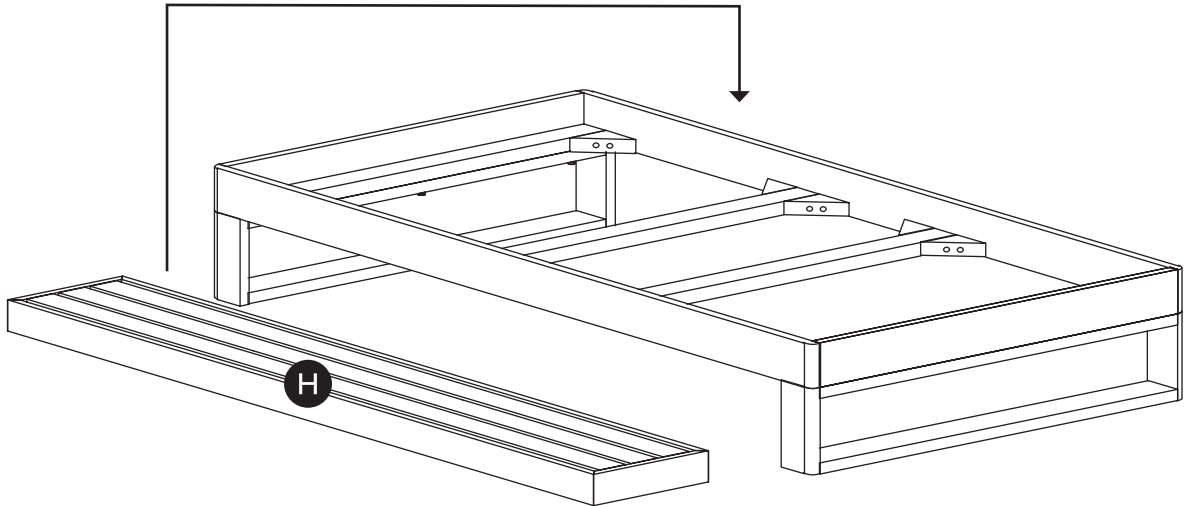
1



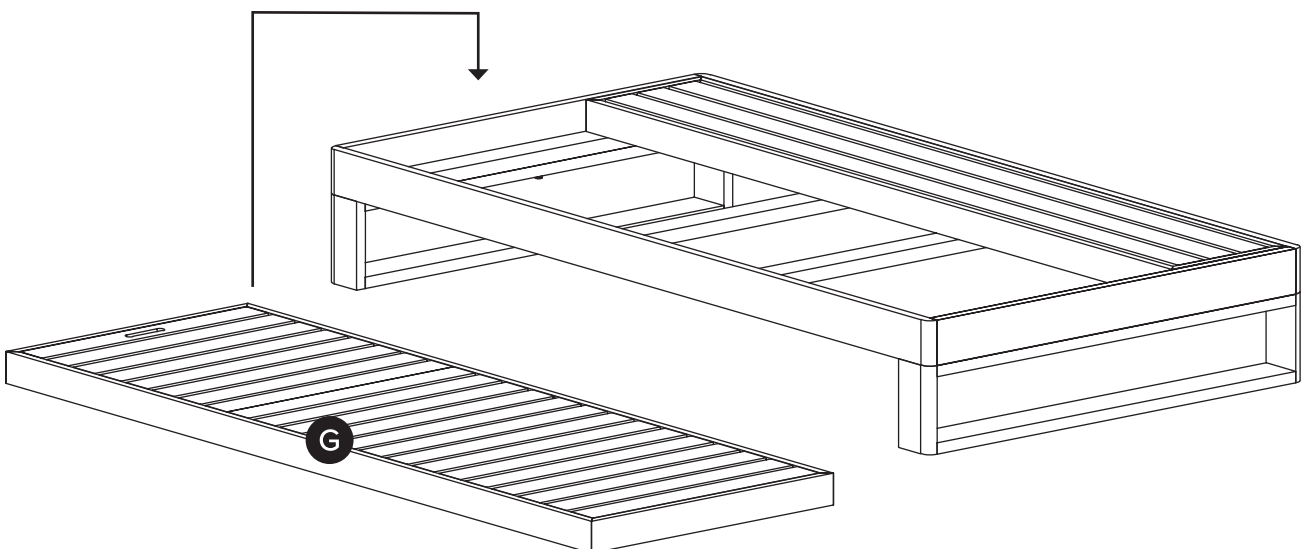
2



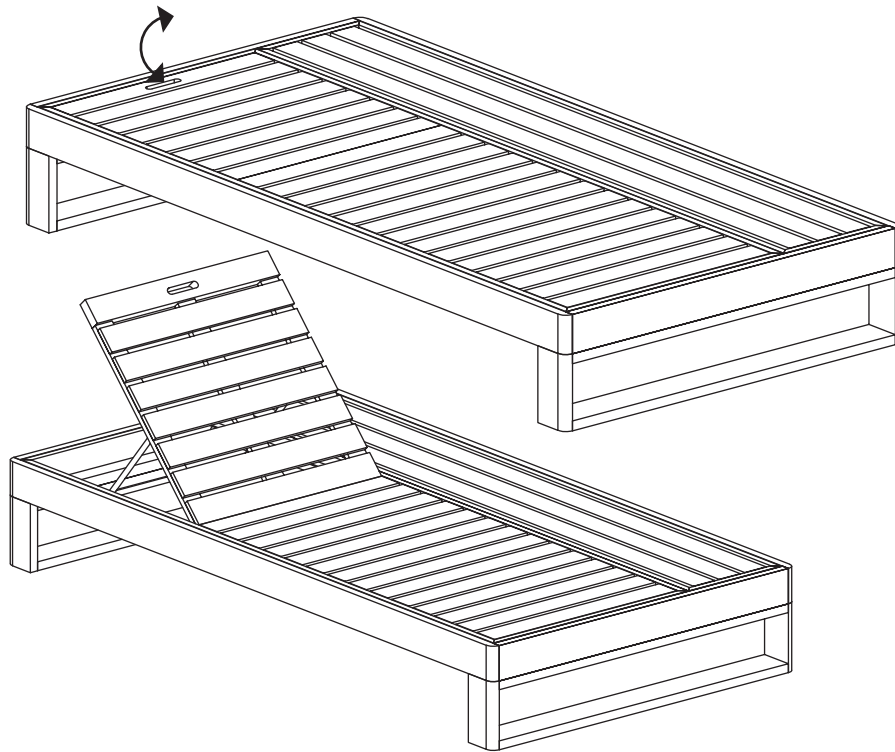
3



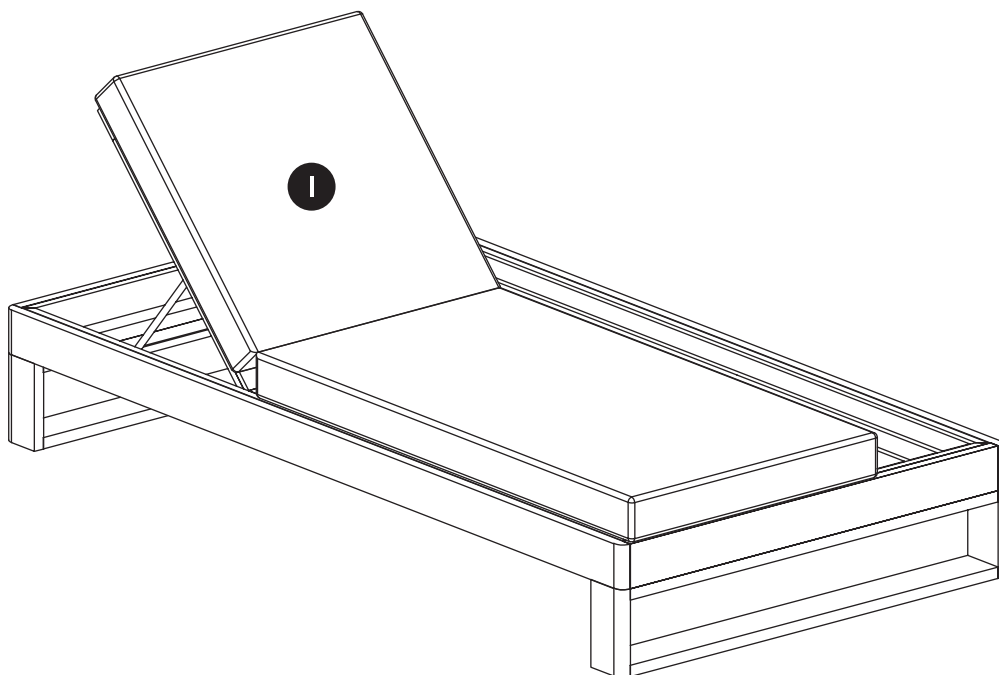
4



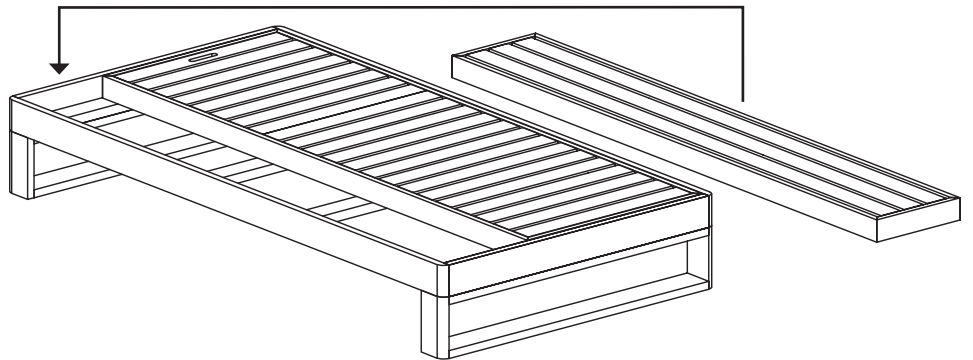
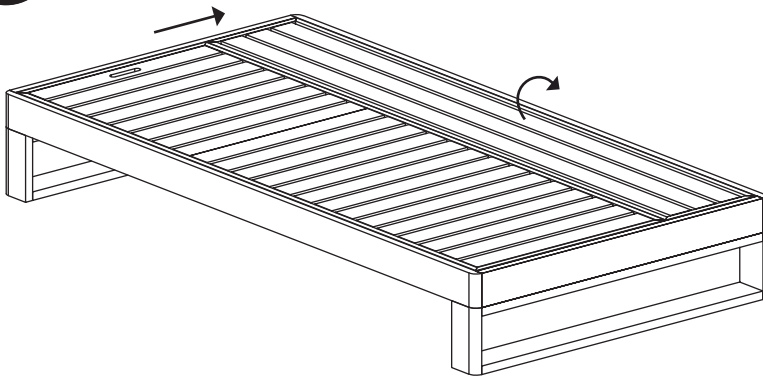
5



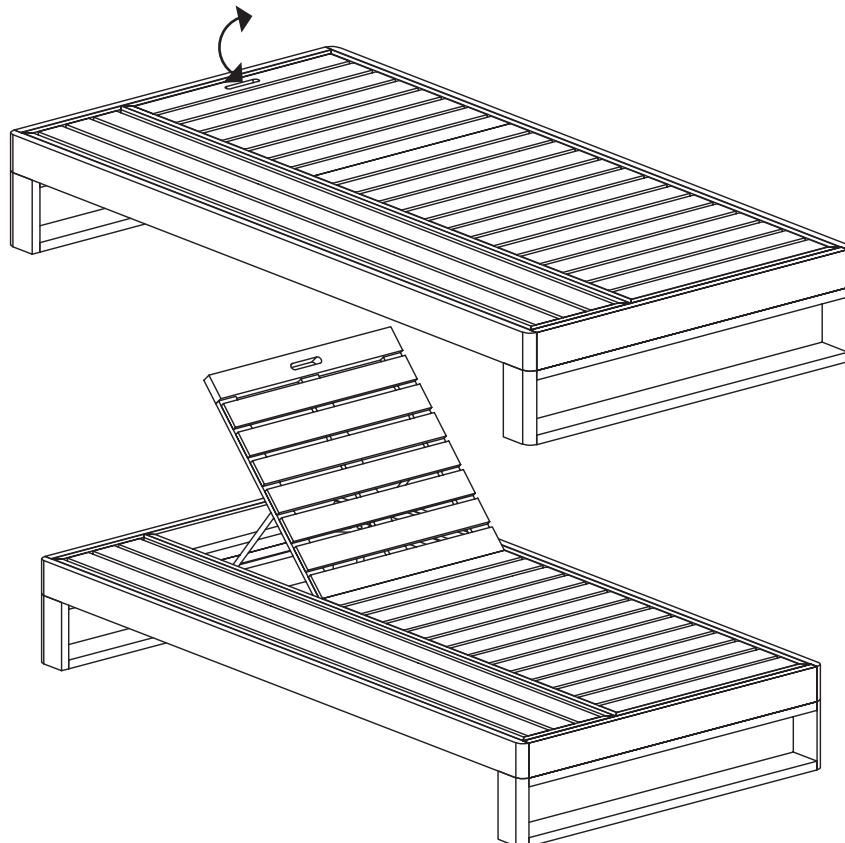
6



7



8



8

