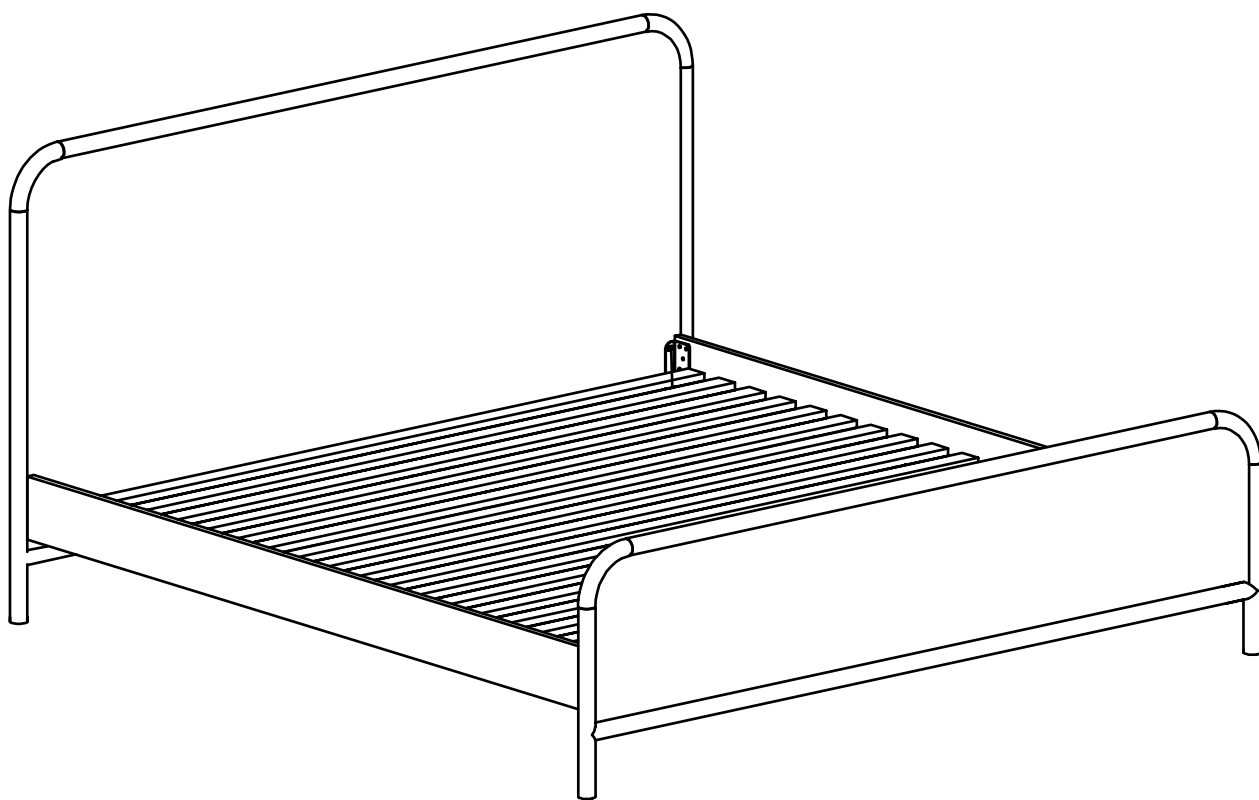


ARTICLE.

VERSION 2.0

Assembly Instructions



FAYDRA

Bed

ASSEMBLY INSTRUCTIONS

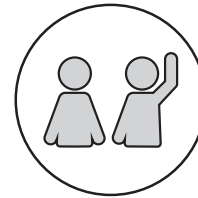
Read these instructions carefully and keep for future reference. Refer to parts inventory for guidance, and ensure you have all pieces before starting.

When assembling, place all parts on a soft, clean, and flat surface such as a carpet to prevent scratches.

If you're having difficulty, our friendly Customer Care team is always here to help. Call us at 1.888.746.3455 during business hours, emailservice@article.com or chat live at article.com.



TIME



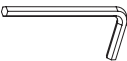








OF PEOPLE



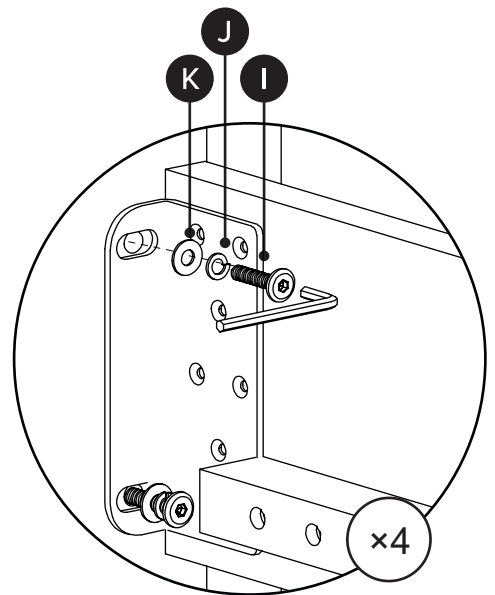
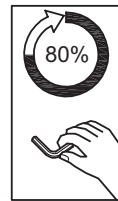
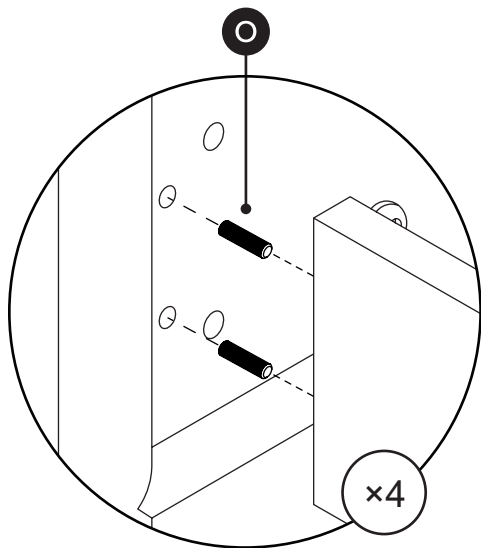
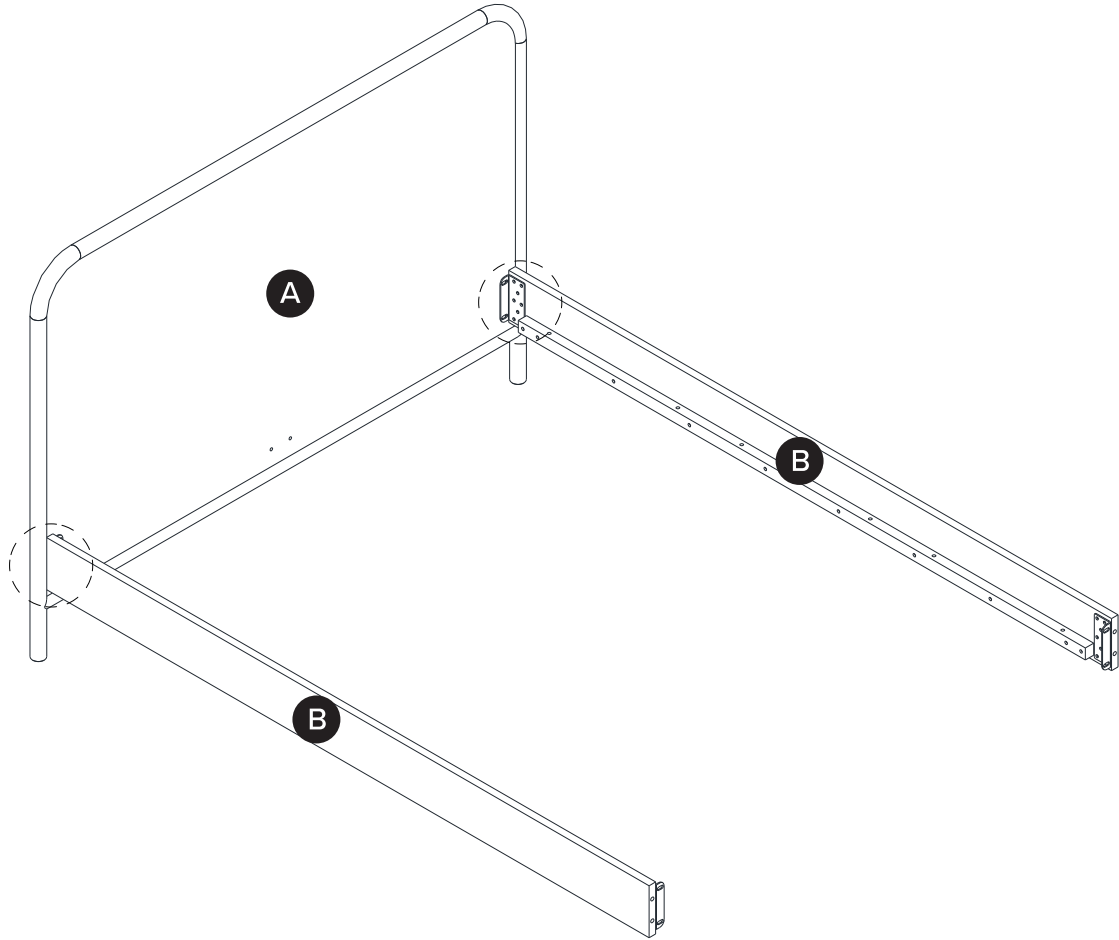
DIFFICULTY



PARTS INVENTORY		
ID	DESCRIPTION	QTY
A	HEADBOARD	1
B	SIDE FRAME	2
C	FOOTBOARD	1
D	CENTER FRAME	1
E	CENTER LEG	2
F	SLATS	3

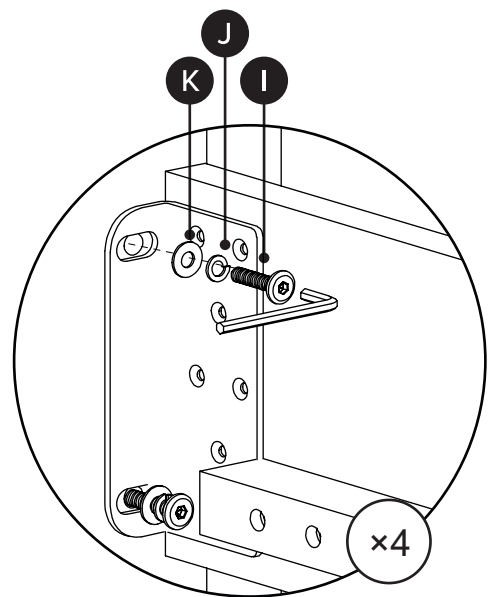
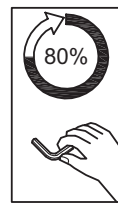
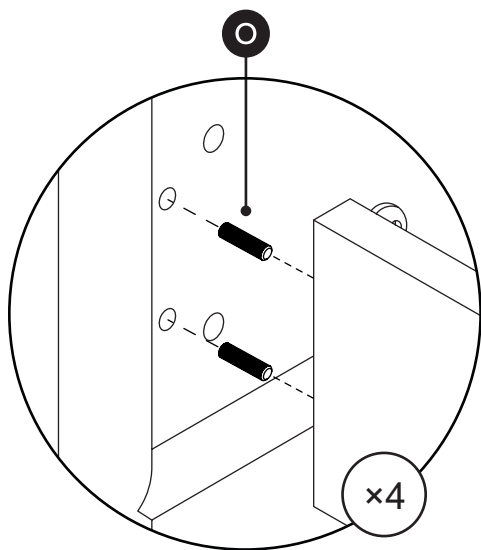
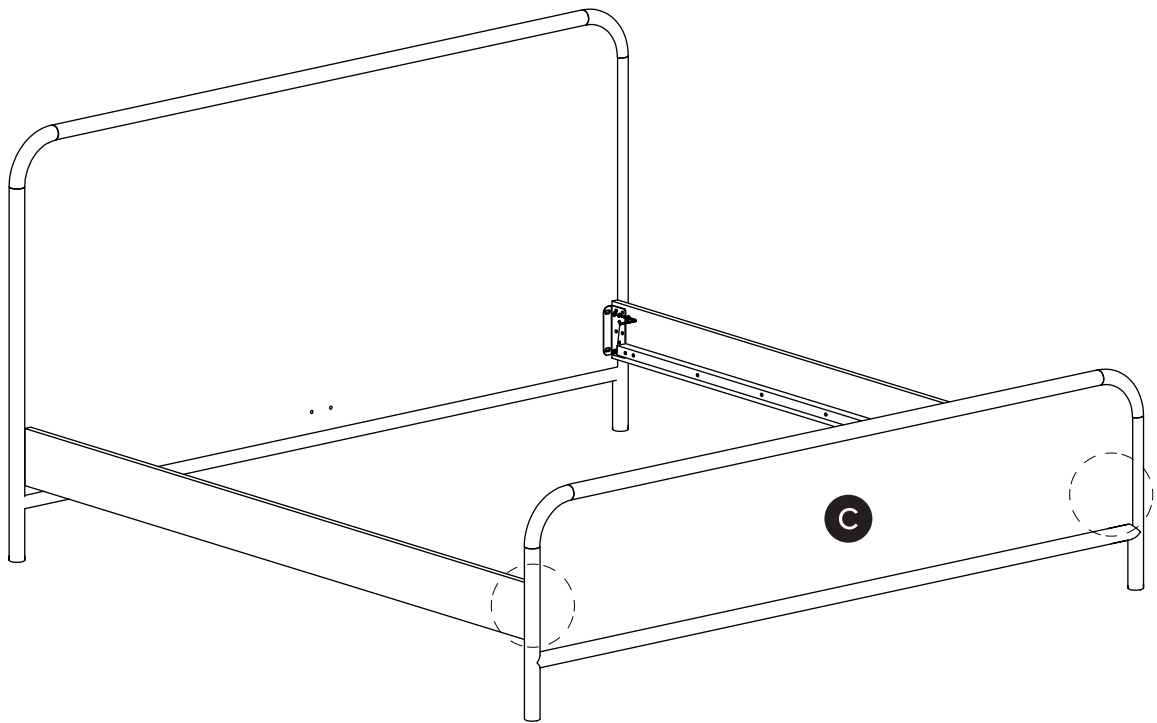
PARTS INVENTORY CONT.		
ID	DESCRIPTION	QTY
G	ALLEN KEY 	1
H	M6 × 15MM BOLT 	8
I	M8 × 20MM BOLT 	8
J	M8 LOCK WASHER 	8
K	M8 WASHER 	8
L	M6 × 35MM BOLT 	12
M	M6 LOCK WASHER 	20
N	M6 WASHER 	20
O	WOOD DOWEL 	8

2



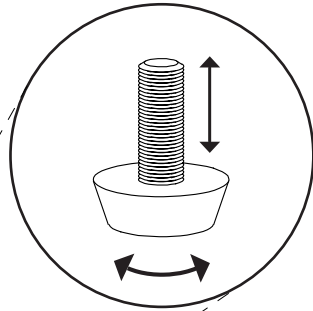
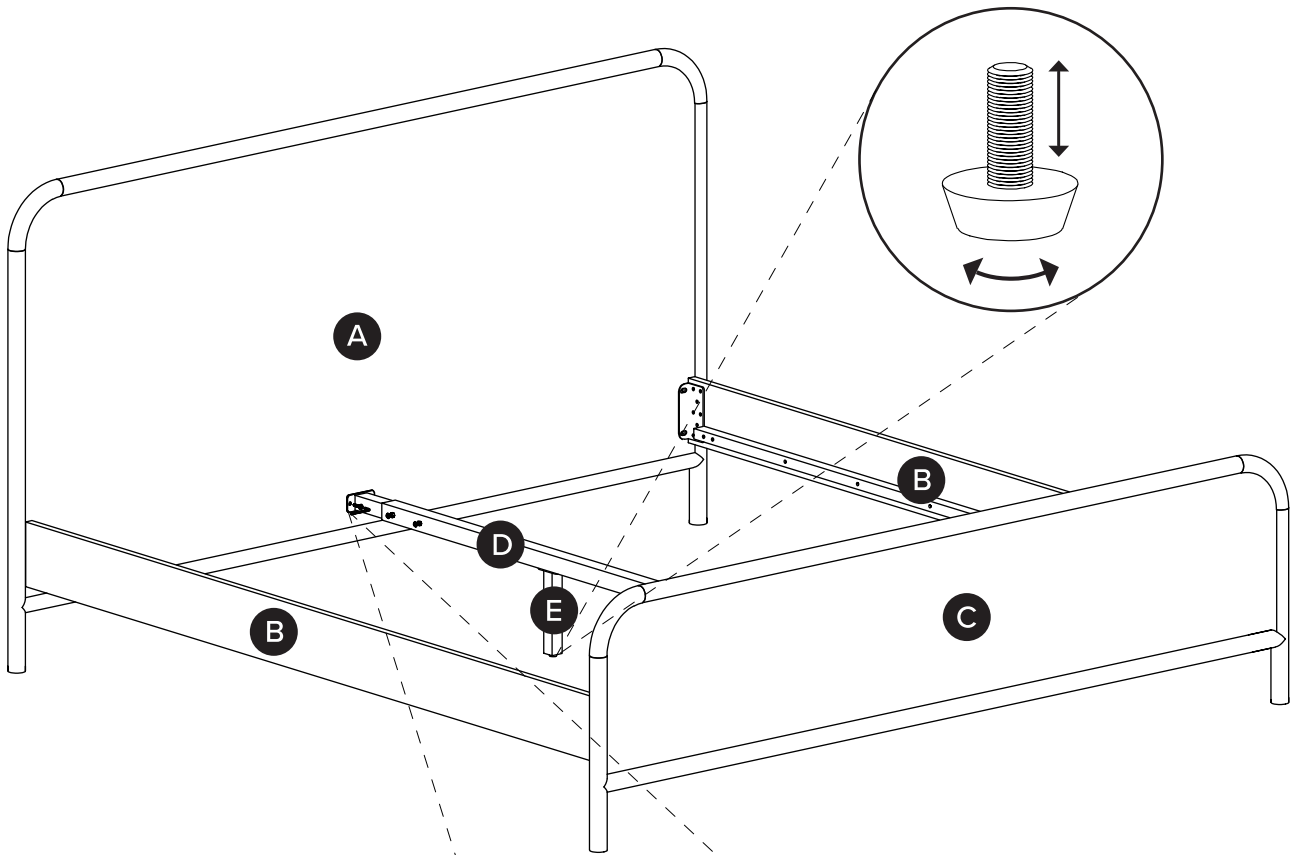
! Do not fully tighten bolts.

3

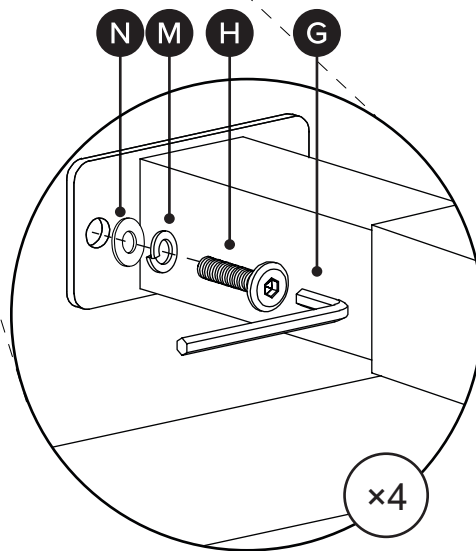


4

! Adjust levelers as needed.



! Fully tighten bolts on each corner after assembling the center frame.



5

