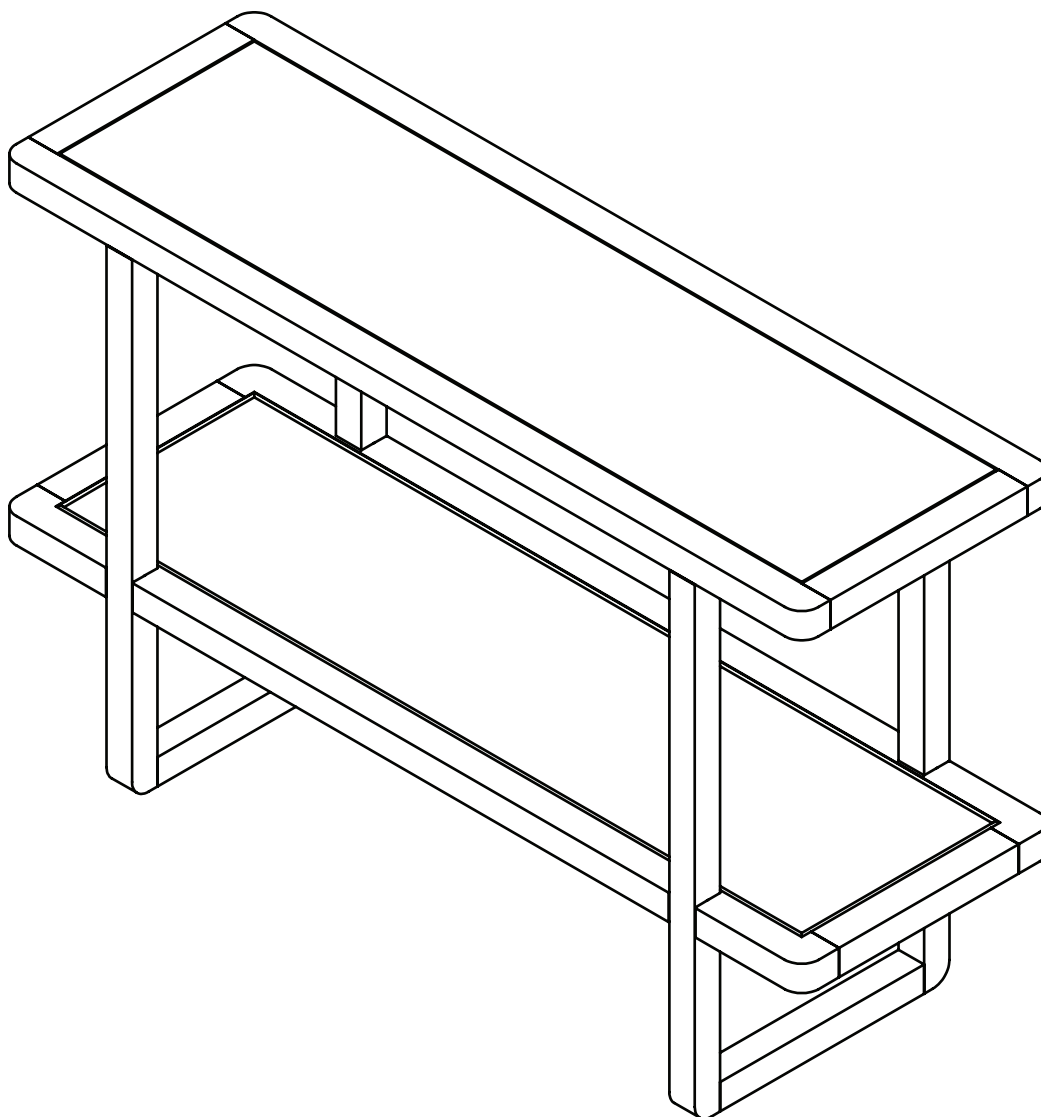


ARTICLE.

VERSION 1.0

Assembly Instructions



OLALLA

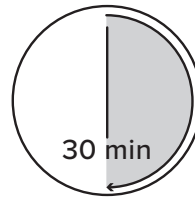
Console

ASSEMBLY INSTRUCTIONS

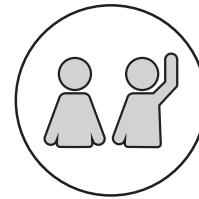
Read these instructions carefully and keep for future reference. Refer to parts inventory for guidance, and ensure you have all pieces before starting.

When assembling, place all parts on a soft, clean, and flat surface such as a carpet to prevent scratches.

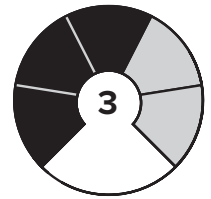
If you're having difficulty, our friendly Customer Care team is always here to help. Call us at **1.888.746.3455** during business hours, email service@article.com or chat live at [article.com](https://www.article.com).



TIME

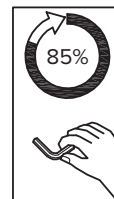


OF PEOPLE



DIFFICULTY

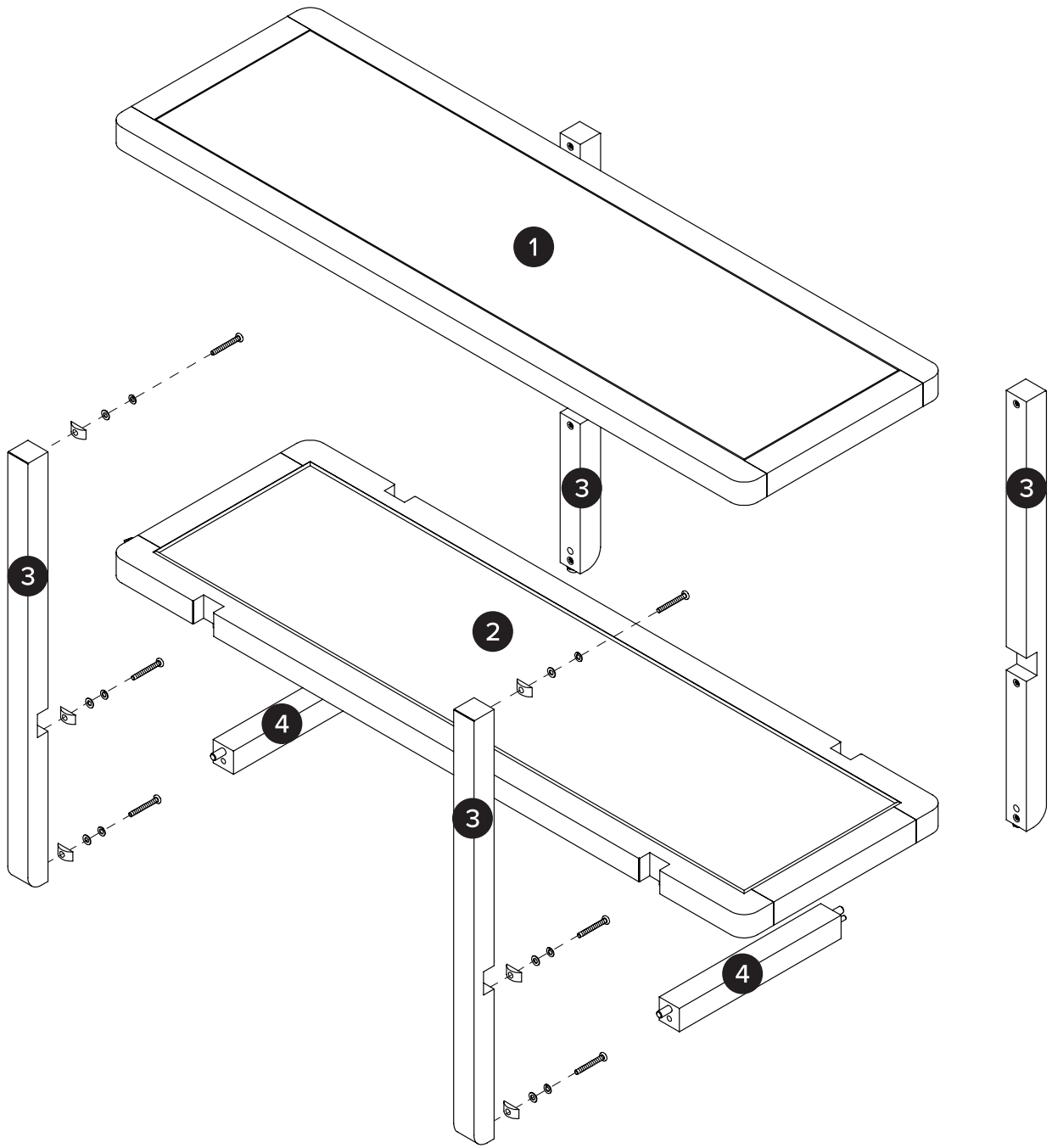
PARTS INVENTORY			
ID	DESCRIPTION		QTY
1	UPPER SHELF		1
2	LOWER SHELF		1
3	LEGS		4
4	LEG STRETCHERS		2
A	ALLEN KEY		1
B	M6 × 50MM BOLT		12
C	BLOCK WASHER M6		12
D	WASHER M6		12
E	WASHER 28 × 14.5		12



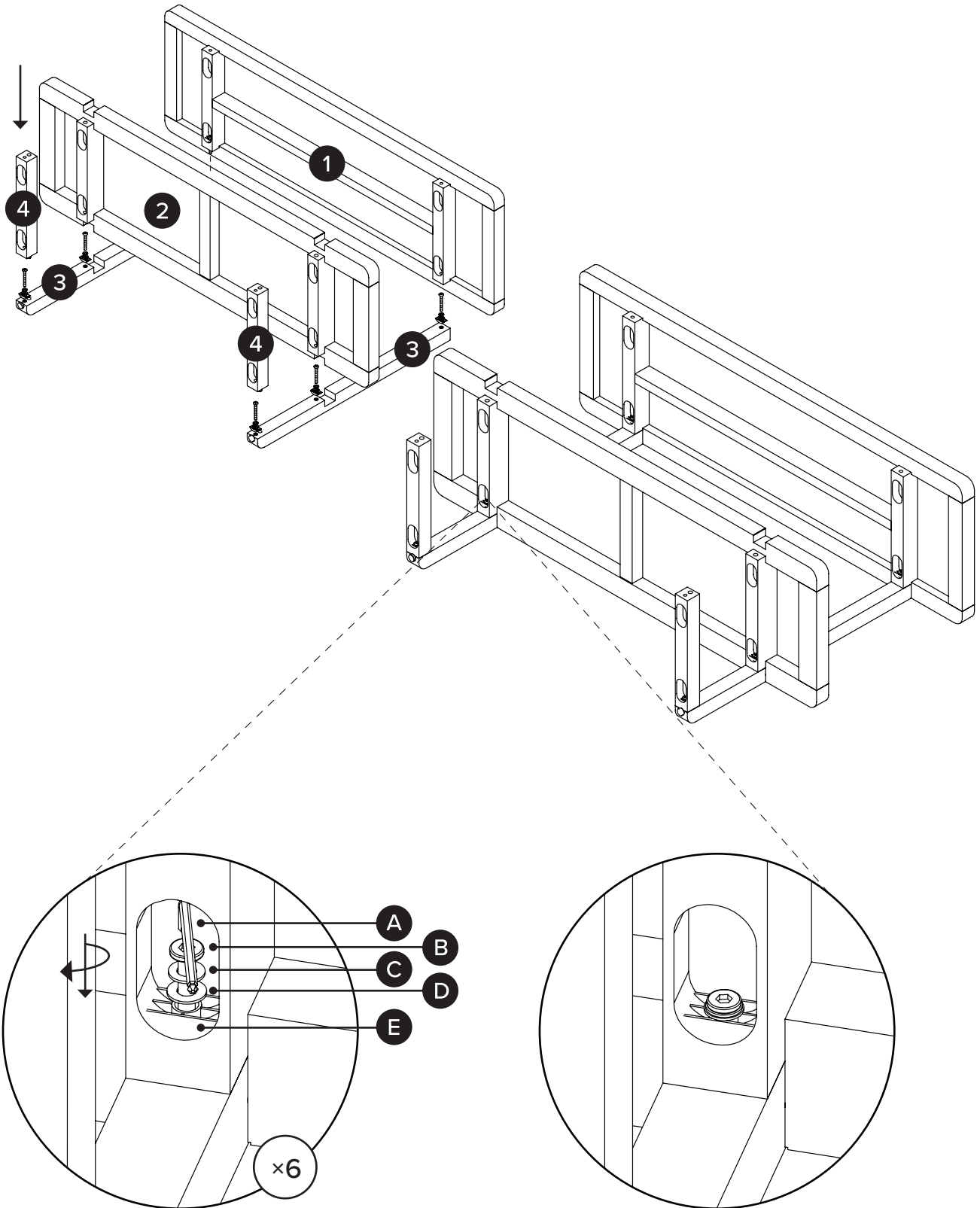
! Do not fully tighten bolts. Ensure all 4 legs are tightened 85%.



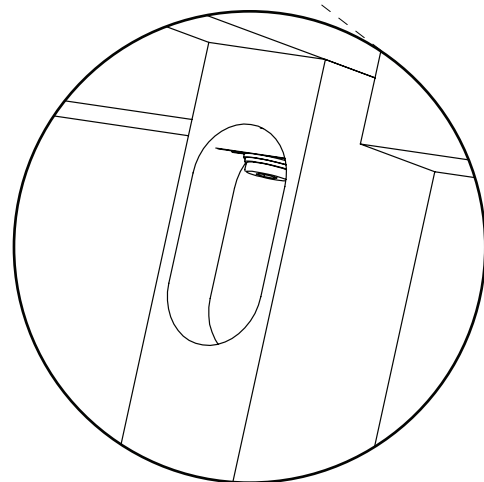
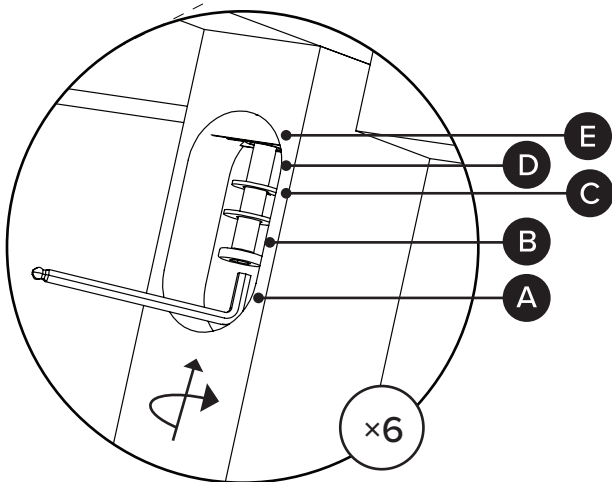
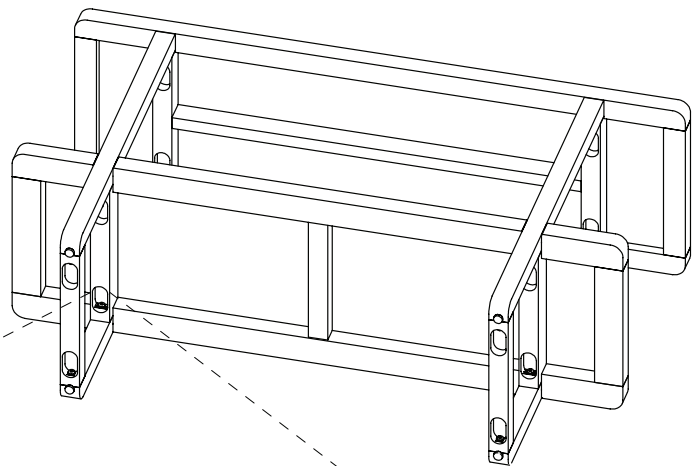
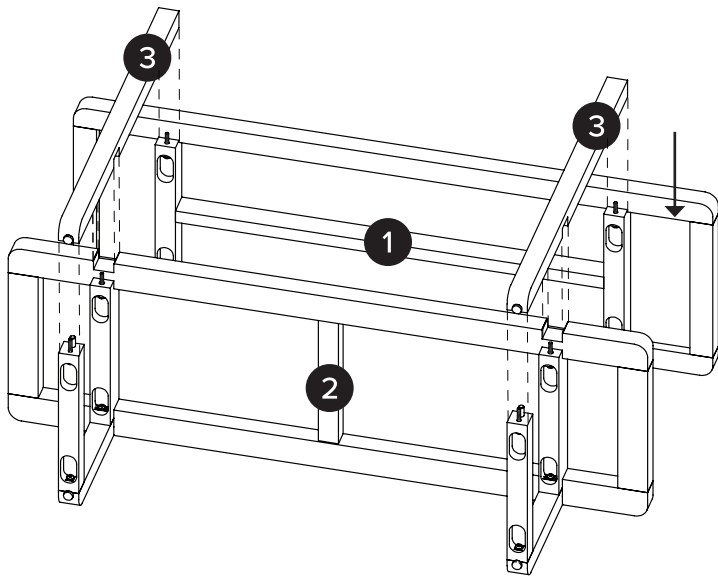
! Once all bolts are in place, fully tighten all four bolts on leg frames before turning the console upright.



1



2



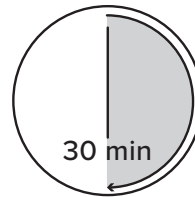


ANTI-TIP RESTRAINT INSTALLATION

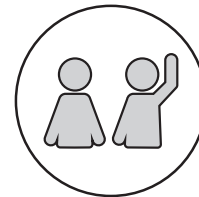
WARNING!

Children have died from furniture tipover.
To reduce the risk of furniture tipover:

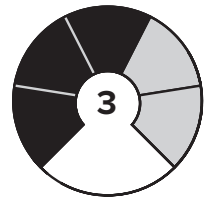
- ALWAYS install tipover restraint provided.
- NEVER put a TV on this product.
- NEVER allow children to stand, climb or hang on drawers, doors, or shelves.
- NEVER open more than one drawer at a time.
- Place heaviest items in the lower drawers.



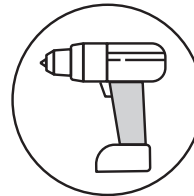
TIME



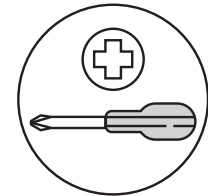
OF PEOPLE



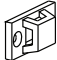

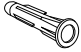
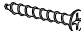

DIFFICULTY



REQUIRED TOOL
8MM / 5/16" DRILL BIT

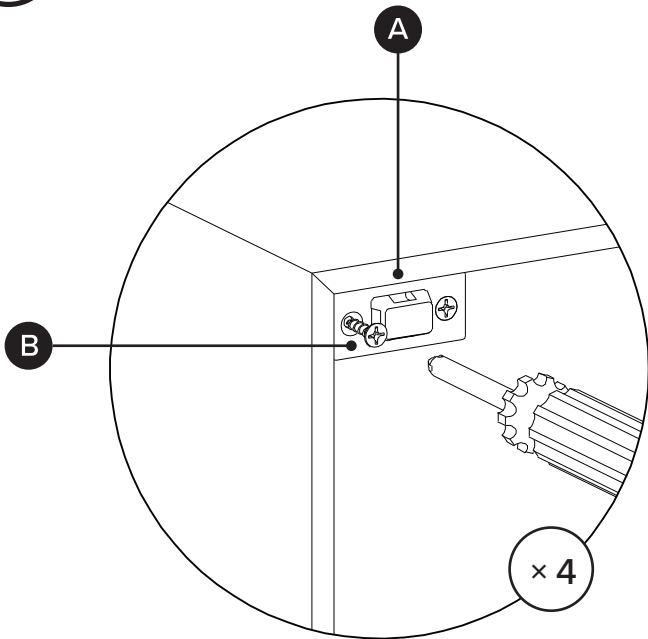


REQUIRED TOOL

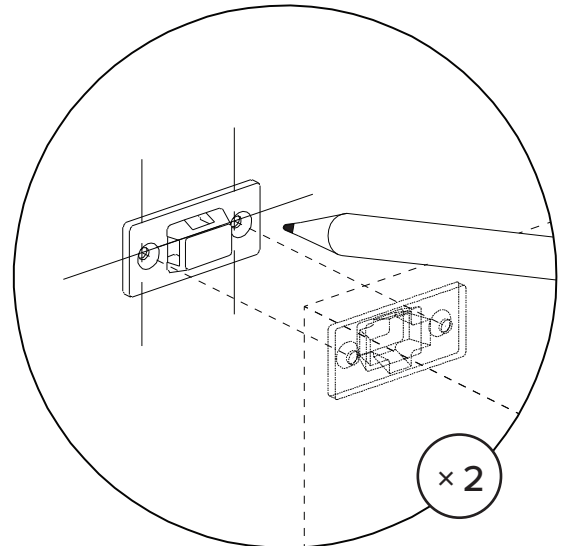
PARTS INVENTORY		
ID	DESCRIPTION	QTY
A	BRACKET 	4
B	M4 × 20MM SCREW 	4
C	M8 × 51MM PLUG 	4
D	M6 × 70MM SCREW 	4
E	STRAP 	2



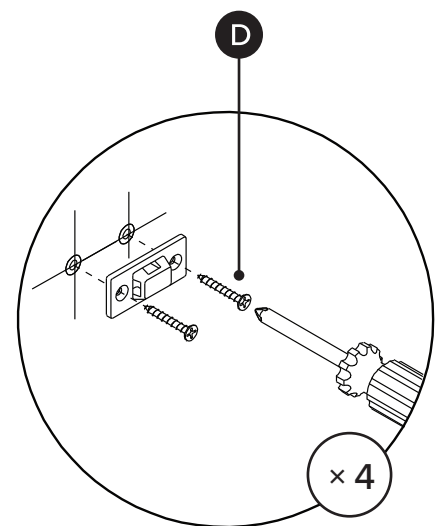
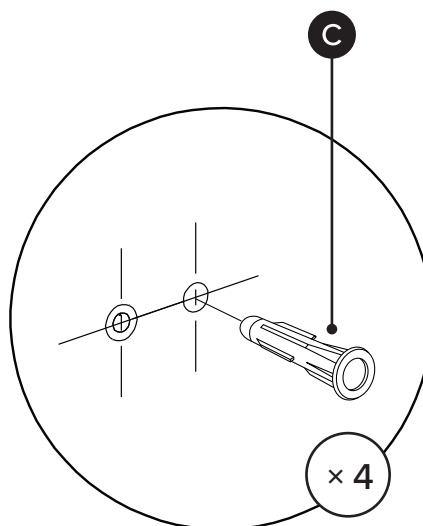
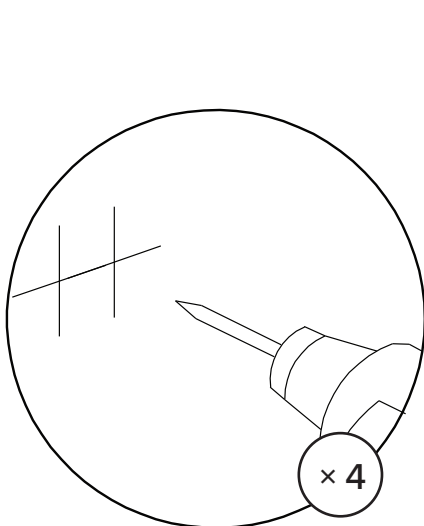
Hardware (C/D) to attach brackets to wall is designed for drywall. To attach this unit to another type of wall, consult with your local hardware store.



Attach pair of brackets to top corners of the back of the unit. Note there are no existing pilot holes on the product.



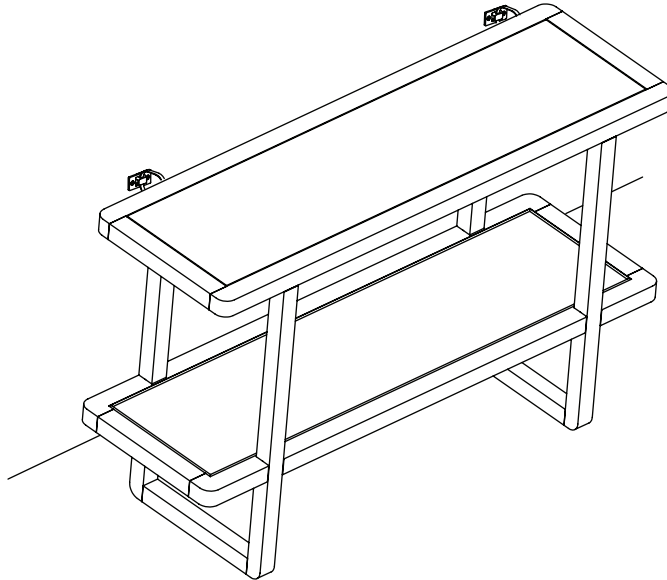
Mark on wall where second pair of brackets should be placed.



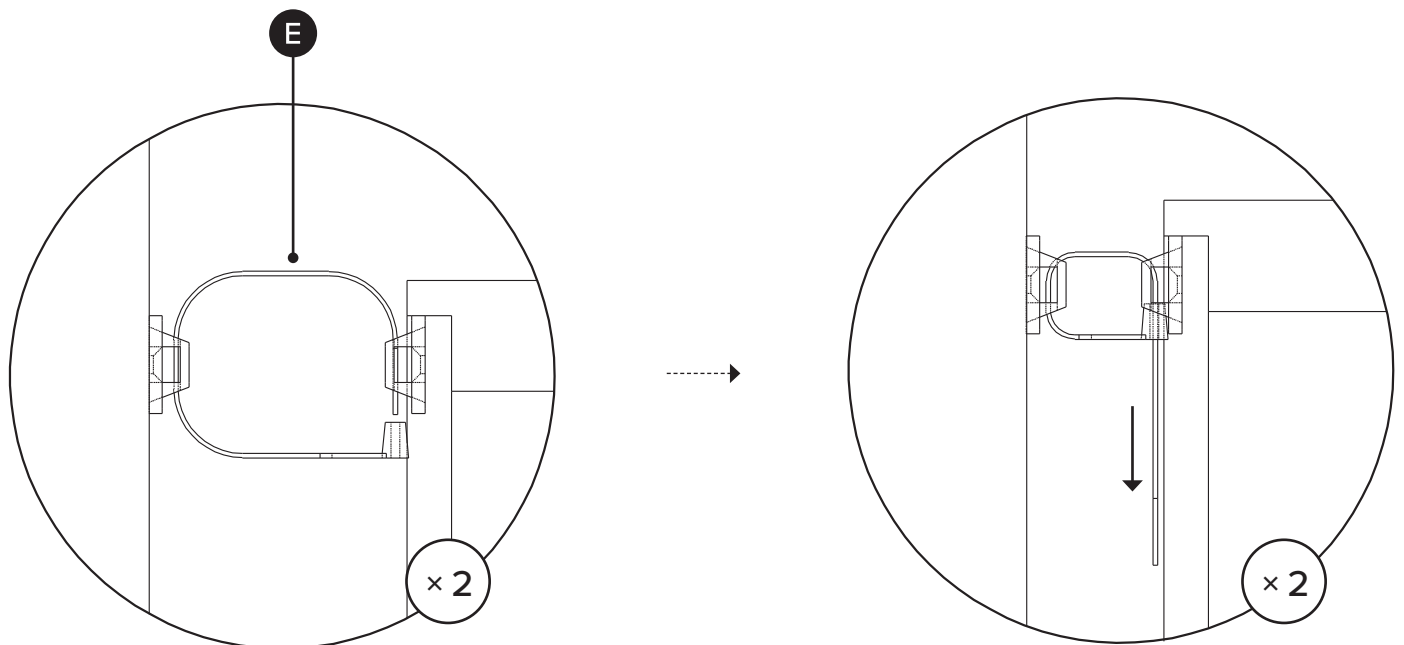
Drill holes in wall using 8mm / 5/16" drill bit.

4A

Align brackets on unit
with brackets on wall.



4B



Pull strap down until it snap-locks.