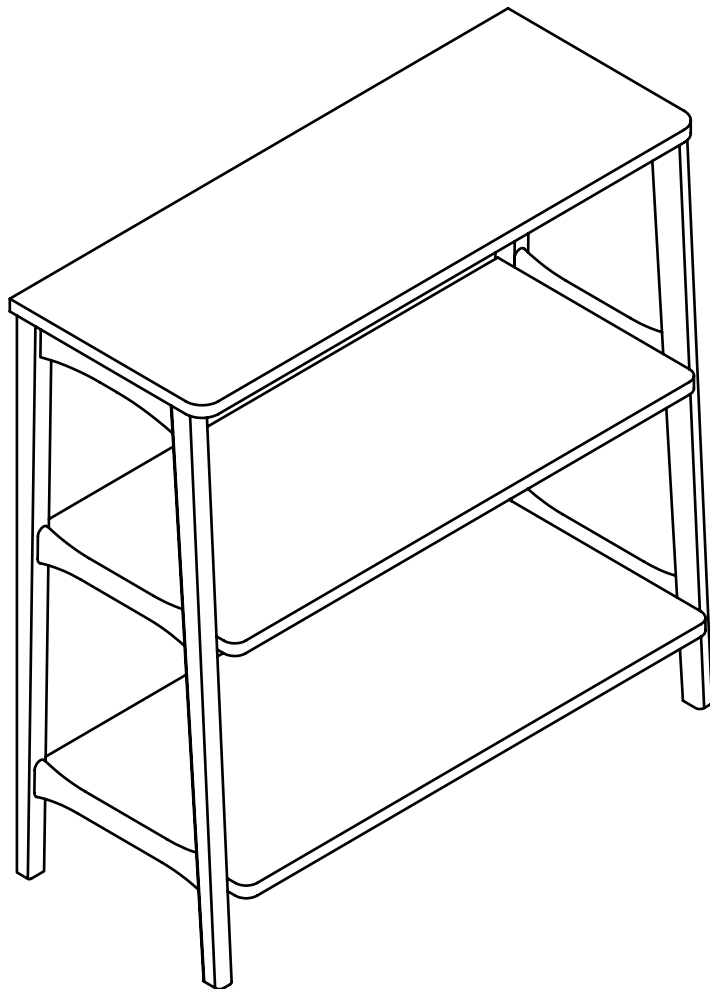


# ARTICLE.

VERSION 1.0

## Assembly Instructions



# KROSSA

35" Shelf



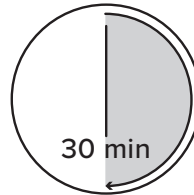
## ANTI-TIP RESTRAINT INSTALLATION

### WARNING!

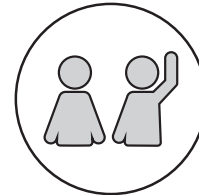
Serious or fatal crushing injuries can occur from furniture tip-over. To help prevent tip-over:

- Install tip-over restraint provided.
- Do not set heavy objects on top of this product, unless the product is specifically designed to accommodate them.
- Never allow children to climb or hang on mirrors, shelves, consoles, or cabinets with doors and/or drawers.

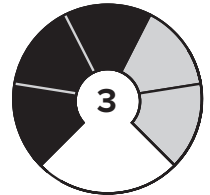
Use of tip-over restraints may only reduce but not eliminate, the risk of tip-over.



TIME



# OF PEOPLE

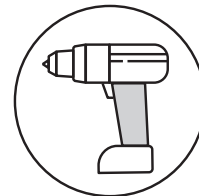


DIFFICULTY



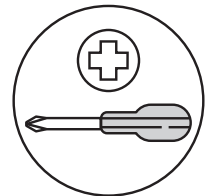
ANTI-TIP

Installation Required



REQUIRED TOOL

8MM / 5/16" DRILL BIT



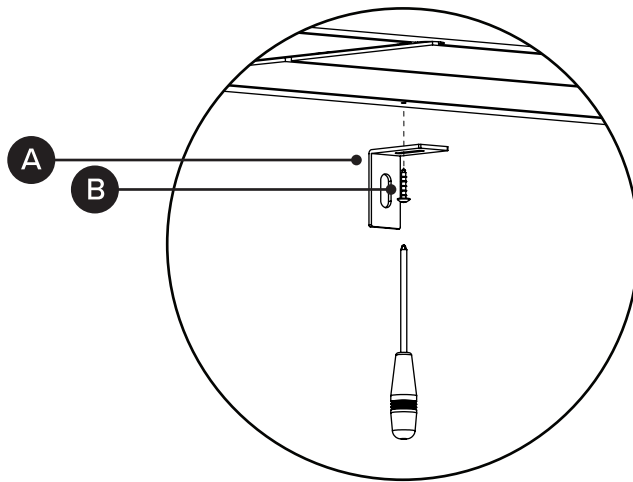
REQUIRED TOOL

Hardware (B/D) to attach brackets to wall is designed for drywall. To attach this unit to another type of wall, consult with your local hardware store.

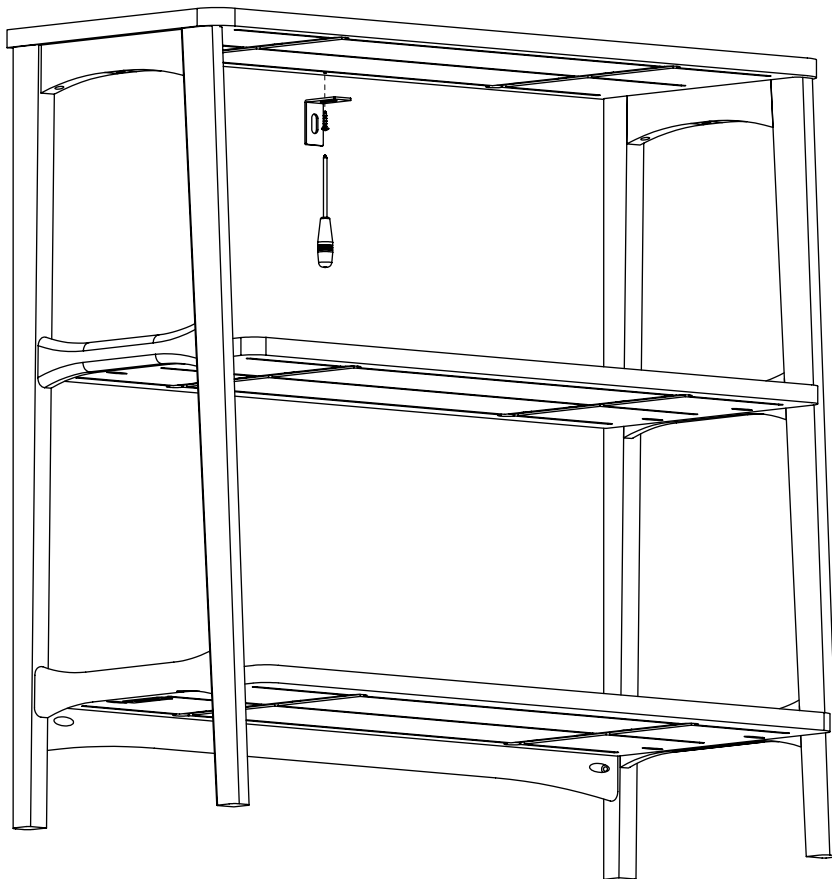
ANTI-TIP KIT INVENTORY			
ID	DESCRIPTION		QTY
<b>A</b>	BRACKET		1
<b>B</b>	M4 × 20MM SCREW		1
<b>C</b>	M8 × 51MM PLUG		1
<b>D</b>	M6 × 70MM SCREW		1

1

- ! Attach the bracket into the underside of the top shelf as shown in the illustration. use screw (B) to attach the bracket into the pre-drilled hole underside of top shelf.



Place unit in desired location and mark on wall where hole should be drilled.



2

! Drill hole into drywall, insert plug (C), and attach unit to wall.

