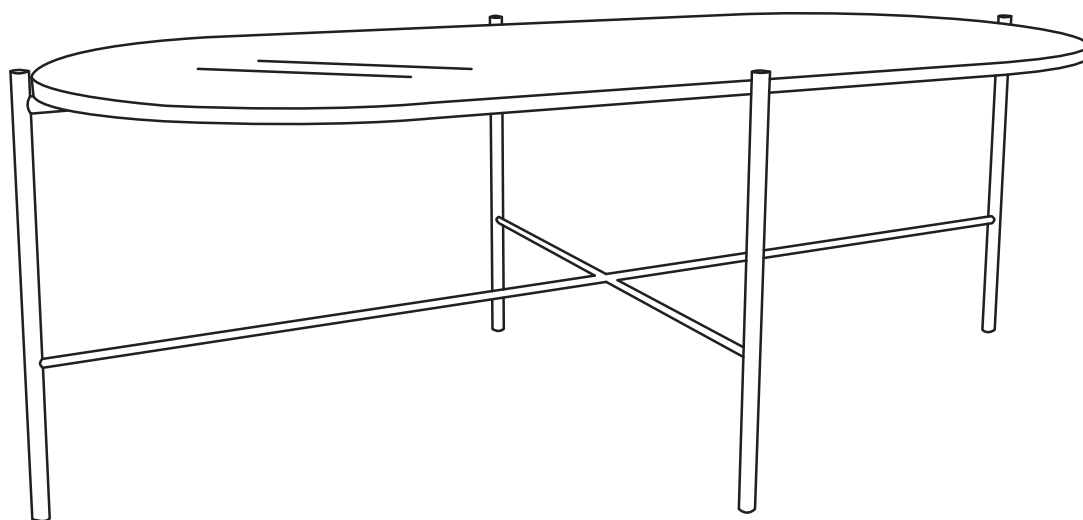


ARTICLE.

VERSION 1.3

Assembly Instructions



SILICUS

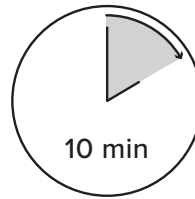
Oblong Coffee Table

ASSEMBLY INSTRUCTIONS

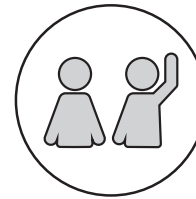
Read these instructions carefully and keep for future reference. Refer to parts inventory for guidance, and ensure you have all pieces before starting.

When assembling, place all parts on a soft, clean, and flat surface such as a carpet to prevent scratches.

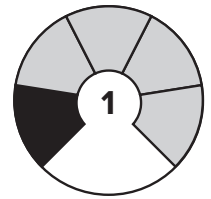
If you're having difficulty, our friendly Customer Care team is always here to help. Call us at **1.888.746.3455** during business hours, email service@article.com or chat live at article.com.



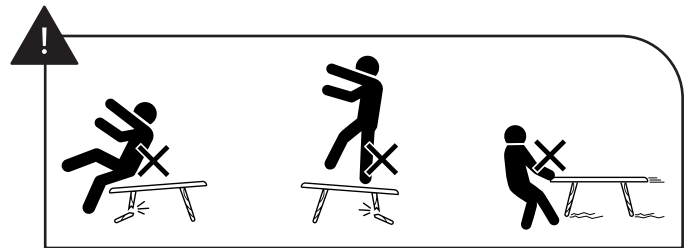
TIME




OF PEOPLE

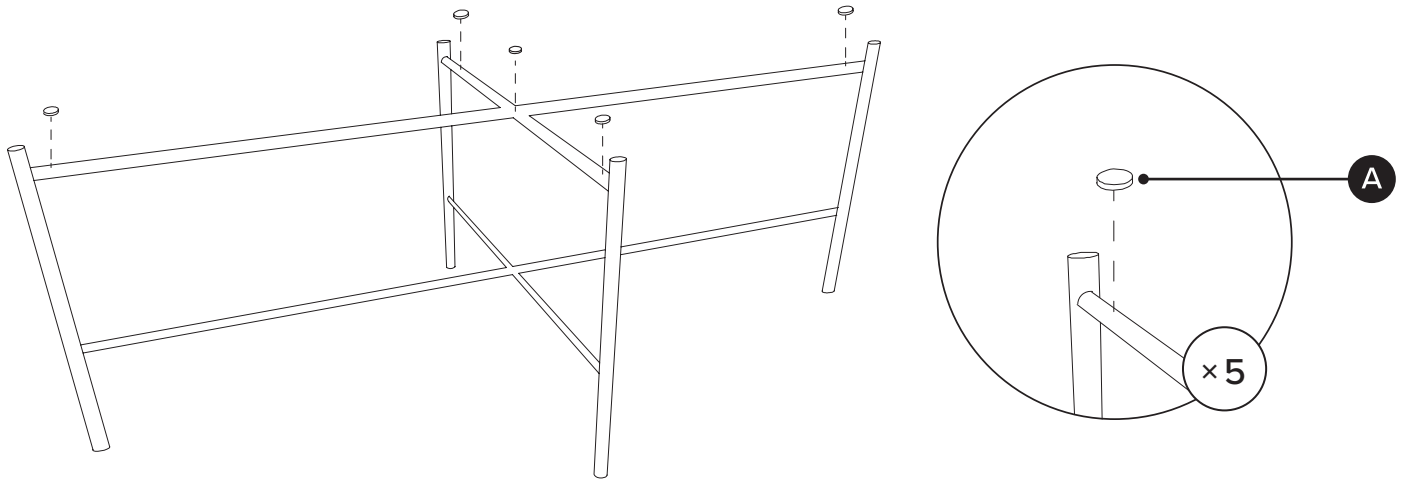


DIFFICULTY



PARTS INVENTORY		
ID	DESCRIPTION	QTY
A	PLASTIC PADS 	8
B	GLASS TABLE TOP	1
C	LEG FRAME	1

1



2

! With two people holding the glass table top (B), gently place on frame with 'tempered glass' side facing up. Be careful to ensure that the metal frame does not scratch the glass.

