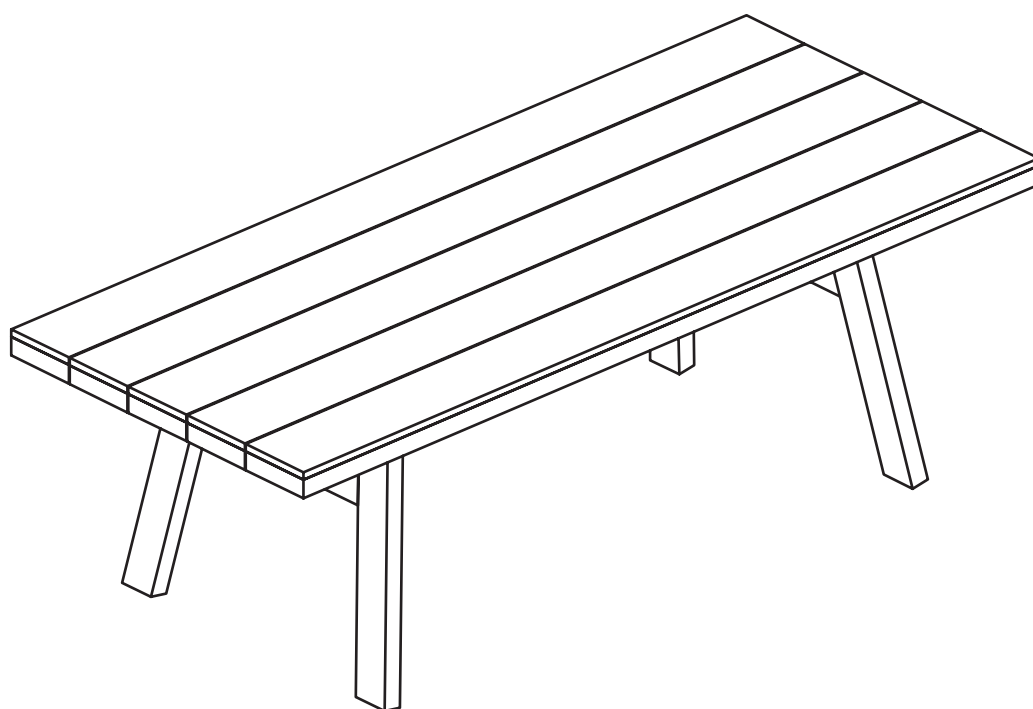


# ARTICLE.

VERSION 1.0

## Assembly Instructions



# SARDIS

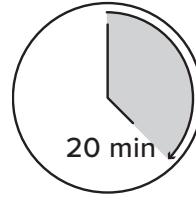
Dining Table For 6

## ASSEMBLY INSTRUCTIONS

Read these instructions carefully and keep for future reference. Refer to parts inventory for guidance, and ensure you have all pieces before starting.

When assembling, place all parts on a soft, clean, and flat surface such as a carpet to prevent scratches.

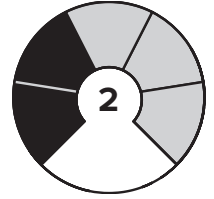
If you're having difficulty, our friendly Customer Care team is always here to help. Call us at **1.888.746.3455** during business hours, email [service@article.com](mailto:service@article.com) or chat live at [article.com](https://www.article.com).



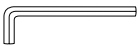




TIME



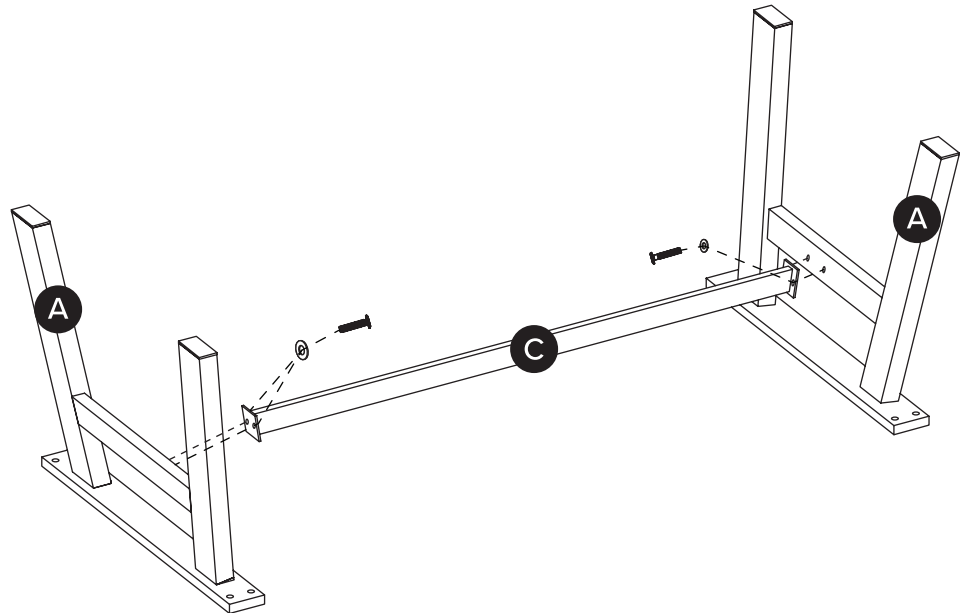
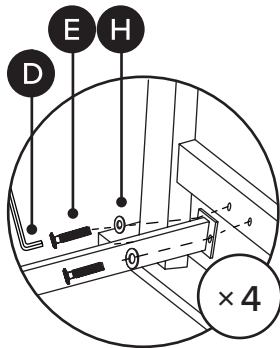
# OF PEOPLE



DIFFICULTY

PARTS INVENTORY		
ID	DESCRIPTION	QTY
<b>A</b>	LEG	2
<b>B</b>	TABLE TOP	1
<b>C</b>	STRETCHER	1
<b>D</b>	ALLEN KEY 	2
<b>E</b>	M6" x 25MM BOLT 	4
<b>F</b>	M6" x 55MM BOLT 	16
<b>G</b>	LOCK WASHER 	16
<b>H</b>	PLAIN WASHER 	20

1



2

